

SAFETY ORGANIZATION(S):

THIS FILTER HAS BEEN FORMALLY RECOGNIZED, CERTIFIED OR APPROVED BY THE LISTED AGENCY. THEREFORE, ALL TEST/REQUIREMENTS SPECIFIED IN THE LATEST REVISION OF THE FOLLOWING AGENCY STANDARDS HAVE BEEN MET:

UL RECOGNIZED
 CSA CERTIFIED
 VDE APPROVED

UL 1283
 CSA 22.2, NO.0,0.4,8
 VDE 565-3

OPERATING SPECIFICATIONS:

LINE VOLTAGE/CURRENT:
 20 AMP., 120/250 VAC
 16 AMP./40°C, 250 VAC
 50-60Hz
 40°C

LINE FREQUENCY:
 MAX. CASE RISE θ RATED CURRENT:
 MAX. LEAKAGE CURRENT, EACH
 LINE TO GROUND
 OPERATING AMBIENT TEMP. RANGE:
 -10°C TO +40°C θ RATED CURRENT, I_r

IN AN AMBIENT, T_a , HIGHER THAN 40°C, THE MAXIMUM OPERATING CURRENT, I_o , IS AS FOLLOWS:

$$I_o = I_r \sqrt{\frac{85-T_a}{45}}$$

RELIABILITY SPECIFICATIONS:

STORAGE TEMPERATURE:
 -40°C TO +85°C

HUMIDITY:
 21 DAYS θ 40°C 95% RH

CURRENT OVERLOAD TEST:
 6 TIMES RATED CURRENT FOR 8 SECONDS

TEST SPECIFICATIONS:

INDUCTANCE:
 1.76 mH NOMINAL

CAPACITANCE: (MEASURED θ 1 KHz, 0.25 VAC MAX., 25°C \pm 1°C)
 .013 μ F \pm 20%
 .013 μ F \pm 20%

LINE TO GROUND:
 LINE TO LINE:
 DISCHARGE RESISTOR:
 LINE/GROUND AND LINE/LINE
 INSULATION RESISTANCE
 (W/O DISCHARGE RESISTOR)
 330 K Ω
 6000 M Ω (MIN) AT 100 VDC
 20°C AND 50% RH

RECOMMENDED RECEIVING INSPECTION HIPOT:

LINES TO GROUND:
 2250 VDC FOR 1 MINUTE

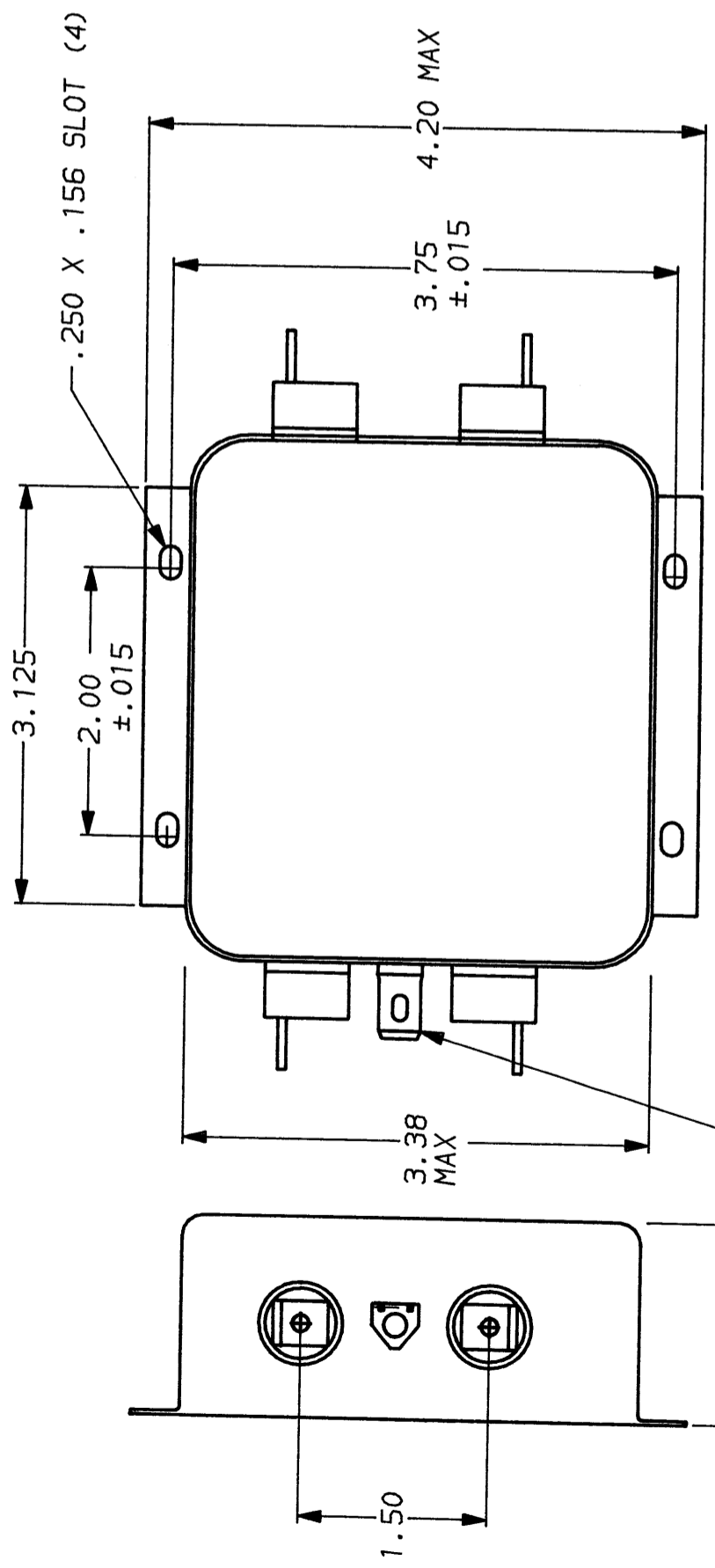
LINE TO LINE:
 1450 VDC FOR 1 MINUTE

FILTER APPROVAL:

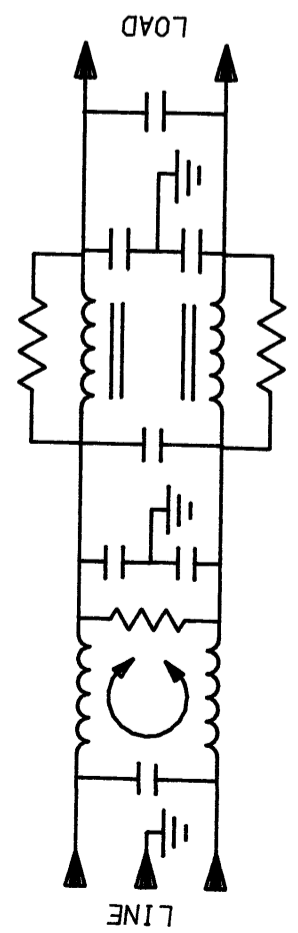
THE BEST WAY TO SELECT AND QUALIFY A FILTER IS FOR YOUR ENGINEERING TO TEST THE UNIT IN YOUR EQUIPMENT.

50 Ω - 50 Ω (MINIMUM)		INSERTION LOSS						
FREQUENCY MHZ	.15	.5	1	2	5	10	20	30
COMMON dB	19	35	35	40	65	65	57	47
DIFF. dB	28	65	65	65	65	60	50	45

This document is proprietary to CORCOM INC. and is not to be reproduced nor used for manufacturing purposes except on CORCOM's order or prior written consent.



.250 FASTON .069 \pm .003 HOLE
 (5 PLACES)



TOLERANCE EXCEPT AS NOTED

DECIMAL: .XXX .XX .X ANGLES \pm 1°
 ENGLISH: \pm .025
 METRIC: \pm —

MATERIAL:

AS SUPPLIED

FINISH:

AS SUPPLIED



POWER LINE FILTER

SCALE	DATE	DRG. NO.	REV.
NTS	9-12-89		
DRN. BY	ORIGINATOR		
TDL	CW		

20VW1.07

Mouser Electronics

Authorized Distributor

Click to View Pricing, Inventory, Delivery & Lifecycle Information:

[TE Connectivity:](#)

[20VW1](#)