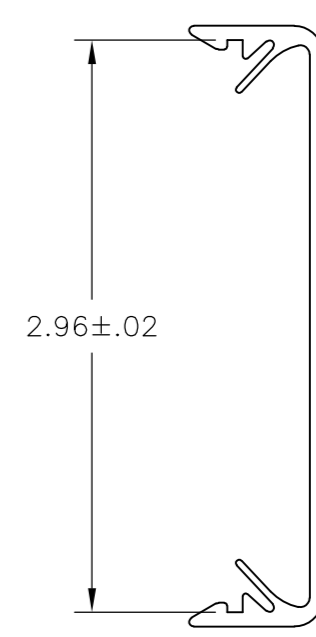
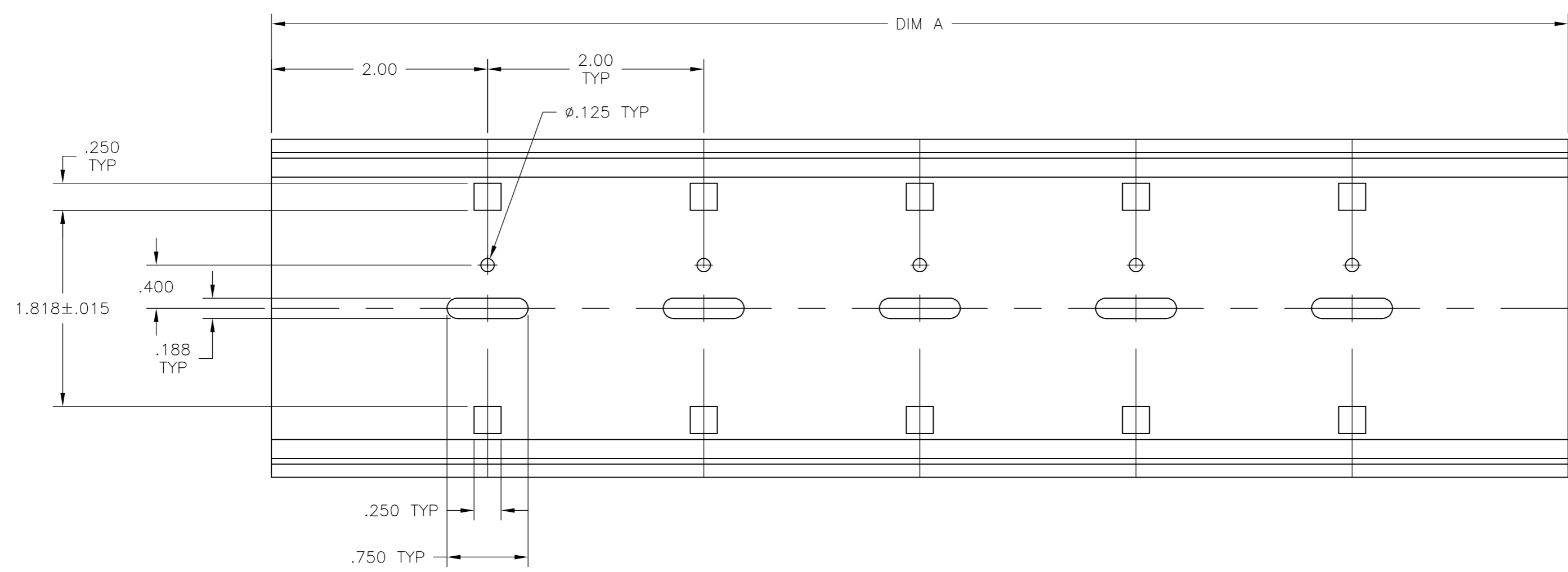


THIS DRAWING IS UNPUBLISHED. RELEASED FOR PUBLICATION
 © COPYRIGHT - By - ALL RIGHTS RESERVED.

LOC		DIST		REVISIONS			
P	LTR	DESCRIPTION	DATE	DWN	APVD		
	C	REVISED PER ECO-13-011850	13NOV2013	KH	MB		

- 1 ALL DIMENSIONS ARE ±.015 UNLESS OTHERWISE NOTED.
- 2 MATERIAL: RIGID, PVC, COLOR: GRAY
- 3 RECOMMENDED PC BOARD WIDTH 3.00"



	48.00	TK2D-48	9-1437685-1
OBSOLETE	24.00	TK2D-24	8-1437685-9
OBSOLETE	12.00	TK2D-12	8-1437685-8
	DIM A	CATALOG NUMBER	PART NUMBER

THIS DRAWING IS A CONTROLLED DOCUMENT.		DWN	S SCHLEGEL	5/6/09				
		CHK	C RICARD	5/6/09				
		APVD	C RICARD	5/6/09				
		PRODUCT SPEC						
DIMENSIONS:	TOLERANCES UNLESS OTHERWISE SPECIFIED:				NAME			
INCHES					TK2D SNAPTRACK			
	0 PLC ± -				SIZE	CAGE CODE	DRAWING NO	RESTRICTED TO
	1 PLC ± -				A2	00779	C-8-1437685-8	-
	2 PLC ± .02				CUSTOMER DRAWING			SCALE
	3 PLC ± .005							NTS
	4 PLC ± -							SHEET
	ANGLES ± 1°							1 of 1
MATERIAL	FINISH							REV
-	-							C

Mouser Electronics

Authorized Distributor

Click to View Pricing, Inventory, Delivery & Lifecycle Information:

[TE Connectivity:](#)

[9-1437685-1](#)