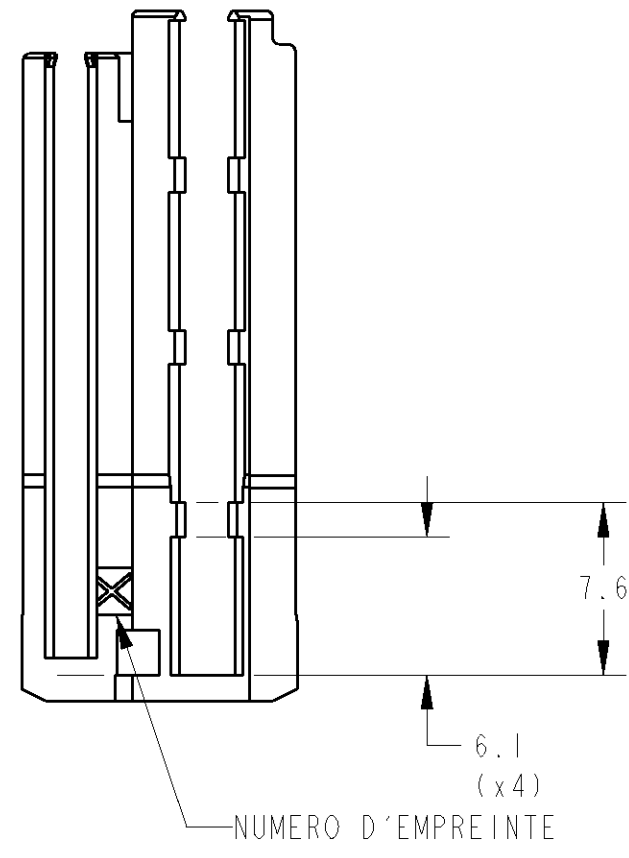
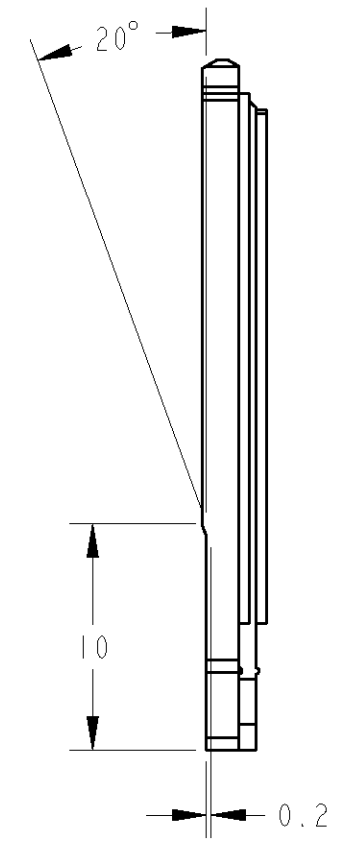
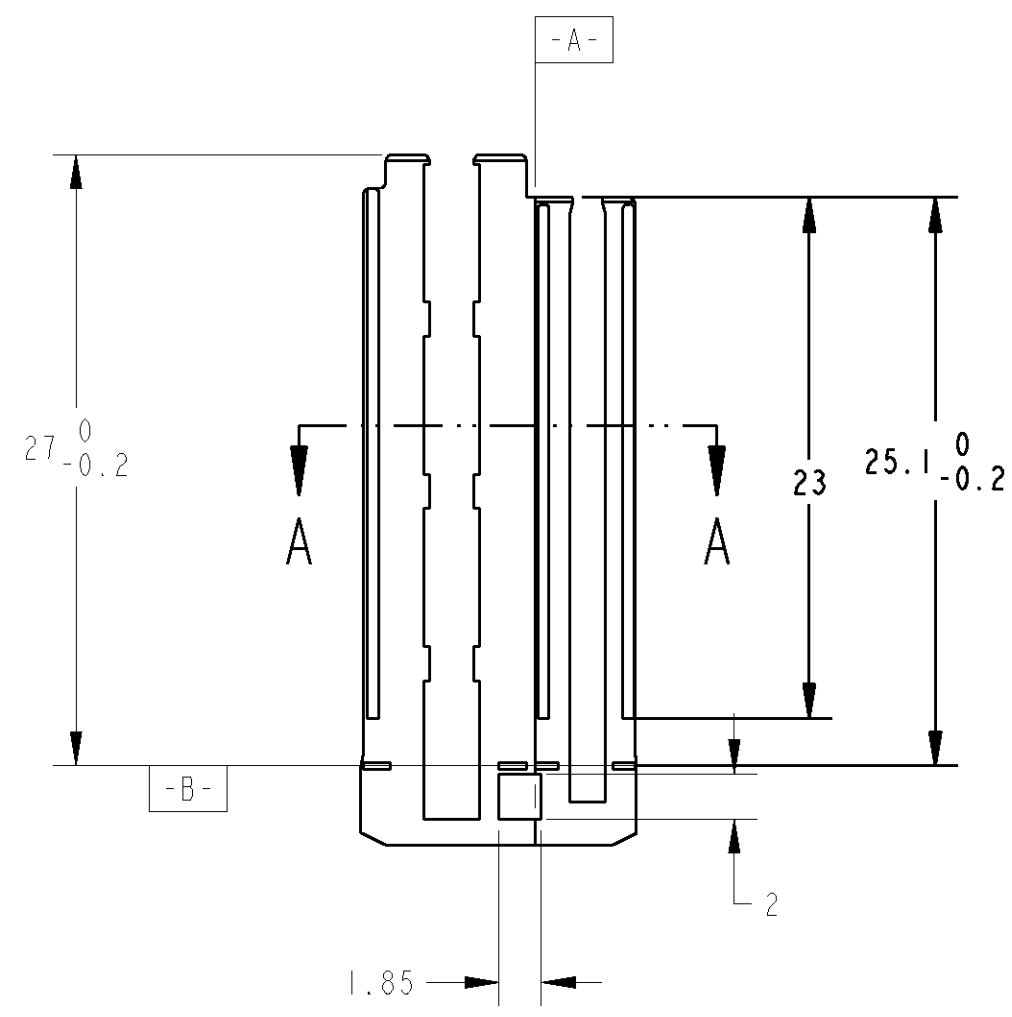
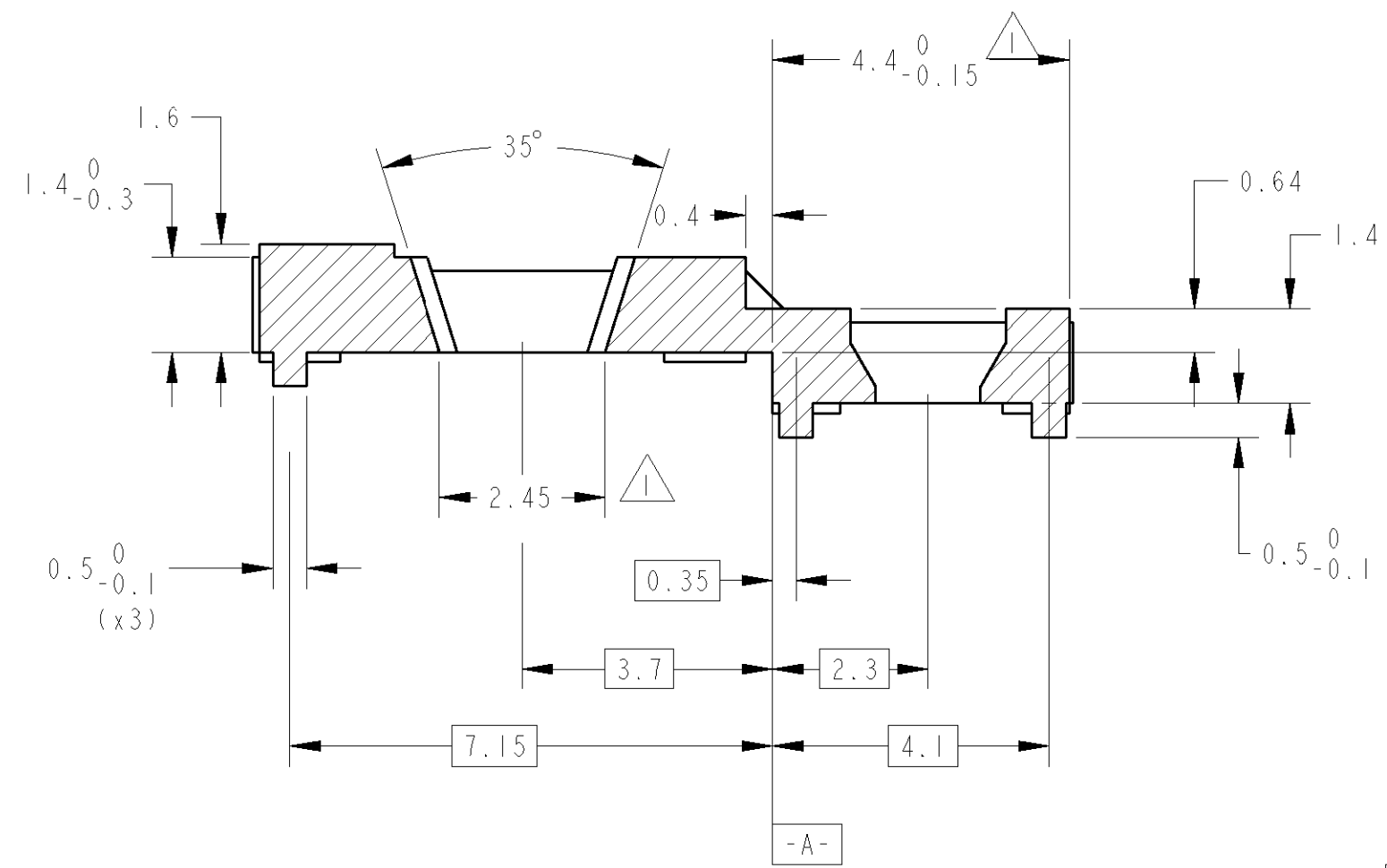


THIS DRAWING IS UNPUBLISHED. RELEASED FOR PUBLICATION. DIFFUSION RESTREINTE. LIBRE A LA DIFFUSION. BY AMP INCORPORATED. ALL RIGHTS RESERVED. TOUS DROITS RESERVES.

LOC	DIST	REVISIONS					
F	7	P	LTR	DESCRIPTION MODIFICATIONS	DATE	DWN DESS.	APVD APP.
		A		DESIGN CHANGE	21SEP 98	RB	-
		B		ORANGE WAS WHITE	20-OCT-98	RB	
		C		PVS-5H WAS PBT 20% FV	14-DEC-98	RB	
		D		2MM RIB ADDITION UP TO 1.6 THICK	27APR2000	JPP	JJR



SECTION A-A  
SCALE 10:1



△ ADMISSIBLE NIPPING 0.2 PINCEMENT ADMISSIBLE 0.2

953048-1	PA 6-50% FV	ORANGE
AMP REF. (REF. AMP)	MATERIAL (MATIERE)	COLOR (COULEUR)

<small>THIS DRAWING IS A CONTROLLED DOCUMENT FOR AMP INCORPORATED. IT IS SUBJECT TO CHANGE AND THE CONTROLLING ENGINEERING ORGANIZATION SHOULD BE CONTACTED FOR THE LATEST REVISION. CE PLAN EST UN DOCUMENT CONTROLÉ PAR AMP INCORPORATED. IL EST SUSCEPTIBLE D'ÊTRE REVISÉ. CONTACTER LE SERVICE TECHNIQUE D'AMP DE FRANCE POUR OBTENIR LA DERNIÈRE RÉVISION.</small>		DWN / DESSINE 8-jan-97 Regis BONNET CHK / VÉRIFIÉ 18-JUL-97 JP. PICAUD APVD / APPROUVÉ 18-JUL-97 JP. PICAUD	AMP DE FRANCE 95301 PONTOISE
DIMENSIONS: mm TOLERANCES UNLESS OTHERWISE SPECIFIED: TOLERANCES NON SPECIFIÉES (SILLY NR DE DECIMALES) ±0.2 ± ANGLES: ±5° FINISH: SEE TABLE	PRODUCT SPEC: 108-15172 APPLICATION SPEC: 411-15599 WEIGHT: 0.35gr MASSE APPROX.	NAME: MT/SPT SECONDARY LOCK FOR 31 WAYS HYBRID TIMER CONNECTOR TITRE: ERROU SECONDAIRE MT/SPT POUR CONNECTIQUE 31 VOIES TIMER HYBRIDE SIZE: A2 CAGE CODE: 00779 DRAWING NO: No PLAN No PLAN SCALE: 3:1 SHEET: OF DE 1 REV: D	RESTRICTED TO RESERVE A -
MATERIAL MATIERE: SEE TABLE		CUSTOMER DRAWING / PLAN CLIENT UNIFORMEMENT POUR REFERENCE	

# Mouser Electronics

Authorized Distributor

Click to View Pricing, Inventory, Delivery & Lifecycle Information:

[TE Connectivity:](#)

[953048-1](#)