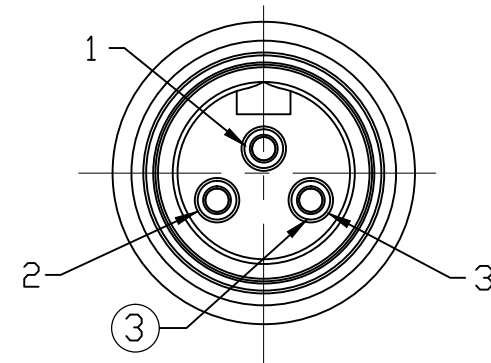
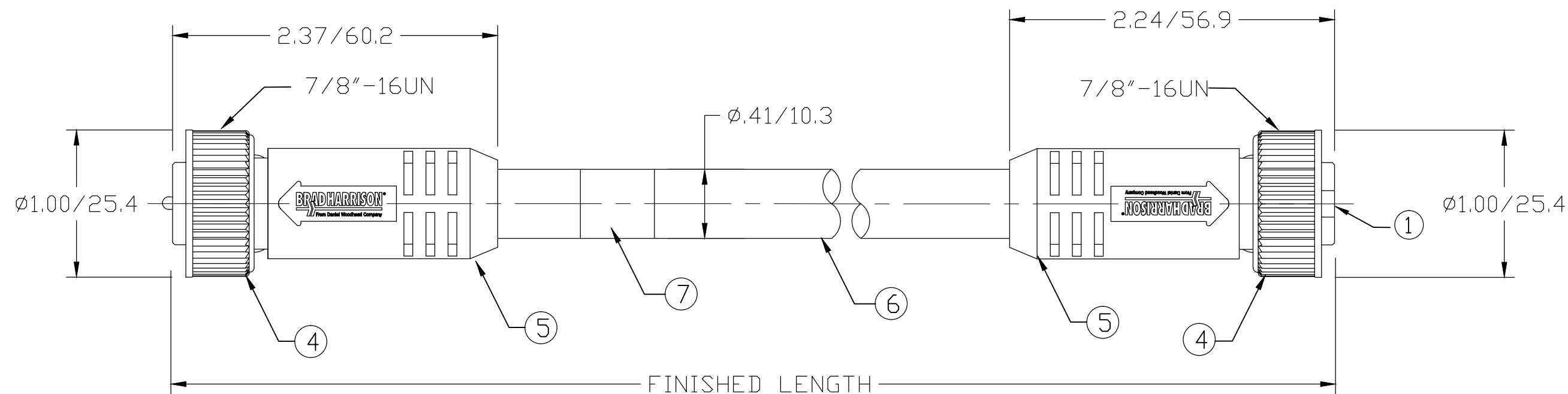
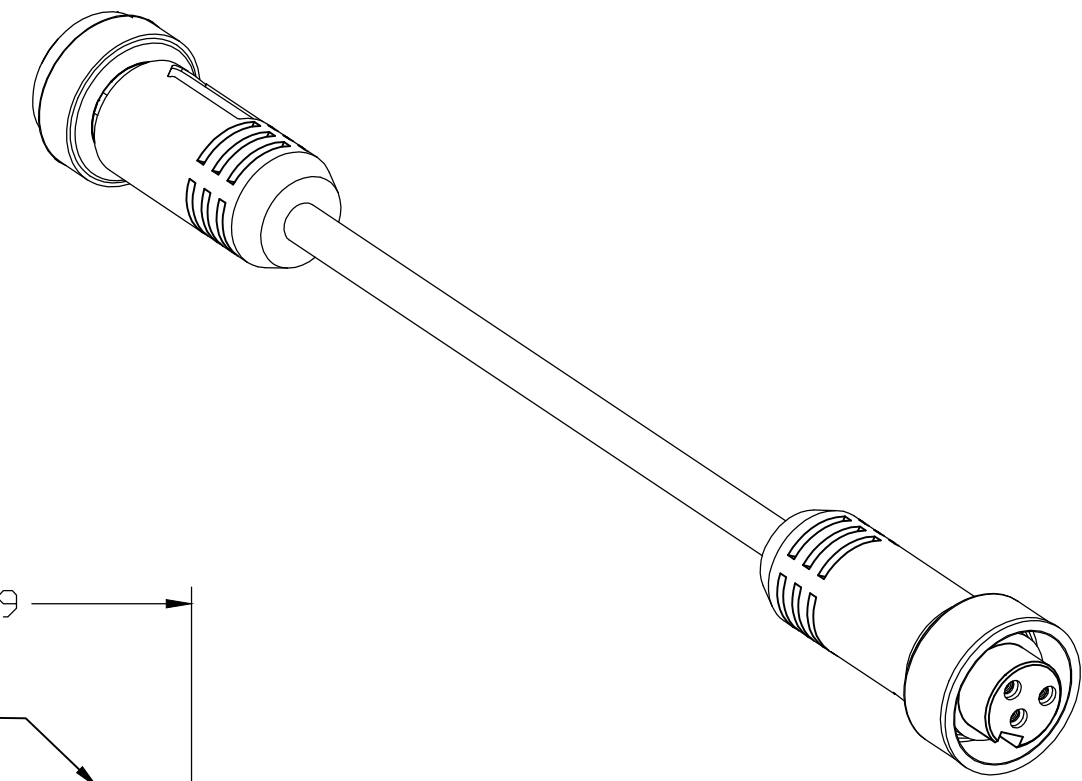
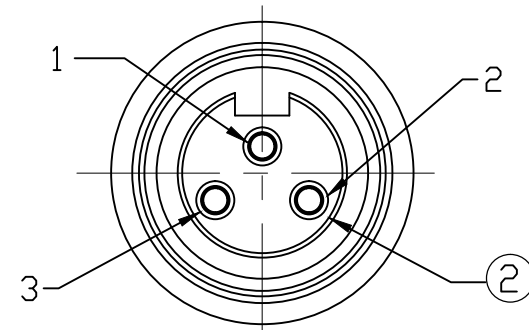


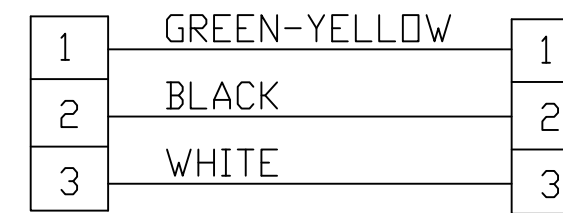
MATERIAL NUMBER	OLD PART NUMBER	FINISHED LENGTH
1300100210	113020A01F010	1.00' +.75" -0 [1.3M +19.1 -0]
1300100214	113020A01F030	3.00' +1.75" -0 [1.9M +44.5 -0]
1300100221	113020A01F060	6.00' +2.19" -0 [1.8M +55.6 -0]
1300100226	113020A01F090	9.00' +3.50" -0 [2.7M +88.9 -0]
1300100227	113020A01F100	10.00' +3.50" -0 [3.05M +88.9 -0]
1300100228	113020A01F120	12.00' +3.50" -0 [3.7M +88.9 -0]
1300100233	113020A01F150	15.00' +6.50" -0 [4.6M +165.1 -0]
1300100238	113020A01F200	20.00' +6.50" -0 [6.1M +165.1 -0]
1300100241	113020A01F250	25.00' +12.50" -0 [7.6M +317.5 -0]
1300100245	113020A01F300	30.00' +12.50" -0 [9.1M +317.5 -0]



MALE FACE VIEW



FEMALE FACE VIEW



WIRING DIAGRAM

(D)

- NOTES:
- MATERIAL: SEE TABLE
 - FINISH: SEE TABLE
 - ELECTRICAL:
VOLTAGE: 600VAC/DC
CURRENT: 13A
 - TEMP RATING: -20°TO +105°C
 - PROTECTION: IP67 (WHEN MATED)
 - UL RECOGNIZED FIEL NO. E152210
CSA CERTIFIED FILE NO. LR6837
 - ALL DIMS ARE FOR REFERENCE UNLESS NOTED OTHERWISE

TABLE

ITEM	COMPONENT	MATERIAL	FINISH
1	INSERT	PVC	YELLOW
2	CONTACT SOCKET	COPPER ALLOY	GOLD OVER NICKEL
3	CONTACT PIN	COPPER ALLOY	GOLD OVER NICKEL
4	COUPLING NUT	ZINC DIE CAST	BLACK E-COATED
5	OVERMOLD	PVC	YELLOW
6	CABLE- 16AWG, (65 X #34 COPPER STRANDING), 3 CONDUCTOR, 600V, ST00W, ST	PVC	YELLOW
7	LABEL	VINYL	BLACK/YELLOW

ADD 10 & 30 FT PINS AND NOTES EC NO: IFC2017-0531 DRWN: RSTONE 11/23/16 CHKD: M ZELIN 2016/11/28 APPR: BWOODMAN	QUALITY SYMBOL ▽=0 ▽=0	GENERAL TOLERANCES (UNLESS SPECIFIED)		DIMENSION STYLE IN/MM		SCALE	DESIGN UNITS	THIRD ANGLE PROJECTION			
						---	INCH				
						DRAWN BY	DATE	TITLE			
						BW	2009/03/30	MINI-CHANGE CORDSET 3 POLE MALE/FEMALE 16 AWG PVC CABLE			
				CHECKED BY	DATE	MOLEX INCORPORATED					
				VO	2009/03/30	MOLEX INCORPORATED					
				APPROVED BY	DATE	DOCUMENT NO.					
				----	----	SD-130010-002					
				MATERIAL NO.		SHEET NO.					
				SEE CHART		1 OF 1					
				THIS DRAWING CONTAINS INFORMATION THAT IS PROPRIETARY TO MOLEX INCORPORATED AND SHOULD NOT BE USED WITHOUT WRITTEN PERMISSION							

Mouser Electronics

Authorized Distributor

Click to View Pricing, Inventory, Delivery & Lifecycle Information:

Molex:

[1300100228](#) [113020A01F120](#)