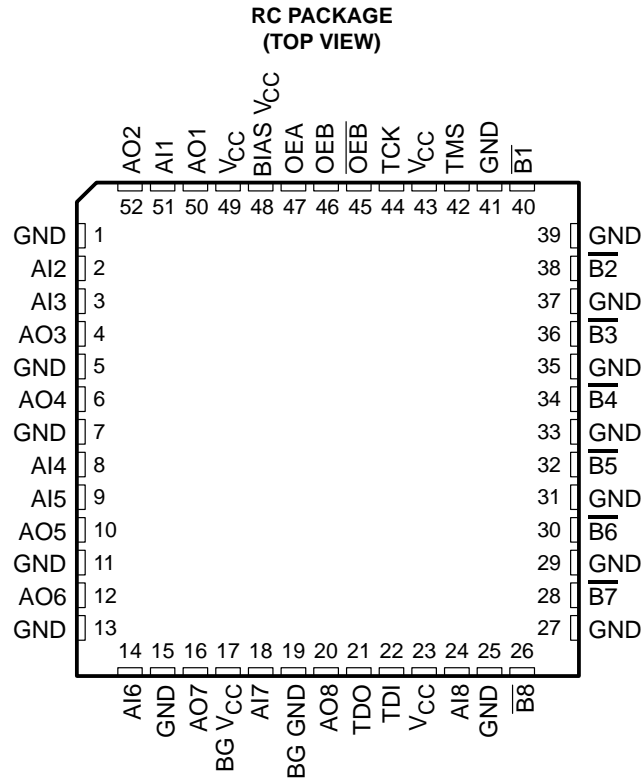


SN74FB2040 8-BIT TTL/BTL TRANSCEIVER

SCBS173N – NOVEMBER 1991 – REVISED MARCH 2002

- Compatible With IEEE Std 1194.1-1991 (BTL)
- TTL A Port, Backplane Transceiver Logic (BTL) \bar{B} Port
- Open-Collector \bar{B} -Port Outputs Sink 100 mA
- High-Impedance State During Power Up and Power Down
- BIAS V_{CC} Pin Minimizes Signal Distortion During Live Insertion or Withdrawal
- \bar{B} -Port Biasing Network Preconditions the Connector and PC Trace to the BTL High-Level Voltage



description

The SN74FB2040 is an 8-bit transceiver designed to translate signals between TTL and backplane transceiver logic (BTL) environments.

The \bar{B} port operates at BTL-signal levels. The open-collector \bar{B} ports are specified to sink 100 mA. Two output enables (OEB and \bar{OEB}) are provided for the \bar{B} outputs. When OEB is high and \bar{OEB} is low, the \bar{B} port is active and reflects the inverse of the data present at the A-input pins. When OEB is low, \bar{OEB} is high, or V_{CC} is less than 2.1 V, the \bar{B} port is turned off.

The A port operates at TTL-signal levels and has separate input and output pins. The A outputs reflect the inverse of the data at the \bar{B} port when the A-port output enable (OEA) is high. When OEA is low or when V_{CC} is less than 2.1 V, the A outputs are in the high-impedance state.

The pins TMS, TCK, TDI, and TDO are nonfunctional, i.e., not intended for use with the IEEE Std 1149.1 (JTAG) test bus. TMS and TCK are not connected, and TDI is shorted to TDO.

BIAS V_{CC} establishes a voltage between 1.62 V and 2.1 V on the BTL outputs when V_{CC} is not connected.



Please be aware that an important notice concerning availability, standard warranty, and use in critical applications of Texas Instruments semiconductor products and disclaimers thereto appears at the end of this data sheet.

PRODUCTION DATA information is current as of publication date. Products conform to specifications per the terms of Texas Instruments standard warranty. Production processing does not necessarily include testing of all parameters.

 **TEXAS
INSTRUMENTS**

POST OFFICE BOX 655303 • DALLAS, TEXAS 75265

Copyright © 2002, Texas Instruments Incorporated

SN74FB2040 8-BIT TTL/BTL TRANSCEIVER

SCBS173N – NOVEMBER 1991 – REVISED MARCH 2002

ORDERING INFORMATION

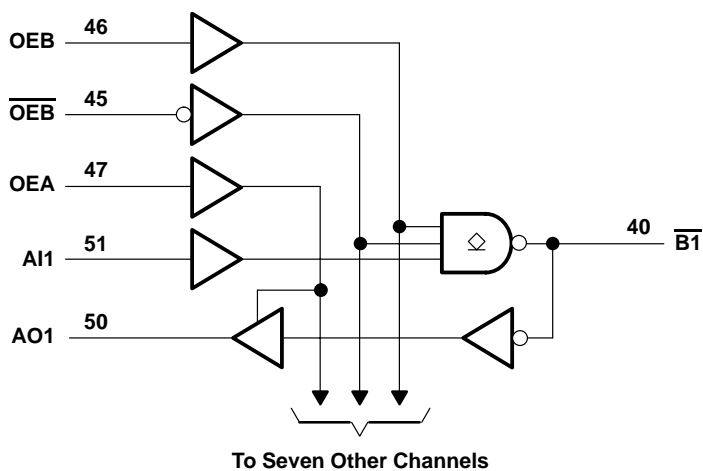
T _A	PACKAGE†		ORDERABLE PART NUMBER	TOP-SIDE MARKING
0°C to 70°C	QFP – RC	Tube	SN74FB2040RC	FB2040

† Package drawings, standard packing quantities, thermal data, symbolization, and PCB design guidelines are available at www.ti.com/sc/package.

FUNCTION TABLE

INPUTS			FUNCTION
OEB	$\overline{\text{OEB}}$	OEA	
L	X	L	Isolation
X	H	L	Isolation
L	X	H	$\overline{\text{B}}$ data to AO bus
X	H	H	$\overline{\text{B}}$ data to AO bus
H	L	L	$\overline{\text{AI}}$ data to B bus
H	L	H	$\overline{\text{AI}}$ data to B bus, $\overline{\text{B}}$ data to AO bus

functional block diagram



absolute maximum ratings over operating free-air temperature range (unless otherwise noted)†

Supply voltage range, V_{CC}	–0.5 V to 7 V
Input voltage range, V_I : Except \overline{B} port	–1.2 V to 7 V
\overline{B} port	–1.2 V to 3.5 V
Voltage range applied to any \overline{B} output in the disabled or power-off state, V_O	–0.5 V to 3.5 V
Voltage range applied to any output in the high state, V_O : A port	–0.5 V to V_{CC}
Input clamp current, I_{IK} : Except \overline{B} port	–40 mA
\overline{B} port	–18 mA
Current applied to any single output in the low state, I_O : A port	48 mA
\overline{B} port	200 mA
Package thermal impedance, θ_{JA} (see Note 1)	44°C/W
Storage temperature range, T_{stg}	–65°C to 150°C

† Stresses beyond those listed under “absolute maximum ratings” may cause permanent damage to the device. These are stress ratings only, and functional operation of the device at these or any other conditions beyond those indicated under “recommended operating conditions” is not implied. Exposure to absolute-maximum-rated conditions for extended periods may affect device reliability.

NOTE 1: The package thermal impedance is calculated in accordance with JESD 51-7.

recommended operating conditions (see Note 2)

		MIN	NOM	MAX	UNIT
V_{CC} , BIAS V_{CC} , BG V_{CC}	Supply voltage	4.5	5	5.5	V
V_{IH}	High-level input voltage	\overline{B} port	1.62	2.3	V
		Except \overline{B} port	2		
V_{IL}	Low-level input voltage	\overline{B} port	0.75	1.47	V
		Except \overline{B} port		0.8	
I_{IK}	Input clamp current			–18	mA
I_{OH}	High-level output current			–3	mA
I_{OL}	Low-level output current	AO port		24	mA
		\overline{B} port		100	
T_A	Operating free-air temperature	0		70	°C

NOTE 2: To ensure proper device operation, all unused inputs must be terminated as follows: A and control inputs to V_{CC} (5 V) or GND, and B inputs to GND only. Refer to the TI application report, *Implications of Slow or Floating CMOS Inputs*, literature number SCBA004.

SN74FB2040

8-BIT TTL/BTL TRANSCEIVER

SCBS173N – NOVEMBER 1991 – REVISED MARCH 2002

electrical characteristics over recommended operating free-air temperature range (unless otherwise noted)

PARAMETER		TEST CONDITIONS		MIN	TYP†	MAX	UNIT
V _{IK}	\bar{B} port	V _{CC} = 4.5 V,	I _I = -18 mA			-1.2	V
	Except \bar{B} port	V _{CC} = 4.5 V,	I _I = -40 mA			-0.5	
V _{OH}	AO port	V _{CC} = 4.5 V,	I _{OH} = -3 mA	2.5	3.3		V
V _{OL}	AO port	V _{CC} = 4.5 V,	I _{OL} = 24 mA		0.35	0.5	V
	\bar{B} port	V _{CC} = 4.5 V	I _{OL} = 80 mA	0.75		1.1	
			I _{OL} = 100 mA			1.15	
I _I	Except \bar{B} port	V _{CC} = 5.5 V,	V _I = 5.5 V			50	μA
I _{IH} ‡	Except \bar{B} port	V _{CC} = 5.5 V,	V _I = 2.7 V			50	μA
I _{IL} ‡	Except \bar{B} port	V _{CC} = 5.5 V,	V _I = 0.5 V			-50	μA
	\bar{B} port	V _{CC} = 5.5 V,	V _I = 0.75 V			-100	
I _{OH}	\bar{B} port	V _{CC} = 0 to 5.5 V,	V _O = 2.1 V			100	μA
I _{OZH}	AO port	V _{CC} = 5.5 V,	V _O = 2.7 V			50	μA
I _{OZL}	AO port	V _{CC} = 5.5 V,	V _O = 0.5 V			-50	μA
I _{OZPU}	A port	V _{CC} = 0 to 2.1 V,	V _O = 0.5 V to 2.7 V			50	μA
I _{OZPD}	A port	V _{CC} = 2.1 V to 0,	V _O = 0.5 V to 2.7 V			-50	μA
I _{OS} §	AO port	V _{CC} = 5.5 V,	V _O = 0	-30		-180	mA

† All typical values are at V_{CC} = 5 V, T_A = 25°C.

‡ For I/O ports, the parameters I_{IH} and I_{IL} include the off-state output current.

§ Not more than one output should be shorted at a time, and the duration of the short circuit should not exceed one second.

electrical characteristics over recommended operating free-air temperature range (unless otherwise noted) (continued)

PARAMETER		TEST CONDITIONS		MIN	TYP†	MAX	UNIT
I _{CC}	A _I port to \bar{B} port	V _{CC} = 5.5 V,	I _O = 0		40		mA
	\bar{B} port to AO port				70		
C _i	A _I port	V _I = V _{CC} or GND			3.5		pF
	Control inputs				3		
C _O	AO port	V _O = V _{CC} or GND			6		pF
C _{io}	\bar{B} port per IEEE Std 1194.1-1991	V _{CC} = 0 to 4.5 V				5	pF
		V _{CC} = 4.5 V to 5.5 V				5	

† All typical values are at V_{CC} = 5 V, T_A = 25°C.

live-insertion specifications over recommended operating free-air temperature range

PARAMETER		TEST CONDITIONS			MIN	MAX	UNIT
I _{CC} (BIAS V _{CC})		V _{CC} = 0 to 4.5 V,	V _B = 0 to 2 V,	V _I (BIAS V _{CC}) = 4.5 V to 5.5 V		450	μA
		V _{CC} = 4.5 to 5.5 V,	V _B = 0 to 2 V,	V _I (BIAS V _{CC}) = 4.5 V to 5.5 V		10	
V _O	\bar{B} port	V _{CC} = 0,	V _I (BIAS V _{CC}) = 5 V		1.62	2.1	V
I _O	\bar{B} port	V _{CC} = 0,	V _B = 1 V,	V _I (BIAS V _{CC}) = 4.5 V to 5.5 V		-1	μA
		V _{CC} = 0 to 5.5 V,	OEB = 0 to 0.8 V			100	
		V _{CC} = 0 to 2.2 V,	OEB = 0 to 5 V			100	



POST OFFICE BOX 655303 • DALLAS, TEXAS 75265

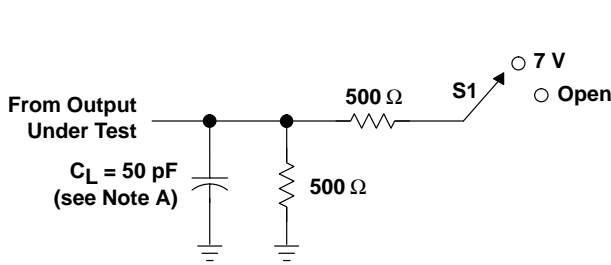
switching characteristics over recommended ranges of supply voltage and operating free-air temperature (unless otherwise noted) (see Figure 1)

PARAMETER	FROM (INPUT)	TO (OUTPUT)	V _{CC} = 5 V, T _A = 25°C			MIN	MAX	UNIT
			MIN	TYP	MAX			
t _{PLH}	AI	\overline{B}	3.2	4.5	6	2.4	6.5	ns
t _{PHL}			2.8	4.2	5.6	2.7	5.8	
t _{PLH}	\overline{B}	AO	2.3	3.8	5.7	1.9	6.2	ns
t _{PHL}			2.3	4.2	5.9	2	8.2	
t _{PLH}	OEB	\overline{B}	3.7	5.1	6.7	3	7	ns
t _{PHL}			3.1	4.6	5.9	3	6.1	
t _{PLH}	\overline{OEB}	\overline{B}	3.6	5.2	6.8	3.3	7	ns
t _{PHL}			2.9	4.4	5.9	2.6	6.1	
t _{PZH}	OEA	AO	2.5	4	5.5	2.1	5.8	ns
t _{PZL}			2.1	3.6	4.8	2	5	
t _{PHZ}	OEA	AO	2.3	4.1	5.9	1.9	6.5	ns
t _{PLZ}			1.6	3.1	4.5	1.4	4.7	
t _{sk(p)}	Skew for any single channel t _{PHL} - t _{PLH} , AI to \overline{B} or \overline{B} to AO		0.5					ns
t _{sk(o)}	Skew between drivers in the same package, AI to \overline{B} or \overline{B} to AO		0.4					ns
t _r	Rise time, 1.3 V to 1.8 V, \overline{B} port		2	2.8	3.8	1.7		ns
t _f	Fall time, 1.8 V to 1.3 V, \overline{B} port		1	1.9	3	1	4.2	ns
t _(pr)	\overline{B} -port input pulse rejection					1	3.4	ns

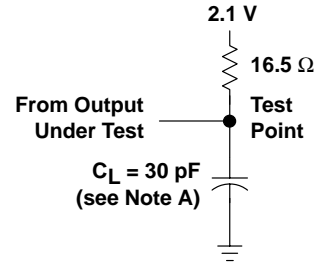
SN74FB2040 8-BIT TTL/BTL TRANSCEIVER

SCBS173N – NOVEMBER 1991 – REVISED MARCH 2002

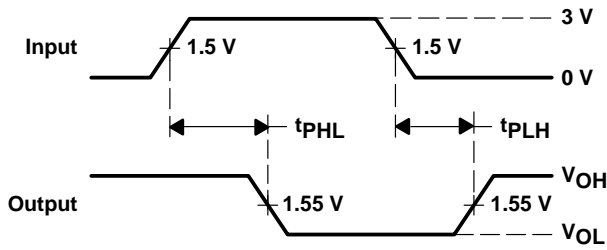
PARAMETER MEASUREMENT INFORMATION



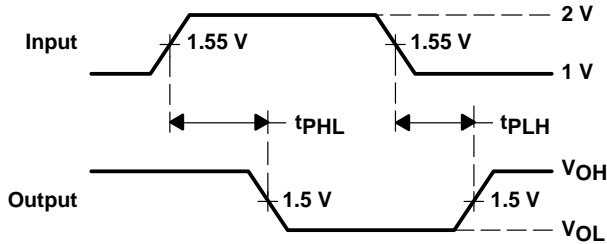
LOAD CIRCUIT FOR A OUTPUTS



LOAD CIRCUIT FOR B OUTPUTS

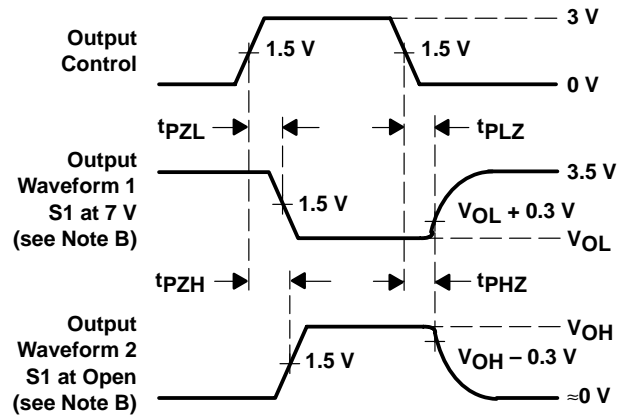


VOLTAGE WAVEFORMS
PROPAGATION DELAY TIMES (A TO B)



VOLTAGE WAVEFORMS
PROPAGATION DELAY TIMES (B TO A)

TEST	S1
t_{PLH}/t_{PHL}	Open
t_{PLZ}/t_{PZL}	7 V
t_{PHZ}/t_{PZH}	Open



VOLTAGE WAVEFORMS
ENABLE AND DISABLE TIMES (A PORT)

- NOTES: A. C_L includes probe and jig capacitance.
 B. Waveform 1 is for an output with internal conditions such that the output is low except when disabled by the output control. Waveform 2 is for an output with internal conditions such that the output is high except when disabled by the output control.
 C. All input pulses are supplied by generators having the following characteristics: TTL inputs: $PRR \leq 10$ MHz, $Z_O = 50 \Omega$, $t_r \leq 2.5$ ns, $t_f \leq 2.5$ ns; BTL inputs: $PRR \leq 10$ MHz, $Z_O = 50 \Omega$, $t_r \leq 2.5$ ns, $t_f \leq 2.5$ ns.
 D. The outputs are measured one at a time with one transition per measurement.

Figure 1. Load Circuits and Voltage Waveforms

PACKAGING INFORMATION

Orderable Device	Status (1)	Package Type	Package Drawing	Pins	Package Qty	Eco Plan (2)	Lead/Ball Finish (6)	MSL Peak Temp (3)	Op Temp (°C)	Device Marking (4/5)	Samples
SN74FB2040RCG3	ACTIVE	QFP	RC	52	96	Green (RoHS & no Sb/Br)	SN	Level-3-260C-168 HR	0 to 70	FB2040	Samples

(1) The marketing status values are defined as follows:

ACTIVE: Product device recommended for new designs.

LIFEBUY: TI has announced that the device will be discontinued, and a lifetime-buy period is in effect.

NRND: Not recommended for new designs. Device is in production to support existing customers, but TI does not recommend using this part in a new design.

PREVIEW: Device has been announced but is not in production. Samples may or may not be available.

OBSOLETE: TI has discontinued the production of the device.

(2) **RoHS:** TI defines "RoHS" to mean semiconductor products that are compliant with the current EU RoHS requirements for all 10 RoHS substances, including the requirement that RoHS substance do not exceed 0.1% by weight in homogeneous materials. Where designed to be soldered at high temperatures, "RoHS" products are suitable for use in specified lead-free processes. TI may reference these types of products as "Pb-Free".

RoHS Exempt: TI defines "RoHS Exempt" to mean products that contain lead but are compliant with EU RoHS pursuant to a specific EU RoHS exemption.

Green: TI defines "Green" to mean the content of Chlorine (Cl) and Bromine (Br) based flame retardants meet JS709B low halogen requirements of <=1000ppm threshold. Antimony trioxide based flame retardants must also meet the <=1000ppm threshold requirement.

(3) MSL, Peak Temp. - The Moisture Sensitivity Level rating according to the JEDEC industry standard classifications, and peak solder temperature.

(4) There may be additional marking, which relates to the logo, the lot trace code information, or the environmental category on the device.

(5) Multiple Device Markings will be inside parentheses. Only one Device Marking contained in parentheses and separated by a "~" will appear on a device. If a line is indented then it is a continuation of the previous line and the two combined represent the entire Device Marking for that device.

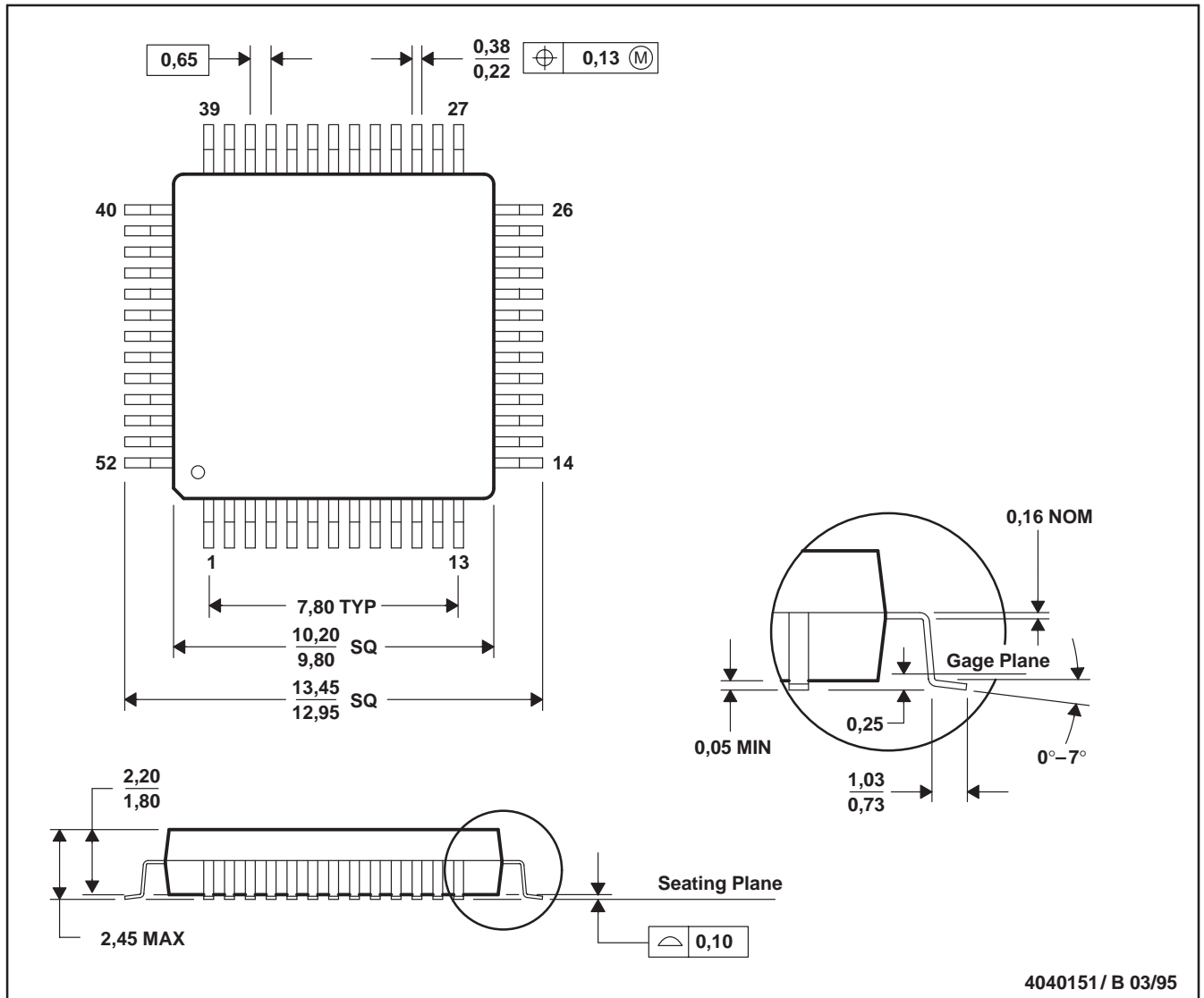
(6) Lead/Ball Finish - Orderable Devices may have multiple material finish options. Finish options are separated by a vertical ruled line. Lead/Ball Finish values may wrap to two lines if the finish value exceeds the maximum column width.

Important Information and Disclaimer:The information provided on this page represents TI's knowledge and belief as of the date that it is provided. TI bases its knowledge and belief on information provided by third parties, and makes no representation or warranty as to the accuracy of such information. Efforts are underway to better integrate information from third parties. TI has taken and continues to take reasonable steps to provide representative and accurate information but may not have conducted destructive testing or chemical analysis on incoming materials and chemicals. TI and TI suppliers consider certain information to be proprietary, and thus CAS numbers and other limited information may not be available for release.

In no event shall TI's liability arising out of such information exceed the total purchase price of the TI part(s) at issue in this document sold by TI to Customer on an annual basis.

RC (S-PQFP-G52)

PLASTIC QUAD FLATPACK



- NOTES: A. All linear dimensions are in millimeters.
 B. This drawing is subject to change without notice.
 C. Falls within JEDEC MS-022

IMPORTANT NOTICE AND DISCLAIMER

TI PROVIDES TECHNICAL AND RELIABILITY DATA (INCLUDING DATASHEETS), DESIGN RESOURCES (INCLUDING REFERENCE DESIGNS), APPLICATION OR OTHER DESIGN ADVICE, WEB TOOLS, SAFETY INFORMATION, AND OTHER RESOURCES "AS IS" AND WITH ALL FAULTS, AND DISCLAIMS ALL WARRANTIES, EXPRESS AND IMPLIED, INCLUDING WITHOUT LIMITATION ANY IMPLIED WARRANTIES OF MERCHANTABILITY, FITNESS FOR A PARTICULAR PURPOSE OR NON-INFRINGEMENT OF THIRD PARTY INTELLECTUAL PROPERTY RIGHTS.

These resources are intended for skilled developers designing with TI products. You are solely responsible for (1) selecting the appropriate TI products for your application, (2) designing, validating and testing your application, and (3) ensuring your application meets applicable standards, and any other safety, security, or other requirements. These resources are subject to change without notice. TI grants you permission to use these resources only for development of an application that uses the TI products described in the resource. Other reproduction and display of these resources is prohibited. No license is granted to any other TI intellectual property right or to any third party intellectual property right. TI disclaims responsibility for, and you will fully indemnify TI and its representatives against, any claims, damages, costs, losses, and liabilities arising out of your use of these resources.

TI's products are provided subject to TI's Terms of Sale (www.ti.com/legal/termsofsale.html) or other applicable terms available either on ti.com or provided in conjunction with such TI products. TI's provision of these resources does not expand or otherwise alter TI's applicable warranties or warranty disclaimers for TI products.

Mailing Address: Texas Instruments, Post Office Box 655303, Dallas, Texas 75265
Copyright © 2020, Texas Instruments Incorporated