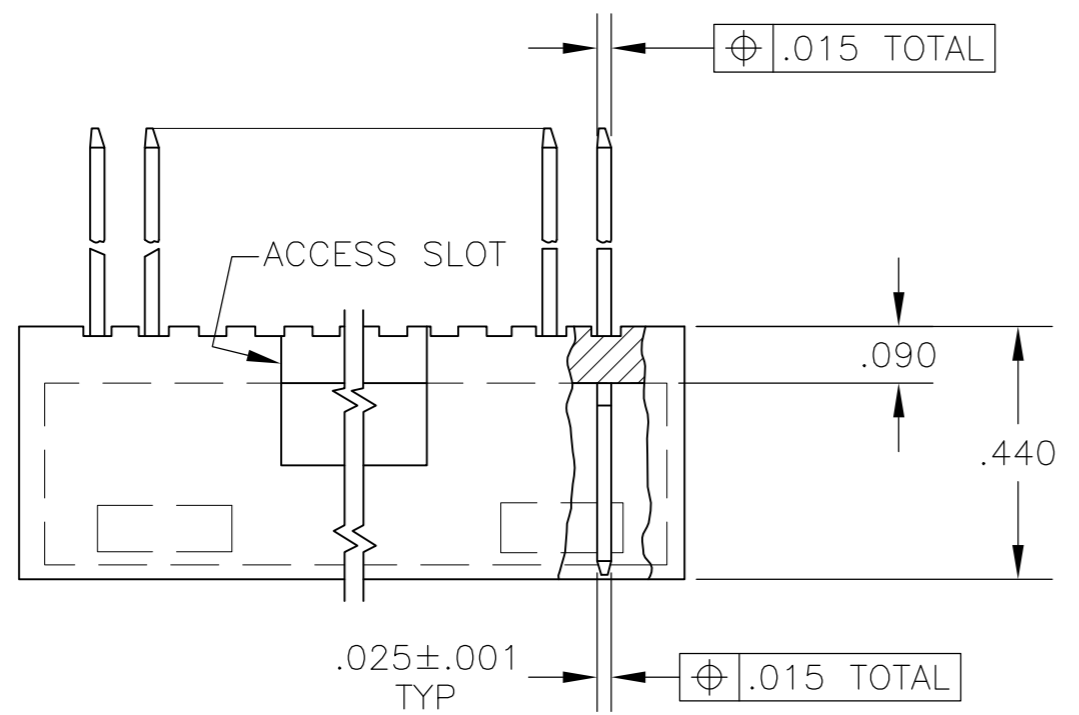


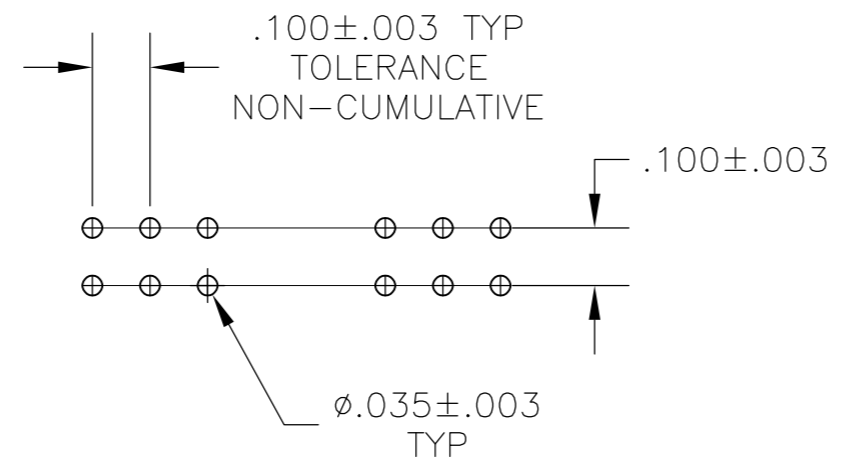
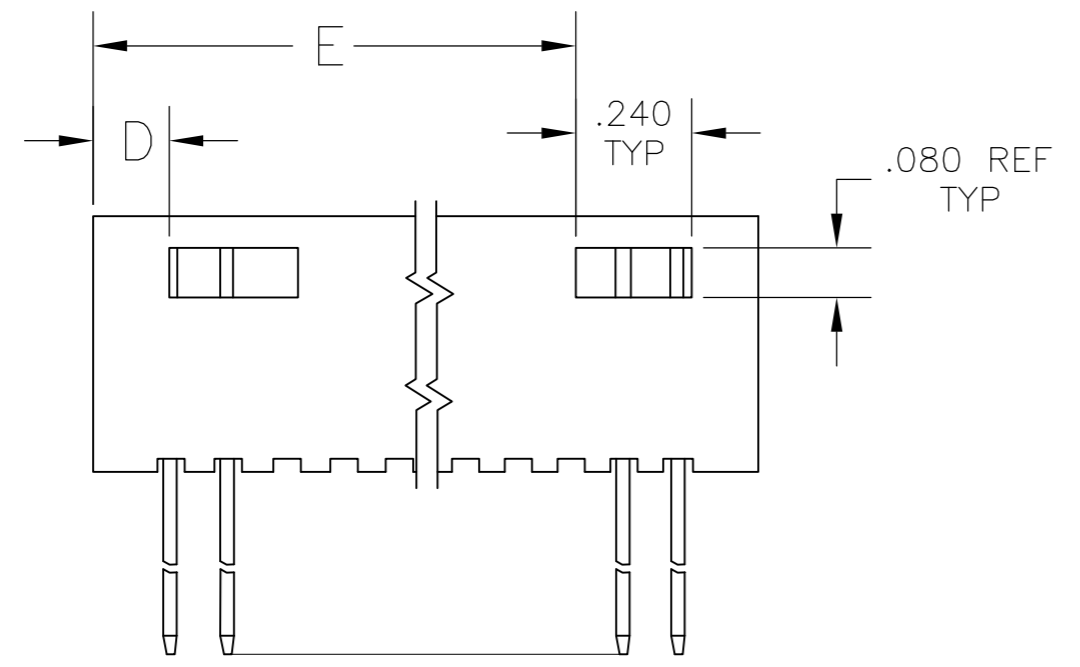
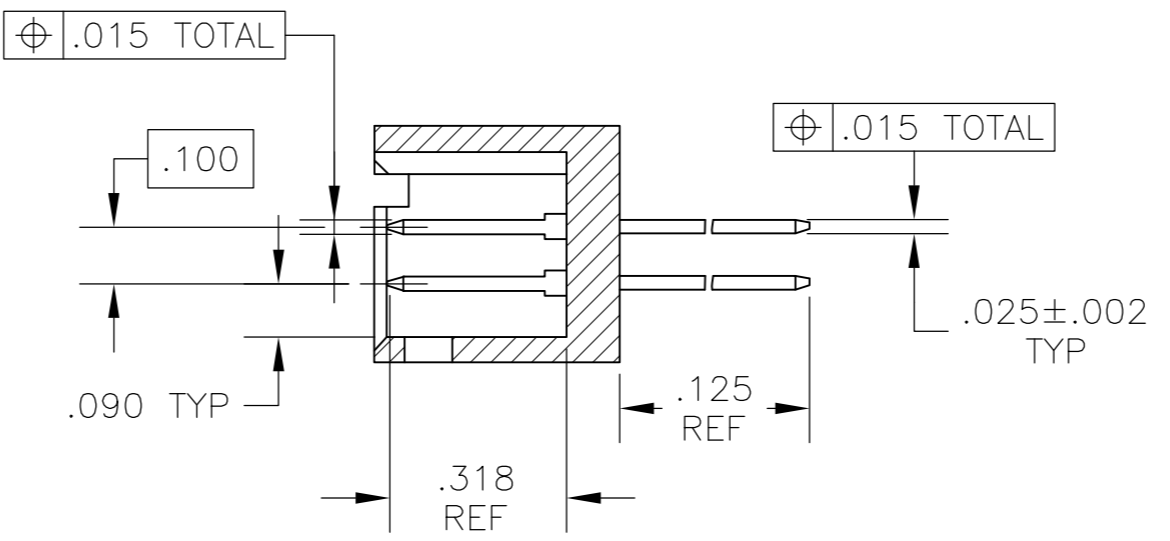
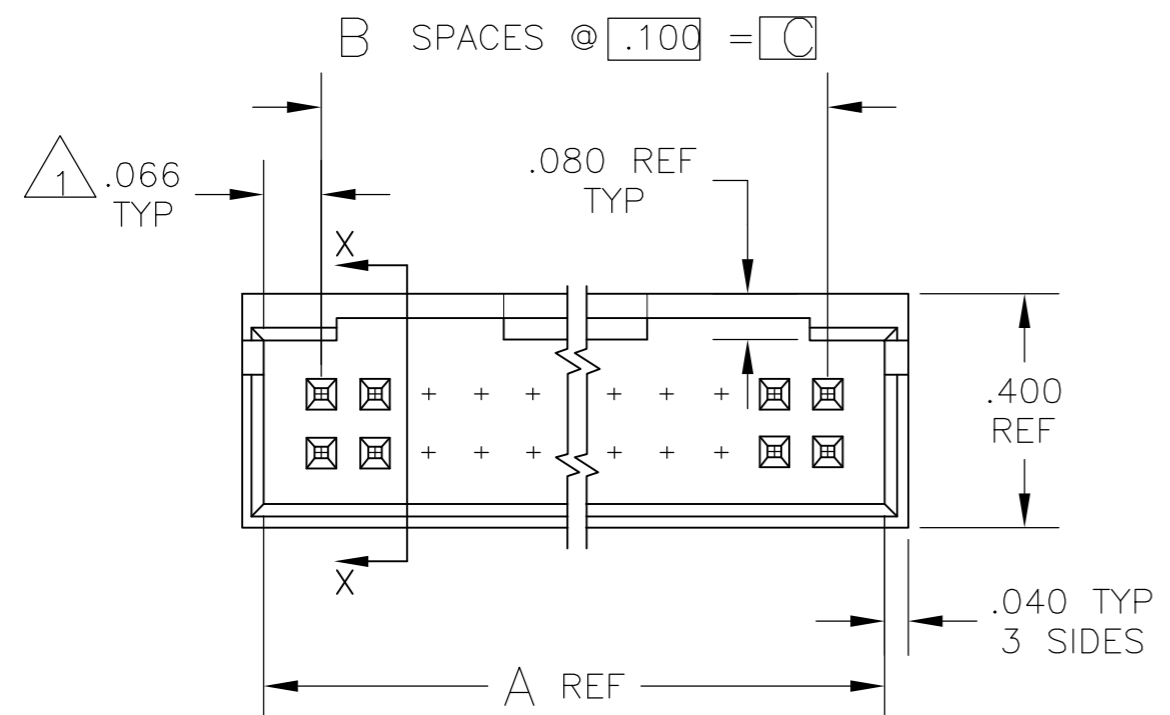
THIS DRAWING IS UNPUBLISHED. RELEASED FOR PUBLICATION  
 © COPYRIGHT - By - ALL RIGHTS RESERVED.

REVISIONS				
P	LTR	DESCRIPTION	DATE	APVD
R3		26 POS. CONNECTOR PN CORRECTED	04AUG2016	KJK PS



NOTES

- 1 WILL ALSO MATE W/OTHER CONNECTORS WHICH ARE COMPATIBLE WITH THE  $.006$  END DIM.
- 2 OBSOLETE PART NUMBER.
- 3  $.000100$ -. $.000200$  BRIGHT TIN-LEAD OVER  $.000050$  NICKEL
- 4  $.000100$ -. $.000200$  BRIGHT TIN OVER  $.000050$ -. $.000100$  NICKEL
- 5 PRELIMINARY PART.
- 6  $.000100$ -. $.000200$  MATTE TIN OVER  $.000050$ -. $.000100$  NICKEL
- 7 OBSOLETE PARTS: OBSOLETE CIS STREAMLINING PER D.RENAUD/D.SINISI



RECOMMENDED HOLE LAYOUT

THIS DRAWING IS A CONTROLLED DOCUMENT.		DWN	12 SEP 75		TE Connectivity		
DIMENSIONS: INCHES		CHK	12 SEP 75		NAME		
TOLERANCES UNLESS OTHERWISE SPECIFIED:		APVD	15 SEP 75		HEADER ASSEMBLY MOD II, $.100$ C/L $.025$ SQUARE POST, WITH DETENT		
0 PLC $\pm -$ 1 PLC $\pm -$ 2 PLC $\pm -$ 3 PLC $\pm .005$ 4 PLC $\pm -$ ANGLES $\pm -$		PRODUCT SPEC		SIZE	CAGE CODE	DRAWING NO	
MATERIAL: HSG: GLASS FILLED NYLON, COLOR: BLACK, CONTACT: PHOS BRONZE		FINISH: SEE TABLE		APPLICATION SPEC		RESTRICTED TO	
		WEIGHT		A2	00779	C=87589	
		CUSTOMER DRAWING		SCALE	3:1	SHEET 1 of 2	
				REV		R3	

THIS DRAWING IS UNPUBLISHED. RELEASED FOR PUBLICATION  
 © COPYRIGHT - By - ALL RIGHTS RESERVED.

REVISIONS					
P	LTR	DESCRIPTION	DATE	DWN	APVD
-	-	SEE SHEET 1	-	-	-

FINISH	E	D	C	B	A	NO OF POSN.	PART NO.
-	.106	.200	2	.332	6	8-87589-6	
-	.106	.300	3	.432	8	8-87589-5	
3.506	.106	3.600	36	3.732	74	8-87589-3	
3.406	.106	3.500	35	3.632	72	8-87589-2	
3.306	.106	3.400	34	3.532	70	8-87589-1	
3.206	.106	3.300	33	3.432	68	8-87589-0	
3.106	.106	3.200	32	3.332	66	7-87589-9	
3.006	.106	3.100	31	3.232	64	7-87589-8	
2.906	.106	3.000	30	3.132	62	7-87589-7	
2.806	.106	2.900	29	3.032	60	7-87589-6	
2.706	.106	2.800	28	2.932	58	7-87589-5	
2.606	.106	2.700	27	2.832	56	7-87589-4	
2.506	.106	2.600	26	2.732	54	7-87589-3	
2.406	.106	2.500	25	2.632	52	7-87589-2	
2.306	.106	2.400	24	2.532	50	7-87589-1	
2.206	.106	2.300	23	2.432	48	7-87589-0	
2.106	.106	2.200	22	2.332	46	6-87589-9	
2.006	.106	2.100	21	2.232	44	6-87589-8	
1.906	.106	2.000	20	2.132	42	6-87589-7	
1.806	.106	1.900	19	2.032	40	6-87589-6	
1.706	.106	1.800	18	1.932	38	6-87589-5	
1.606	.106	1.700	17	1.832	36	6-87589-4	
1.506	.106	1.600	16	1.732	34	6-87589-3	
1.406	.106	1.500	15	1.632	32	6-87589-2	
1.306	.106	1.400	14	1.532	30	6-87589-1	
1.206	.106	1.300	13	1.432	28	6-87589-0	
1.106	.106	1.200	12	1.332	26	5-87589-9	
1.006	.106	1.100	11	1.232	24	5-87589-8	
.906	.106	1.000	10	1.132	22	5-87589-7	
.806	.106	.900	9	1.032	20	5-87589-6	
-	.406	.800	8	.932	18	5-87589-5	
-	.306	.700	7	.832	16	5-87589-4	
-	.306	.600	6	.732	14	5-87589-3	
-	.206	.500	5	.632	12	5-87589-2	
-	.206	.400	4	.532	10	5-87589-1	

△7 OBSOLETE

△7 OBSOLETE

△7 OBSOLETE

△7 OBSOLETE

△7 OBSOLETE

△7 OBSOLETE

△6

△7 OBSOLETE

△7 OBSOLETE

△7 OBSOLETE

△7 OBSOLETE

△7 OBSOLETE

△7 OBSOLETE

△7 SUPERCEDED BY 6-87589-4

FINISH	E	D	C	B	A	NO OF POSN.	PART NO.	
5	4	1.306	.106	1.400	14	1.532	30	3-87589-9
4	4	-	.406	.800	8	.932	18	3-87589-8
4	4	-	.306	.700	7	.832	16	3-87589-7
4	4	-	.106	.200	2	.332	6	3-87589-6
4	4	-	.106	.300	3	.432	8	3-87589-5
4	4	3.506	.106	3.600	36	3.732	74	3-87589-3
4	4	3.406	.106	3.500	35	3.632	72	3-87589-2
4	4	3.306	.106	3.400	34	3.532	70	3-87589-1
4	4	3.206	.106	3.300	33	3.432	68	3-87589-0
4	4	3.106	.106	3.200	32	3.332	66	2-87589-9
4	4	3.006	.106	3.100	31	3.232	64	2-87589-8
4	4	2.906	.106	3.000	30	3.132	62	2-87589-7
4	4	2.806	.106	2.900	29	3.032	60	2-87589-6
4	4	2.706	.106	2.800	28	2.932	58	2-87589-5
4	4	2.606	.106	2.700	27	2.832	56	2-87589-4
4	4	2.506	.106	2.600	26	2.732	54	2-87589-3
4	4	2.406	.106	2.500	25	2.632	52	2-87589-2
4	4	2.306	.106	2.400	24	2.532	50	2-87589-1
4	4	2.206	.106	2.300	23	2.432	48	2-87589-0
4	4	2.106	.106	2.200	22	2.332	46	1-87589-9
4	4	2.006	.106	2.100	21	2.232	44	1-87589-8
4	4	1.906	.106	2.000	20	2.132	42	1-87589-7
4	4	1.806	.106	1.900	19	2.032	40	1-87589-6
4	4	1.706	.106	1.800	18	1.932	38	1-87589-5
4	4	1.606	.106	1.700	17	1.832	36	1-87589-4
4	4	1.506	.106	1.600	16	1.732	34	1-87589-3
4	4	1.406	.106	1.500	15	1.632	32	1-87589-2
4	4	1.306	.106	1.400	14	1.532	30	1-87589-1
4	4	1.206	.106	1.300	13	1.432	28	1-87589-0
4	4	1.106	.106	1.200	12	1.332	26	87589-9
4	4	1.006	.106	1.100	11	1.232	24	87589-8
4	4	.906	.106	1.000	10	1.132	22	87589-7
4	4	.806	.106	.900	9	1.032	20	87589-6
4	4	-	.406	.800	8	.932	18	87589-5
4	4	-	.306	.700	7	.832	16	87589-4
4	4	-	.306	.600	6	.732	14	87589-3
4	4	-	.206	.500	5	.632	12	87589-2
4	4	-	.206	.400	4	.532	10	87589-1

△3

THIS DRAWING IS A CONTROLLED DOCUMENT.

DWN	12 SEP 75
CHK	12 SEP 75
APVD	15 SEP 75

**STE** TE Connectivity

NAME: HEADER ASSEMBLY MOD II, .100 C/L  
.025 SQUARE POST, WITH DETENT

SIZE: A2 CAGE CODE: 00779 DRAWING NO: 87589 RESTRICTED TO: -

MATERIAL: HSG: GLASS FILLED NYLON  
COLOR: BLACK  
CONTACT: PHOS BRONZE

FINISH: SEE TABLE

WEIGHT: -

CUSTOMER DRAWING SCALE: 1:1 SHEET: 2 of 2 REV: R3

# Mouser Electronics

Authorized Distributor

Click to View Pricing, Inventory, Delivery & Lifecycle Information:

[TE Connectivity:](#)

[1-87589-3](#)