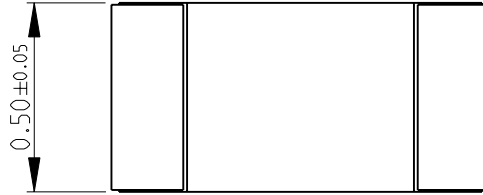
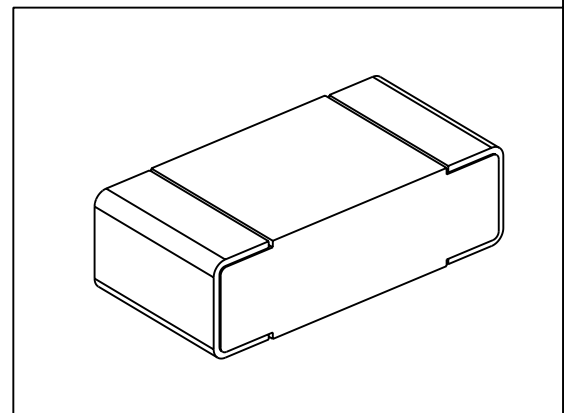


| LOC | DIST | REVISIONS | | | |
|-----|------|-------------|---------------------------|-----------|-----------|
| P | LTR | DESCRIPTION | DATE | DWN | APVD |
| E | B | BA1 | REVISED PER ECO-11-005150 | 29MAR2011 | RK HMR |

FOR FURTHER INFORMATION SEE DATA SHEET FOR
CPF SERIES-THIN FILM PRECISION CHIP RESISTORS



RoHS Compliant



2008

RELEASED FOR PUBLICATION

ALL RIGHTS RESERVED.

BY -

2008

THIS DRAWING IS UNPUBLISHED.



| | | | | | | |
|--|------------------|------------------|-----------------|-------------|---------------|---|
| DIMENSIONS: mm | DWN | 27-Sep-08 | MATERIAL | - | FINISH | - |
| | CHK | 27-Sep-08 | TE Connectivity | | | |
| TOLERANCES UNLESS OTHERWISE SPECIFIED: | APVD | 27-Sep-08 | | | | |
| | 0 PLC ± 0.2 | PRODUCT SPEC | SERIES CPF 0402 | | | |
| 1 PLC ± 0.1 | APPLICATION SPEC | SIZE | CAGE CODE | DRAWING NO | RESTRICTED TO | |
| 2 PLC ± - | - | A 4 | 00779 | © = 1879208 | - | |
| 3 PLC ± - | WEIGHT | CUSTOMER DRAWING | | | | |
| 4 PLC ± - | - | SCALE | 50:1 | SHEET | 1 OF 1 | |
| ANGLES ± 5° | - | | REV | BA1 | | |

Mouser Electronics

Authorized Distributor

Click to View Pricing, Inventory, Delivery & Lifecycle Information:

[TE Connectivity:](#)

[CPF0402B68RE1](#)