

AFCI CONFIDENTIAL

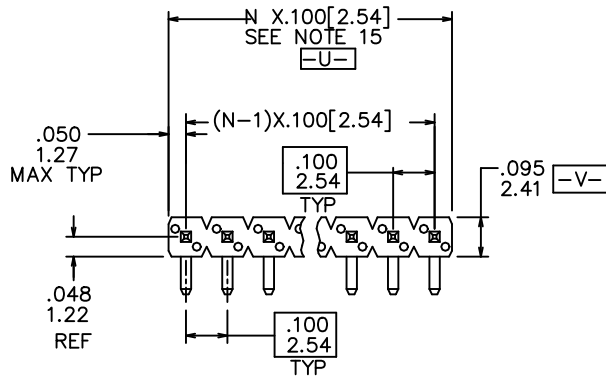
Amphenol FCI

This document is the property of and embodies CONFIDENTIAL and PROPRIETARY information of AFCI. No part of the information shown on this document may be used in any way or disclosed to others without the written consent of Amphenol Corporation. © 2020 Amphenol Corporation

PRODUCT NUMBER

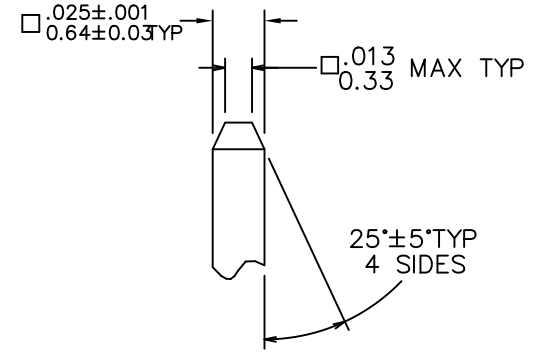
XXXXX-YYYHTLF

- LEAD FREE OPTION  
SEE NOTE 1,8
- PACKAGING OPTION  
SEE NOTE 1
- HIGH TEMPERATURE PLASTIC  
SEE NOTE 1
- NO OF POSITIONS  
SEE NOTE 1
- PIN PLATING  
SEE SHEET 2
- BASE PART NO.

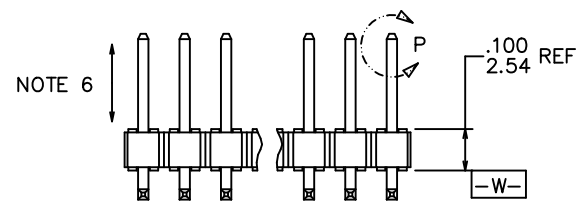


TOP VIEW

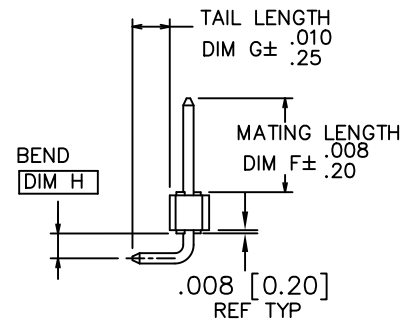
⊕ ∅.020/0.51 (M) U (M) V (S) W  
NOTE 4



DETAIL P  
TYP BOTH ENDS



SIDE VIEW



END VIEW

68015-X XX-XXX XXX LF

- TAIL LENGTH (EXAMPLE BELOW)  
3.0mm=030 12.8mm=128 (SEE NOTE 11 & 12)
- MATING LENGTH (EXAMPLE BELOW)  
5.0mm=050 25.5mm=255 (SEE NOTE 11 & 12)
- TOTAL NUMBER OF POSITION  
FROM 2 THRU 36 POS. (SEE NOTE 1)
- PIN PLATING (SEE NOTE 13)  
1=0.76µm Au  
4= PURE TIN  
8=0.36µm Au
- BASE PART NO.  
SINGLE ROW RIGHT ANGLE

mat'l. code SEE NOTE 2&3		surface ISO 1302 ✓		tolerance ISO 406 ISO 1101		projection 		product family BERGSTIK	
ltr	ecn	no	dr	date	tolerances unless otherwise specified		title		
BA	N11-0118	J.Z		04/11/11	angles	linear	BERGSTIK® II HEADER		
BB	ELX-N-16105	ZK		10/22/13			.100/2.54cc SR R/A		
BC	ELX-N-16356	ZK		11/25/13	X°±2°		scale 1:1		
BD	ELX-N-42692	MK		11/03/21	dr	T.BREWBAKER	01/31/95	dwg no	
BE	ELX-N-48897	JJ		08/01/23	enr	T.HANNA	01/31/95	sheet 1 of 4	
					chr	T.HANNA	01/31/95	size	
					appd	T.HANNA	01/31/95	A4	
sheet index		revision	BE	BE	BE	BE		type	
		sheet	1	2	3	4		Product Customer Drawing	

AFCI CONFIDENTIAL


Amphenol FCI

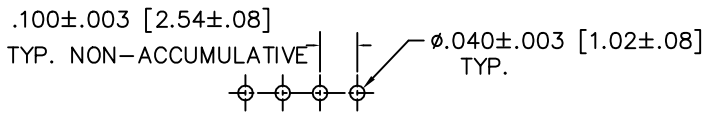
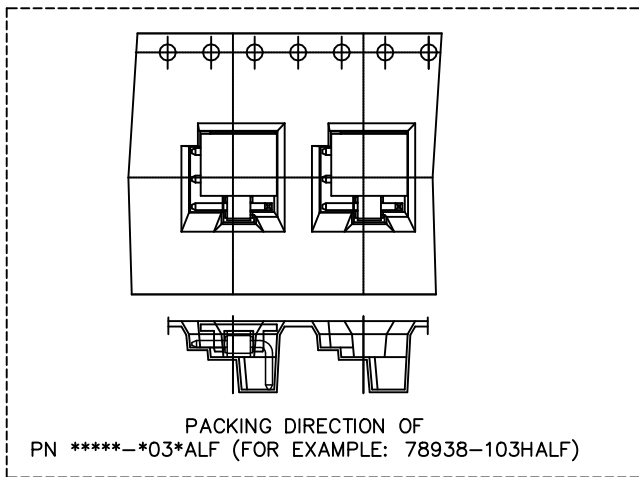
This document is the property of and embodies CONFIDENTIAL and PROPRIETARY information of AFCI. No part of the information shown on this document may be used in any way or disclosed to others without the written consent of Amphenol Corporation. © 2020 Amphenol Corporation

PIN PLATING CODES:	
XXXX-1YY	30u"/0.76u MIN (SEE NOTE 9) OVER 50u"/1.27u MIN Ni
XXXX-2YY	15u"/0.38u MIN (SEE NOTE 9) OVER 50u"/1.27u MIN Ni
XXXX-3YY	50u"/1.27u MIN (SEE NOTE 9) OVER 50u"/1.27u MIN Ni
XXXX-4YY	100u"/2.54u MIN Sn OVER 50u"/1.27u MIN Ni (SEE NOTE 10)
XXXX-4YYHLF	
XXXX-5YY	15u"/0.38u MIN (SEE NOTE 9) OVER 50u"/1.27u MIN Ni
XXXX-6YY	30u"/0.76u MIN (SEE NOTE 9) OVER 50u"/1.27u MIN Ni
XXXX-7YY	30u"/0.76u MIN (SEE NOTE 9) OVER 50u"/1.27u MIN Ni
XXXX-8YY	15u"/0.38u MIN (SEE NOTE 9) OVER 50u"/1.27u MIN Ni
XXXX-9YY	15u"/0.38u MIN (SEE NOTE 9) OVER 50u"/1.27u MIN Ni
XXXX-0YY	30u"/0.76u MIN (SEE NOTE 9) OVER 50u"/1.27u MIN Ni

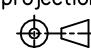
- 10. THIS PRODUCT HAS 100% TIN PLATING IN THE INTERFACE AND HAS NOT BEEN TESTED FOR WHISKER GROWTH IN ALL INTERCONNECT ENVIRONMENTS.
- 11. THE GALL DON'T EXCEED 31mm  
GALL= MATTING DIM+4.0mm<31mm WHERE THE SUM OF TAIL AND MATTING LENGTH DON'T EXCEED 27mm
- 12. INCREMENTS BY 0.1mm IN LENGTHS ONLY
- 13. FOR SPECIAL PACKAGING REQUEST PLEASE CONTACT PRODUCT MANAGER FOR AVAILABILITY
- 14. BEND DIMENSIONS AT 1.5mm ONLY
- 15. TO DETERMINE DIMENSIONS:  
N=NUMBER OF POSITION PER ROW  
EXAMPLE: 10 POS. N X .100/2.54

NOTES

- 1. PART NUMBER OPTIONS:  
PIN PLATING CODES (SEE ABOVE)  
HIGH TEMP. MATERIAL:  
PART NUMBERS WITH AND WITHOUT "H" WILL BE SUPPLIED WITH HIGH TEMPERATURE PLASTIC.  
NUMBER OF POSITION:  
ANY NUMBER OF POSITIONS FROM 2 THRU 36.   
PACKAGING:  
PACKAGED IN POLY BAGS.  
EIGHT DIGIT PART NUMBERS FOLLOWED BY A "T" ARE PACKAGED IN TUBES. SEE SPECIFIC PART NUMBERS FOR AVAILABILITY.  
EIGHT DIGIT PART NUMBERS FOLLOWED BY A "A" ARE PACKAGED IN TAPE & REEL WITH PICK UP CAP, COMMONLY CAP IS ASSEMBLED AT THE CENTER OF THE PRODUCT EXCEPT FOR THE PN \*\*\*\*\*-03\*ALF TO SEE RIGHT FIG.  
LEAD FREE:  
ADD "HLF" SUFFIX AT THE END OF PART NUMBER FOR LEAD FREE OPTION, NOT AVAILABLE FOR -5YY,-5YYH,-6YY & -6YYH.
- 2. BODY MATERIAL:  
MANUFACTURER'S OPTION OF NYLON OR PCT, GLASS FIBER REINFORCED, OR LCP MINERAL FILED FLAME RETARDENT PER UL-94V-0.  
COLOR: BLACK.  
PART NUMBERS WITH AND WITHOUT "H" SUFFIX WILL WITHSTAND EXPOSURE TO 260°C PEAK TEMPERATURE FOR 20 SECONDS IN WAVE SOLDER, INFRA-RED OR VAPOR PHASE SOLDER PROCESS.
- 3. PIN MATERIAL: PHOS-BRONZE.
- 4. MEASURED WITH PART IN RESTRAINED CONDITION.
- 5. TWO SIDES OF PIN TIPS NOT PLATED. TYPICAL BOTH ENDS.
- 6. 2LBS/0.9KG MIN PIN RETENTION IN EITHER DIRECTION.
- 7. MILITARY BERGSTIK HEADER  
P/N XXXXX-XY-MIL  
NOT AVAILABLE.
- 8. THESE PRODUCTS MEETS EUROPEAN UNION DIRECTIVES AND OTHER COUNTRY REGULATION AS DESCRIBED IN GS-22-008.
- 9. PLATING OPTIONS:  
PERFORMANCE PLATING WILL BE EITHER GOLD OR GXT ON POST OR TAIL, OPTIONALLY (78~295u"/2~7.5u) TIN ON TAIL.



RECOMMENDED HOLE PATTERN

mat'l. code		surface		tolerance		projection		product family	
SEE NOTE 2&3		ISO 1302 ✓		ISO 406 ISO 1101				BERGSTIK	
ltr	ecn	no	dr	date	tolerances unless otherwise specified		title		
BE					angles	linear	BERGSTIK® II HEADER		
					X±2'	.xxx±0.01/X±0.3	.100/2.54cc SR R/A		
						.xxx±0.005/X±0.13	dwg no		
						.xxx±0.0020/±0.051	sheet 2 of 4		
					dr	T.BREWBAKER 01/31/95	size		
					enr	T.HANNA 01/31/95	A4		
					chr	T.HANNA 01/31/95	68015		
					appd	T.HANNA 01/31/95	type Product Customer Drawing		
sheet	revision								
index	sheet								

AFCI CONFIDENTIAL

Amphenol FCI

This document is the property of and embodies CONFIDENTIAL and PROPRIETARY information of AFCI. No part of the information shown on this document may be used in any way or disclosed to others without the written consent of Amphenol Corporation. © 2020 Amphenol Corporation

PRODUCT NUMBER	MATING LENGTH		TAIL LENGTH		BEND DIM		PACKAGING	LF OPTION
	DIM F	DIM F	DIM G	DIM G	DIM H	DIM H		
	ENGLISH	METRIC	ENGLISH	METRIC	ENGLISH	METRIC		
68015-YYY	0.230	5.84	0.090	2.29	0.060	1.52	POLY BAGS/TUBES	NOTE 1,8
68016-YYY	0.230	5.84	0.120	3.05	0.060	1.52	POLY BAGS/TUBES	
68023-YYY	0.135	3.43	0.305	7.75	0.135	3.43	POLY BAGS	
68417-YYY	0.230	5.84	0.390	9.91	0.060	1.52	POLY BAGS	
68423-YYY	0.318	8.08	0.120	3.05	0.060	1.52	POLY BAGS/TUBES	
68458-YYY	0.318	8.08	0.110	2.79	0.060	1.52	POLY BAGS	
68461-YYY	0.400	10.16	0.320	8.13	0.260	6.60	POLY BAGS	
<del>68468-YYY</del>	<del>0.230</del>	<del>5.84</del>	<del>0.195</del>	<del>4.95</del>	<del>0.160</del>	<del>4.06</del>	<del>POLY BAGS</del>	
68488-YYY	0.230	5.84	0.180	4.57	0.060	1.52	POLY BAGS	
<del>68494-YYY</del>	<del>0.400</del>	<del>10.16</del>	<del>0.110</del>	<del>2.79</del>	<del>0.060</del>	<del>1.52</del>	<del>POLY BAGS</del>	
68498-YYY	0.230	5.84	0.220	5.59	0.160	4.06	POLY BAGS	
68626-YYY	0.230	5.84	0.295	7.49	0.060	1.52	POLY BAGS	
<del>68627-YYY</del>	<del>0.120</del>	<del>3.05</del>	<del>0.185</del>	<del>4.70</del>	<del>0.150</del>	<del>3.81</del>	<del>POLY BAGS</del>	
<del>68628-YYY</del>	<del>0.230</del>	<del>5.84</del>	<del>0.590</del>	<del>14.99</del>	<del>0.060</del>	<del>1.52</del>	<del>POLY BAGS</del>	
<del>68641-YYY</del>	<del>0.230</del>	<del>5.84</del>	<del>0.490</del>	<del>12.45</del>	<del>0.060</del>	<del>1.52</del>	<del>POLY BAGS</del>	
<del>68660-YYY</del>	<del>0.110</del>	<del>2.79</del>	<del>0.230</del>	<del>5.84</del>	<del>0.135</del>	<del>3.43</del>	<del>POLY BAGS</del>	
<del>68694-YYY</del>	<del>0.600</del>	<del>15.24</del>	<del>0.120</del>	<del>3.05</del>	<del>0.060</del>	<del>1.52</del>	<del>POLY BAGS</del>	
68757-YYY	0.350	8.89	0.220	5.59	0.100	2.54	POLY BAGS	
68758-YYY	0.275	6.99	0.120	3.05	0.060	1.52	POLY BAGS	
68764-YYY	0.100	2.54	0.120	3.05	0.060	1.52	POLY BAGS	
<del>68782-YYY</del>	<del>0.318</del>	<del>8.08</del>	<del>0.180</del>	<del>4.57</del>	<del>0.060</del>	<del>1.52</del>	<del>POLY BAGS</del>	
68798-YYY	0.110	2.79	0.230	5.84	0.160	4.06	POLY BAGS	
<del>69189-YYY</del>	<del>0.310</del>	<del>7.87</del>	<del>0.250</del>	<del>6.35</del>	<del>0.060</del>	<del>1.52</del>	<del>POLY BAGS</del>	
<del>71270-YYY</del>	<del>0.600</del>	<del>15.24</del>	<del>0.180</del>	<del>4.80</del>	<del>0.060</del>	<del>1.52</del>	<del>POLY BAGS</del>	
<del>72342-YYY</del>	<del>0.120</del>	<del>3.05</del>	<del>0.250</del>	<del>6.35</del>	<del>0.060</del>	<del>1.52</del>	<del>POLY BAGS</del>	
<del>78230-YYY</del>	<del>0.310</del>	<del>7.87</del>	<del>0.330</del>	<del>8.38</del>	<del>0.060</del>	<del>1.52</del>	<del>POLY BAGS</del>	
<del>78231-YYY</del>	<del>0.310</del>	<del>7.87</del>	<del>0.290</del>	<del>7.37</del>	<del>0.060</del>	<del>1.52</del>	<del>POLY BAGS</del>	

mat'l. code SEE NOTE 2&3		surface ISO 1302 ✓	tolerance ISO 406 ISO 1101	projection 	product family BERGSTIK
ltr	ecn no dr date	tolerances unless otherwise specified		INCH/mm	title BERGSTIK® II HEADER .100/2.54cc SR R/A
BE		angles	linear		
		X±2'		scale 1:1	dwg no 68015 sheet 3 of 4 size A4
		dr	T.BREWBAKER 01/31/95	Amphenol FCI	
		engr	T.HANNA 01/31/95		
		chr	T.HANNA 01/31/95		
		appd	T.HANNA 01/31/95	type Product Customer Drawing	
sheet index	revision sheet				

AFCI CONFIDENTIAL

Amphenol FCI

This document is the property of and embodies CONFIDENTIAL and PROPRIETARY information of AFCI. No part of the information shown on this document may be used in any way or disclosed to others without the written consent of Amphenol Corporation. © 2020 Amphenol Corporation

PRODUCT NUMBER	MATING LENGTH		TAIL LENGTH		BEND DIM		PACKAGING	LF OPTION
	DIM F	DIM F	DIM G	DIM G	DIM H	DIM H		
	ENGLISH	METRIC	ENGLISH	METRIC	ENGLISH	METRIC		
78234-XY	0.230	5.84	0.140	3.56	0.160	4.06	POLY BAGS	OB
78541-XY	0.318	8.08	0.080	2.03	0.060	1.52	POLY BAGS	OB
78587-YYY			UNAVAILABLE					
78938-XY	0.120	3.05	0.120	3.05	0.060	1.52	POLY BAGS	NOTE 1,8
78955-XY	0.075	1.91	0.090	2.29	0.060	1.52	POLY BAGS	OB
78978-XY	0.120	3.05	0.318	8.08	0.135	3.43	POLY BAGS	OB
79409-YYY			UNAVAILABLE					
84846-XYH	0.140	3.56	0.290	7.37	0.153	3.89	POLY BAGS	OB
84917-XYH	0.090	2.29	0.195	4.95	0.190	4.83	POLY BAGS	OB
84935-XYH	0.450	11.43	0.320	8.13	0.260	6.60	POLY BAGS	OB
84936-XYH	0.350	8.89	0.120	3.05	0.060	1.52	POLY BAGS	OB
87532-XYH	0.230	5.84	0.890	22.61	0.060	1.52	POLY BAGS	OB
88813-XY	0.230	5.84	0.085	2.16	0.060	1.52	POLY BAGS	OB
92050-XY	0.162	4.11	0.120	3.05	0.060	1.52	POLY BAGS	OB
92632-XY	0.100	2.54	0.318	8.08	0.060	1.52	POLY BAGS	OB
92909-XY	0.400	10.16	0.220	5.59	0.060	1.52	POLY BAGS	OB
94099-XY	0.157	3.99	0.090	2.29	0.060	1.52	POLY BAGS	OB
94529-XYH	0.120	3.05	0.295	7.49	0.135	3.43	POLY BAGS	OB
94671-XYH	0.090	2.29	0.085	2.16	0.180	4.57	POLY BAGS	OB
95653-XYH	0.330	8.38	0.310	7.87	0.160	4.06	POLY BAGS	OB
95666-XYH	0.230	5.84	0.145	3.68	0.060	1.52	POLY BAGS	OB
10089061-YYY	0.125	3.18	0.318	8.08	0.135	3.43	POLY BAGS	OB

mat'l. code SEE NOTE 2&3		surface ISO 1302 <input checked="" type="checkbox"/>		tolerance ISO 406 ISO 1101		projection 		product family BERGSTIK	
ltr	ecn	no	dr	date	tolerances unless otherwise specified			title	
BE					angles	linear		BERGSTIK® II HEADER	
					X°±2'			INCH/mm	
					dr			scale 1:1	
					engr	T.BREWBAKER	01/31/95	dwg no sheet 4 of 4 size	
					chr	T.HANNA	01/31/95	68015 A4	
					appd	T.HANNA	01/31/95	type Product Customer Drawing	
sheet index	revision sheet								