

## Base strip - PC 6-16/ 2-G-10,16 - 1913646

Please be informed that the data shown in this PDF Document is generated from our Online Catalog. Please find the complete data in the user's documentation. Our General Terms of Use for Downloads are valid (<http://phoenixcontact.com/download>)

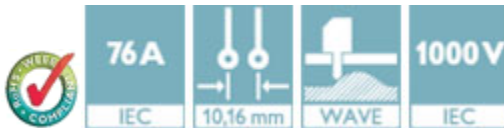


Header, Nominal current: 76 A, Rated voltage (III/2): 1000 V, Number of positions: 2, Pitch: 10.16 mm, Color: green, Contact surface: Silver, Mounting: Wave soldering, The nominal current of 76 A applies in connection with connectors from the PC 16 family. 41 A are reached in connection with PC 6 connectors (50 A in accordance with UL).


The illustration shows an 8-position version

### Product Features

- Well-known mounting principle allows worldwide use
- Maximum flexibility when it comes to device design – one header for connectors with different connection technologies



### Key Commercial Data

Packing unit	1 pc
Minimum order quantity	50 pc
GTIN	 4 017918 179120
Weight per Piece (excluding packing)	8.75 g
Custom tariff number	85366990
Country of origin	Poland

### Technical data

#### Dimensions

Length	32 mm
Pitch	10.16 mm
Dimension a	10.16 mm
Constructional height	14 mm
Height	13.7 mm
Length of the solder pin	5 mm

## Base strip - PC 6-16/ 2-G-10,16 - 1913646

### Technical data

#### Dimensions

Pin dimensions	0.8 x 1.2 mm
Pin spacing	10.16 mm
Hole diameter	1.7 mm

#### General

Range of articles	PC 6-16/..-G
Insulating material group	I
Rated surge voltage (III/3)	6 kV
Rated surge voltage (III/2)	8 kV
Rated surge voltage (II/2)	8 kV
Rated voltage (III/3)	630 V
Rated voltage (III/2)	1000 V
Rated voltage (II/2)	1000 V
Connection in acc. with standard	EN-VDE
Nominal current I <sub>N</sub>	76 A (41 A in combination with PC 6 plug)
Maximum load current	76 A
Insulating material	PA
Color	green
Number of positions	2

#### Standards and Regulations

Connection in acc. with standard	EN-VDE
	CUL

### Classifications

#### eCl@ss

eCl@ss 4.0	272607xx
eCl@ss 4.1	27260701
eCl@ss 5.0	27260701
eCl@ss 5.1	27260701
eCl@ss 6.0	27260704
eCl@ss 7.0	27440402
eCl@ss 8.0	27440402
eCl@ss 9.0	27440402

#### ETIM

ETIM 3.0	EC001121
----------	----------

## Base strip - PC 6-16/ 2-G-10,16 - 1913646

### Classifications

#### ETIM

ETIM 4.0	EC002637
ETIM 5.0	EC002637

#### UNSPSC

UNSPSC 6.01	30211810
UNSPSC 7.0901	39121409
UNSPSC 11	39121409
UNSPSC 12.01	39121409
UNSPSC 13.2	39121409

### Approvals

#### Approvals


#### Approvals

UL Recognized / SEV / cUL Recognized / EAC / IECCE CB Scheme / EAC / cULus Recognized

#### Ex Approvals

#### Approvals submitted

### Approval details

UL Recognized 			
	B	C	D
Nominal current IN	66 A	66 A	5 A
Nominal voltage UN	300 V	300 V	600 V

SEV	
Nominal current IN	76 A
Nominal voltage UN	1000 V

# Base strip - PC 6-16/ 2-G-10,16 - 1913646

## Approvals

cUL Recognized			
	B	C	D
Nominal current I <sub>N</sub>	66 A	66 A	5 A
Nominal voltage U <sub>N</sub>	300 V	300 V	600 V

EAC

IECEE CB Scheme	
Nominal current I <sub>N</sub>	76 A
Nominal voltage U <sub>N</sub>	1000 V

EAC

cULus Recognized

## Accessories

Accessories

Coding element

Coding profile - CP-HCC 4 - 1600027

Coding profile, Number of positions: 1, Color: red



## Base strip - PC 6-16/ 2-G-10,16 - 1913646

### Accessories

Accessories - CS-IPC 16/ 6 - 1970016



Coding pin, serves to ensure correct polarization on the PCB during manual mounting

---

### Additional products

Printed-circuit board connector - PC 6/ 2-ST-10,16 - 1913507



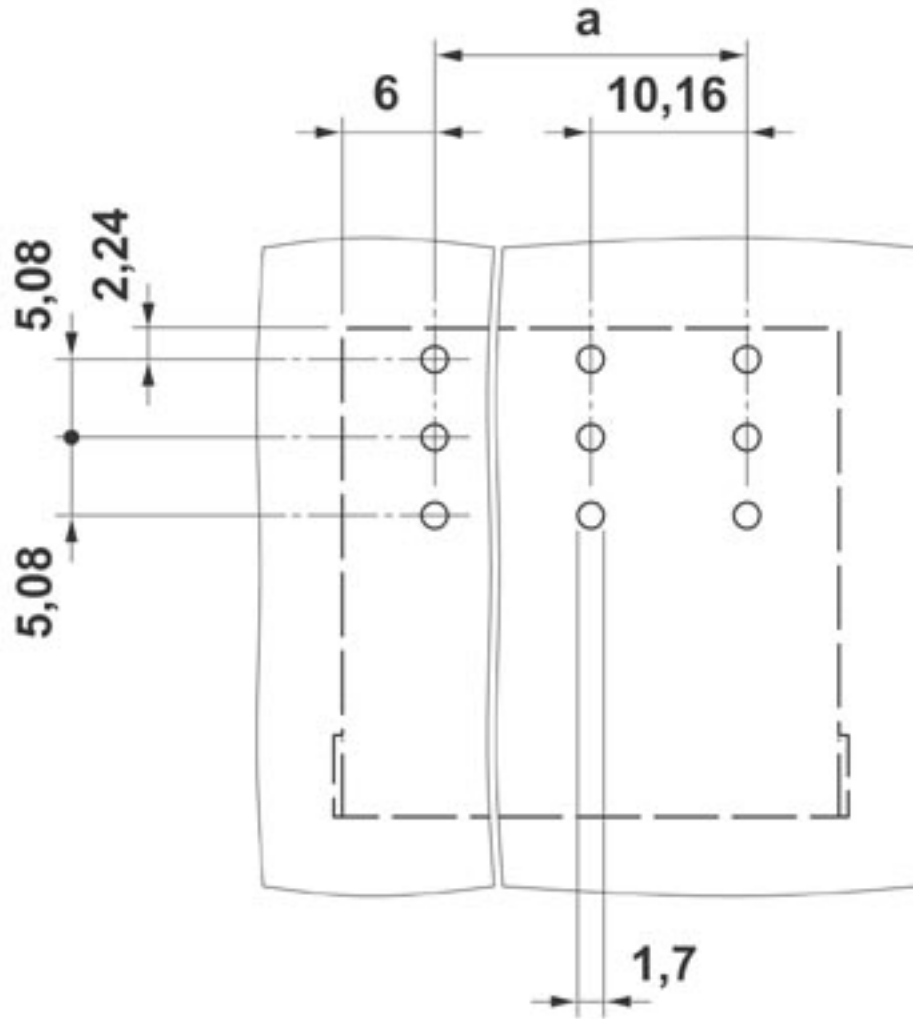
Plug component, Nominal current: 41 A, Rated voltage (III/2): 1000 V, Number of positions: 2, Pitch: 10.16 mm, Connection method: Screw connection with tension sleeve, Color: green, Contact surface: Silver

---

### Drawings

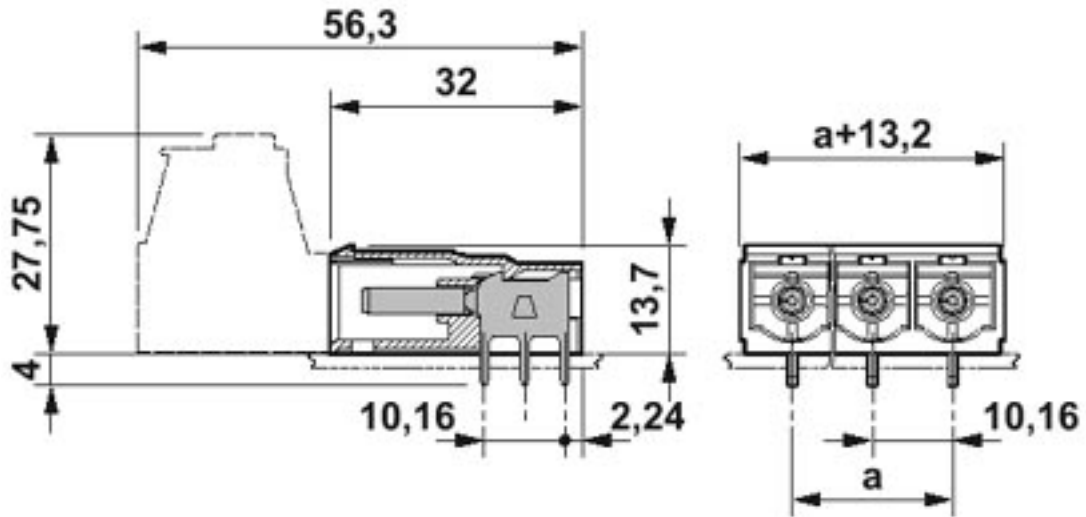
# Base strip - PC 6-16/ 2-G-10,16 - 1913646

Drilling diagram



## Base strip - PC 6-16/ 2-G-10,16 - 1913646

Dimensional drawing



# Mouser Electronics

Authorized Distributor

Click to View Pricing, Inventory, Delivery & Lifecycle Information:

[Phoenix Contact:](#)

[1913646](#)