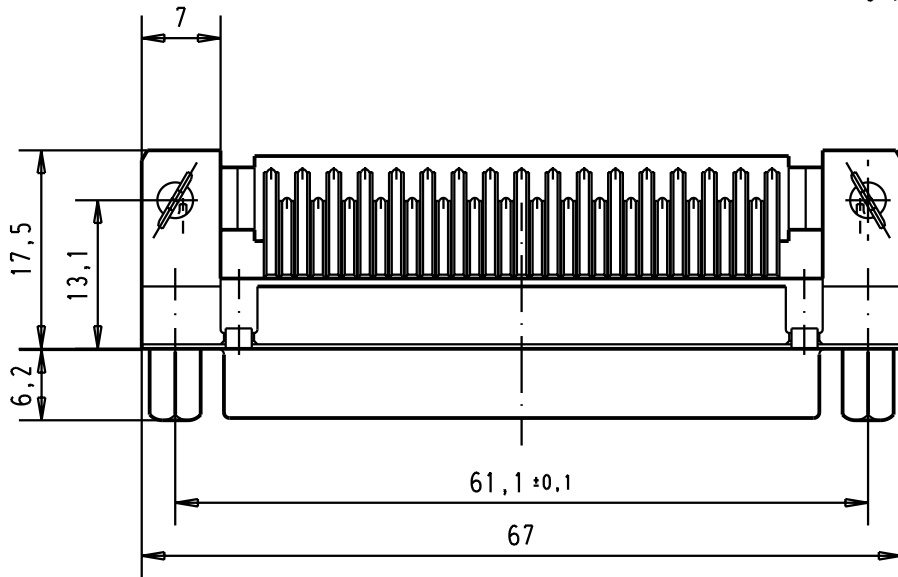
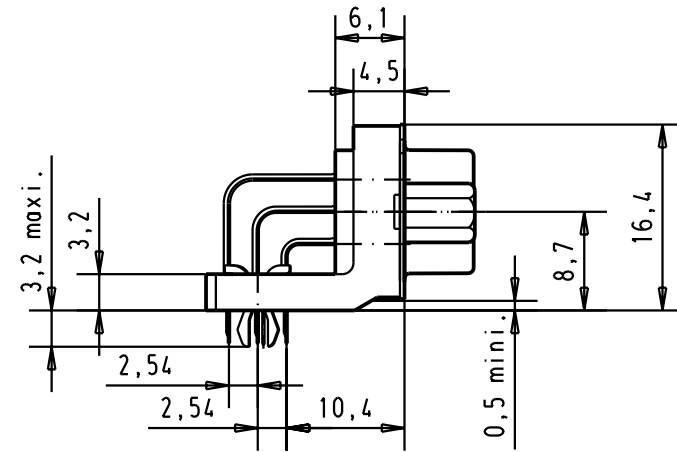
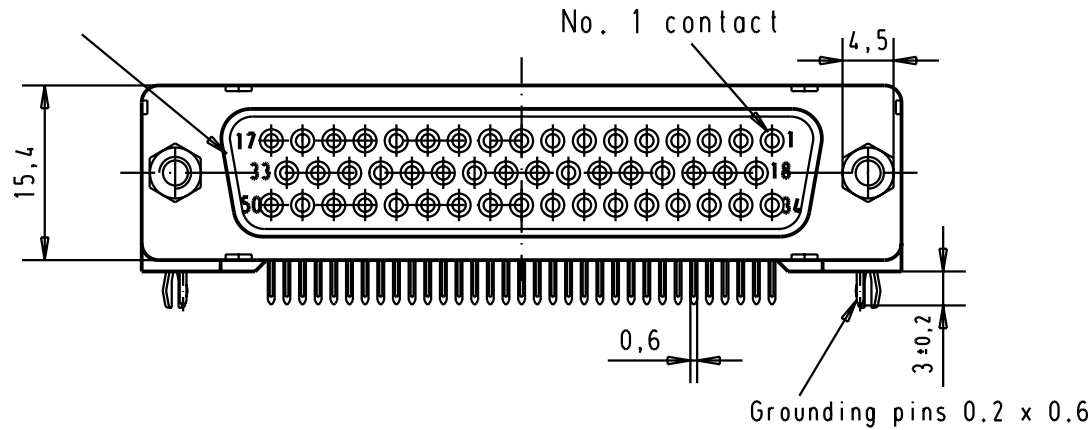
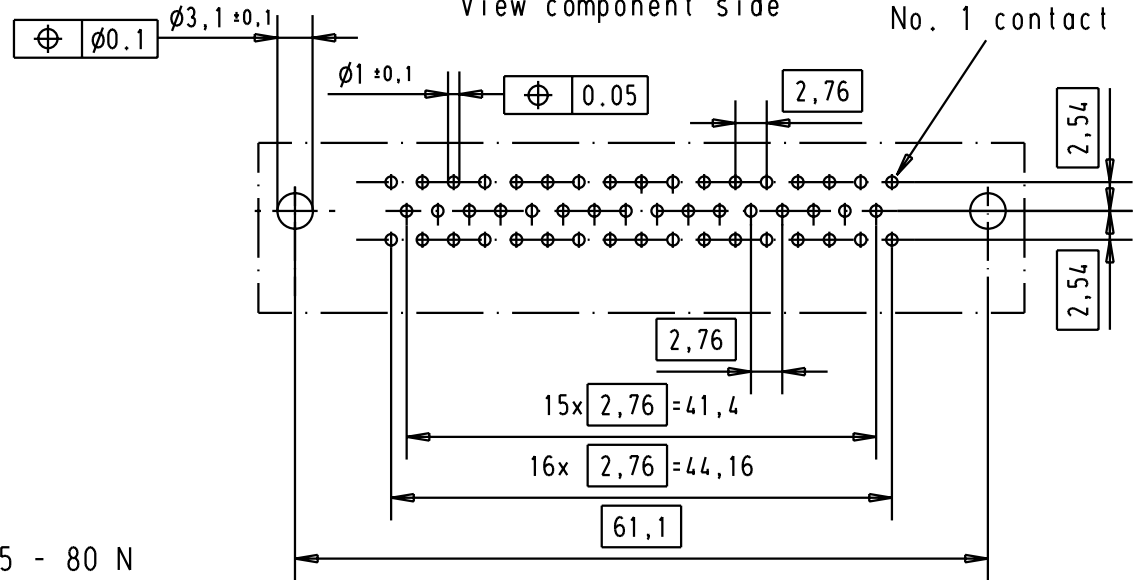


Mating face according to MIL-C-24308 / DIN 41 652 / CECC 75301-802



Mounting force on Printed board : 25 - 80 N

Printed board layout (1,6 ± 0,2 thick)
View component side



A	09 66 552 6633	M3	2							<p>All Dim. in mm Orig. Size DIN A 4</p>	D-Sub female angled 50 poles with solder pins, screw-lock, board lock and grounding pins	Maßstab/ Scale 1,5:1
	09 66 552 7633	M3	3									
	09 66 552 5633	M3	0,76 µm Au									
	09 66 552 6613	4-40 UNC	2									
	09 66 552 7613	4-40 UNC	3									
	09 66 552 5613	4-40 UNC	0,76 µm Au	31084	04/SEP/02	YT						
	Part number	screw-lock	Performance level	Mod.	Dat.	Name	HARTING EURL F-95972 Paris				TB 09 66 552 X6X3 Sub.	Blatt/ Page 1/

Mouser Electronics

Authorized Distributor

Click to View Pricing, Inventory, Delivery & Lifecycle Information:

[HARTING:](#)

[09665526613](#) [09665527613](#)