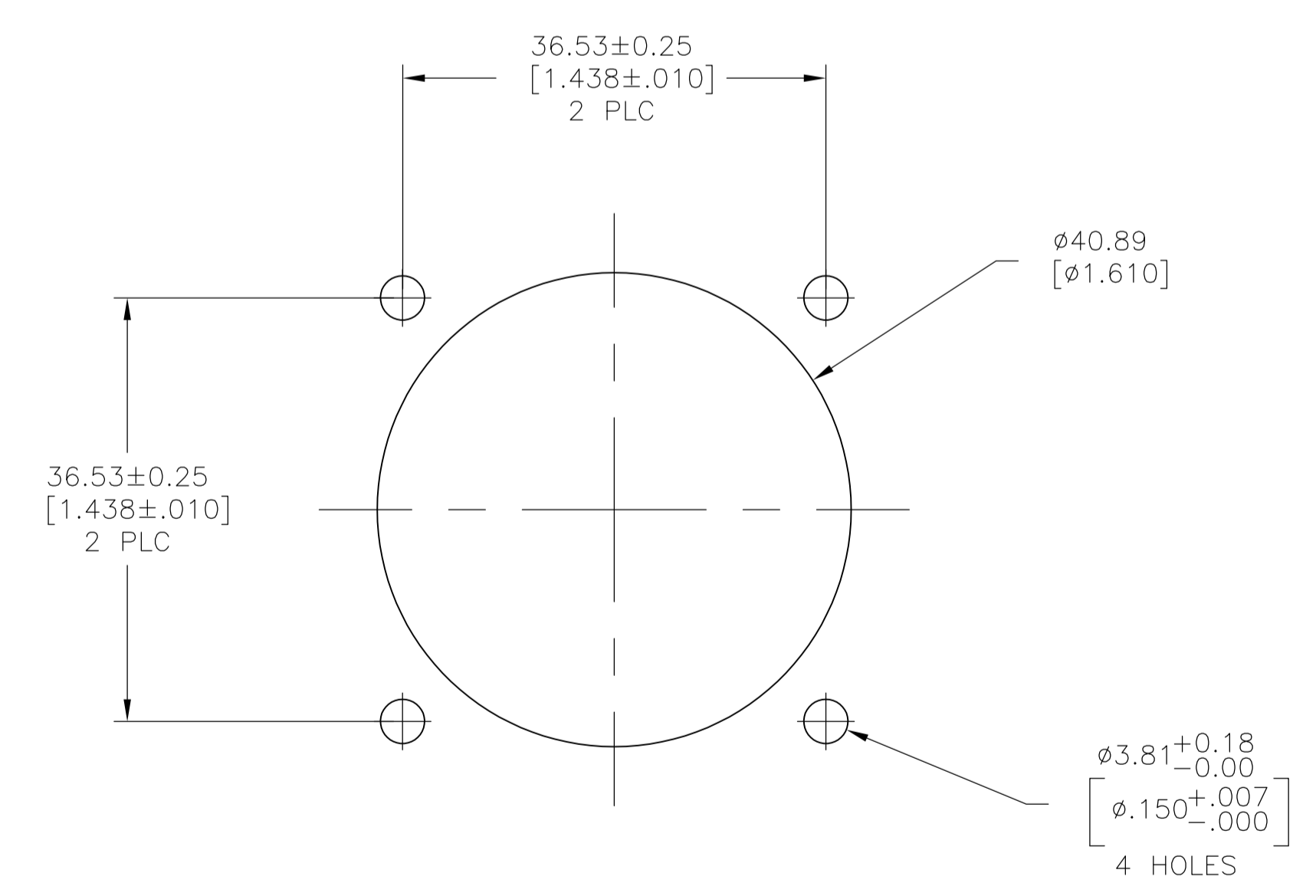
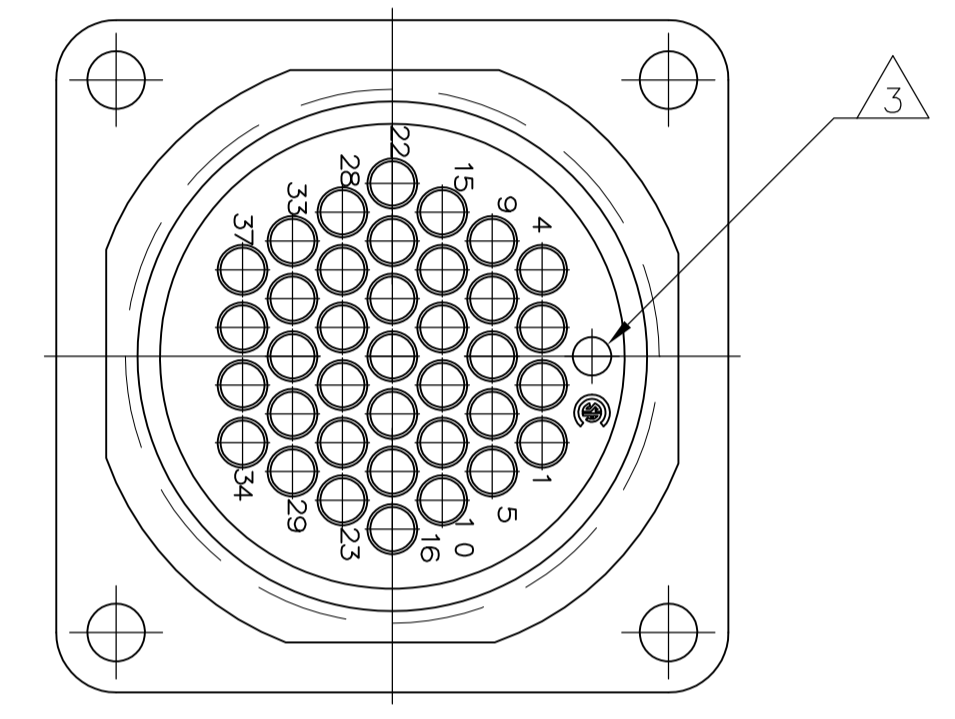
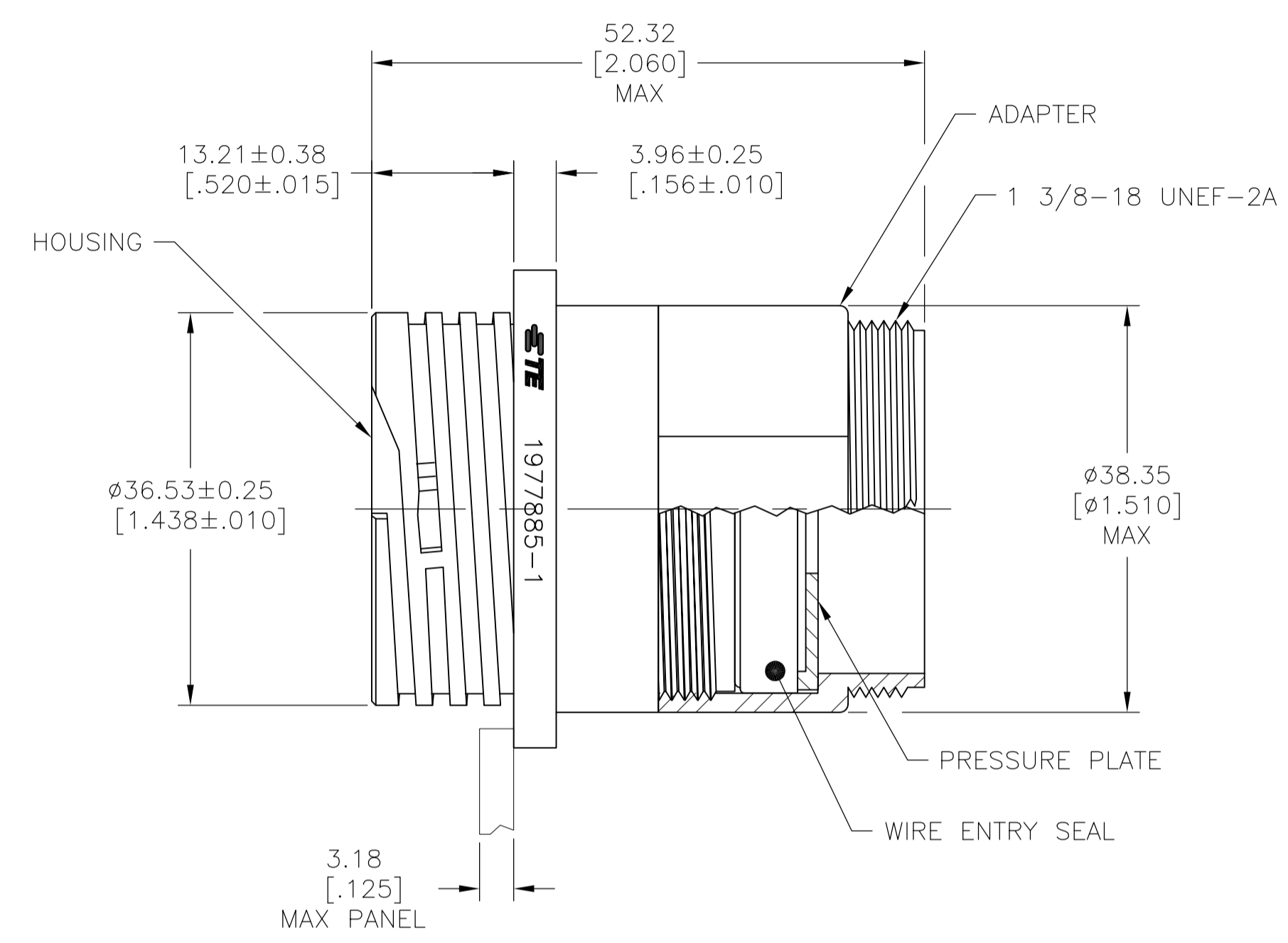
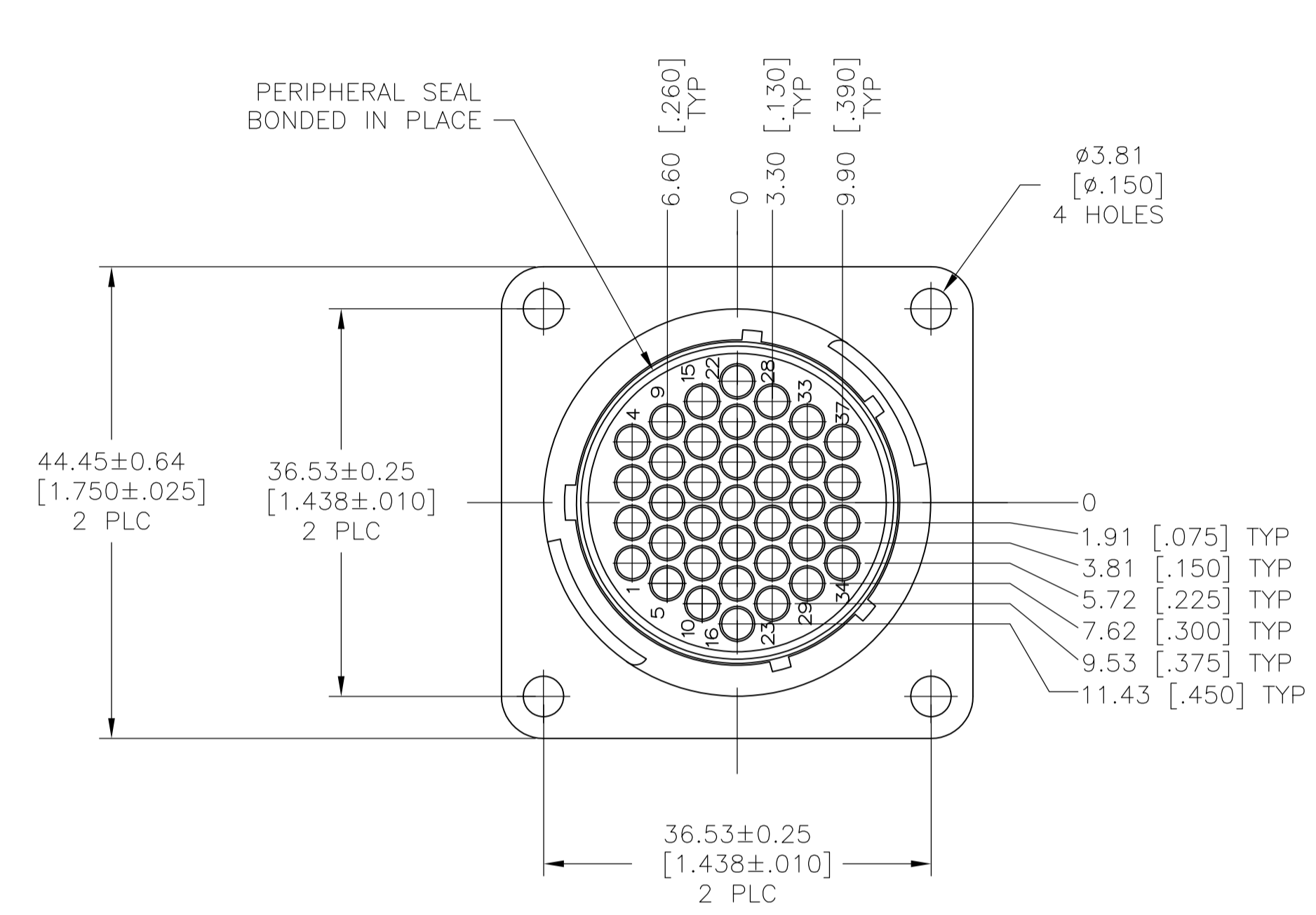


LOC		DIST		REVISIONS			
FT	0	P	LTR	DESCRIPTION	DATE	DN	APVD
A				NEW DRAWING PER ECO-12-018480	08NOV12	KH	MZ

- 1 ADAPTER AND HOUSING: NYLON, BLACK.
WIRE ENTRY SEAL: ELASTOMER, RED-IRON OXIDE.
PERIPHERAL SEAL: ELASTOMER, GREY.
- 2 CONNECTOR WILL ACCEPT (37) MULTIMATE PIN CONTACTS.
- 3 ORIENTATION HOLE USED IN THE MANUFACTURING PROCESS ONLY.
THIS HOLE IS NOT INTENDED FOR WIRE INSERTION.



RECOMMENDED PANEL CUTOUT

1977885-1
PART NUMBER

THIS DRAWING IS A CONTROLLED DOCUMENT.		DN KIRAN HOLAL 08NOV12	TE Connectivity	
DIMENSIONS: mm [INCHES]		CHK M ZITTO 08NOV12	NAME CPC SQUARE FLANGE RECEPTACLE ASSEMBLY, SERIES 1, SEALED, 23-37, STANDARD SEX, UV RESISTANT	
TOLERANCES UNLESS OTHERWISE SPECIFIED:		APVD M ZITTO 08NOV12	PRODUCT SPEC 108-1579	
0 PLC ± -		APPLICATION SPEC		
1 PLC ± -		SIZE A1		
2 PLC ± 0.13(.005)		CAGE CODE 00779		
3 PLC ± -		DRAWING NO 1977885		
4 PLC ± -		RESTRICTED TO		
ANGLES ± -		WEIGHT		
MATERIAL		CUSTOMER DRAWING		
FINISH		SCALE 2:1 SHEET 1 OF 1 REV A		

Mouser Electronics

Authorized Distributor

Click to View Pricing, Inventory, Delivery & Lifecycle Information:

[TE Connectivity:](#)

[1977885-1](#)