

NOTES:

- MATERIAL:
METAL SHELL: BRASS
HOUSING: POLYAMIDE, UL94 V-0, COLOR BLACK
INSERT: POLYAMIDE, UL94 V-0, COLOR BLACK
TERMINAL: PHOSPHOR BRONZE
- PLATING:
TERMINAL:
CONTACT AREA: GOLD(Au), THICKNESS=50 MICROINCH/1.27 MICROMETER
SOLDER TAIL: TIN(Sn), THICKNESS=100 MICROINCH MINIMUM
UNDER PLATE: NICKEL (Ni), THICKNESS=50 MICROINCH/1.27 MICROMETER
METAL SHELL:
SOLDER AREA: TIN(Sn), THICKNESS=100 MICROINCH MINIMUM
UNDER PLATE: NICKEL (Ni), (SOLDERING AVAILABLE)
SURFACE APPEARANCE: BRIGHT.
- RECOMMENDED PCB THICKNESS: 1.60±0.05
- PRODUCT SPECIFICATION REFER TO PS-48025-002
- TEST SUMMARY REFER TO TS-48025-005
- PACKAGING SPECIFICATION REFER TO PK-48025-001
- LEAD FREE AND ROHS COMPLIANCE PRODUCT.

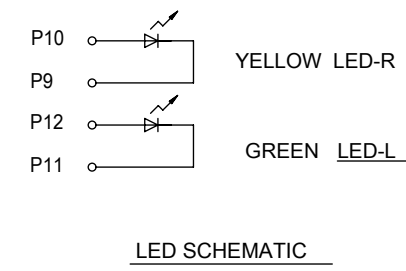
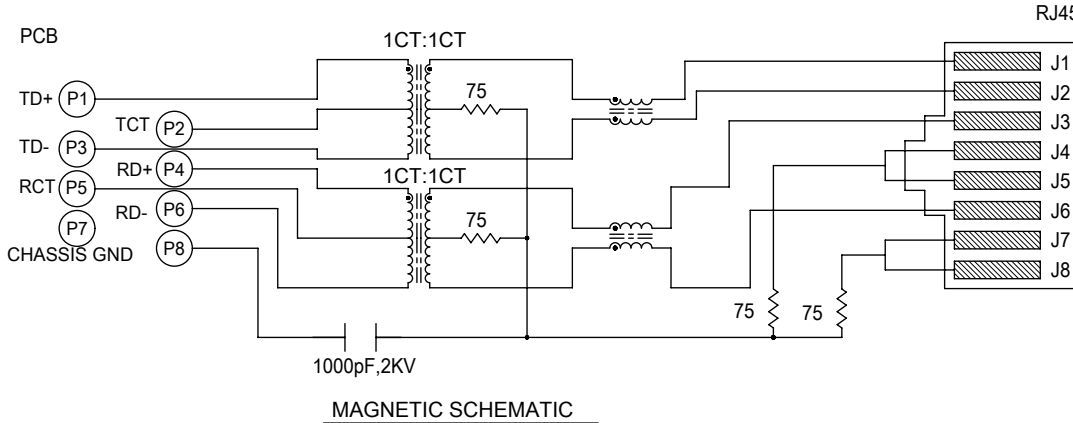
THIS DRAWING CONTAINS INFORMATION THAT IS PROPRIETARY TO MOLEX ELECTRONIC TECHNOLOGIES, LLC AND SHOULD NOT BE USED WITHOUT WRITTEN PERMISSION												
QUALITY SYMBOLS	EC NO: 168908 DRWN: MFAN08 CHK'D: MFAN08 APPR: XQHE	2017/11/21 2017/12/01 2017/12/01	GENERAL TOLERANCES (UNLESS SPECIFIED)		DIMENSION UNITS	SCALE						
			ANGULAR TOL ± 3.0 °		mm	1:1						
▽ = 0	DRAFT WHERE APPLICABLE MUST REMAIN WITHIN DIMENSIONS	4 PLACES ± 3 PLACES ± 2 PLACES ± 0.25 1 PLACE ± 0.25 0 PLACES ±	RZhang		DRWN BY	DATE	MODULAR JACK WITH INTEGRATED MAGNETICS LED (LEAD FREE VERSION)					
▽ = 0			RZhang		CHK'D BY	DATE						
▽ = 0			RZhang		APPR BY	DATE						
▽ = 0			RZhang		2012/06/22		PRODUCT CUSTOMER DRAWING					
▽ = 0			RZhang		DRAWING SIZE	THIRD ANGLE PROJECTION	SERIES	MATERIAL NUMBER	CUSTOMER			
▽ = 0			RZhang		A4		48025	480254000	GENERAL MARKET			
▽ = 0	RZhang				DOCUMENT NUMBER		DOC TYPE	DOC PART	SHEET NUMBER			
▽ = 0	RZhang				SD-48025-005		PSD	001	1 OF 2			

MAGNETIC ELECTRICAL SPECIFICATIONS:

- 1.0 TURNS RATIO:(P4-P5-P6):(J3-J6):1CT:1CT
(P3-P2-P1):(J1-J2):1CT:1CT
- 2.0 INDUCTANCE:(P4-P6):350uH MIN. @0.1V,100KHz,8mA DC Bias.
(P3-P1):350uH MIN. @0.1V,100KHz,8mA DC Bias.
- 3.0 LEAKAGE INDUCTANCE:P6-P5-P4(WITH J6 AND J3 SHORT):0.3 MAX.@1MHz.
P3-P2-P1(WITH J2 AND J1 SHORT):0.3 MAX.@1MHz.
- 4.0 INTERWINDING CAPACITANCE:(P6,P5,P4) TO (J6,J3):30pf MAX @1MHz.
(P3,P2,P1) TO (J2,J1):30pf MAX @1MHz.
- 5.0 DC RESISTANCE:(J6-J3)=(J2-J1):1.3 ohms Max.
- 6.0 RETURN LOSS:(P4-P6)(P1-P3)
1MHz TO 30MHz:18dB min.
30MHz TO 80MHz:12dB min.
NOTE:100 OHMS CONNECTED TO (J2-J1) OR (J3-J6).
- 7.0 HI-POT:(J1,J2) TO (P1,P3):1500 VAC OR 2250 VDC.
(J3,J6) TO (P4,P6):1500 VAC OR 2250 VDC.
- 8.0 INSERTION LOSS:1.1 dB MAX.
100KHz TO 100MHz.
- 9.0 CROSS TALK:1-100 MHz:30 dB MIN.
- 10.0 COMMON TO COMMON MODE REJECTION:1MHz TO 100MHz:35 dB MIN.

LED ELECTRICAL SPECIFICATION

PARAMETER	YELLOW (TYP.)		GREEN (TYP.)		UNITS	TEST CONDITIONS
POWER DISSIPATION	105		105		mW	
REVERSE VOLTAGE	5		5		V	
PEAK WAVELENGTH	585		565		nm	IF=20mA
FORWARD VOLTAGE	2.1	MAX.=2.5	2.2	MAX.=2.5	V	IF=20mA



QUALITY SYMBOLS 	THIS DRAWING CONTAINS INFORMATION THAT IS PROPRIETARY TO MOLEX ELECTRONIC TECHNOLOGIES, LLC AND SHOULD NOT BE USED WITHOUT WRITTEN PERMISSION														
	2017/11/21 2017/12/01 2017/12/01	GENERAL TOLERANCES (UNLESS SPECIFIED) ANGULAR TOL ± 3.0 ° 4 PLACES ± 3 PLACES ± 2 PLACES ± 0.25 1 PLACE ± 0.25 0 PLACES ±		DIMENSION UNITS mm	SCALE 1:1										
EC NO: 168908 DRWN: MFAN08 CHK'D: MFAN08 APPR: XQHE	DRAFT WHERE APPLICABLE MUST REMAIN WITHIN DIMENSIONS		DRWN BY RLI09	DATE 2012/05/23	CHK'D BY MFAN08						DATE 2017/12/01	APPR BY RZHANG	DATE 2012/06/22	DRAWING SIZE A4	THIRD ANGLE PROJECTION
RELEASE STATUS P1 RELEASE DATE 01.12.2017 09:35:13										SERIES MATERIAL NUMBER CUSTOMER 48025 480254000 GENERAL MARKET					
										DOCUMENT NUMBER DOC TYPE DOC PART SHEET NUMBER SD-48025-005 PSD 001 2 OF 2					

Mouser Electronics

Authorized Distributor

Click to View Pricing, Inventory, Delivery & Lifecycle Information:

[Molex:](#)

[48025-4000](#)