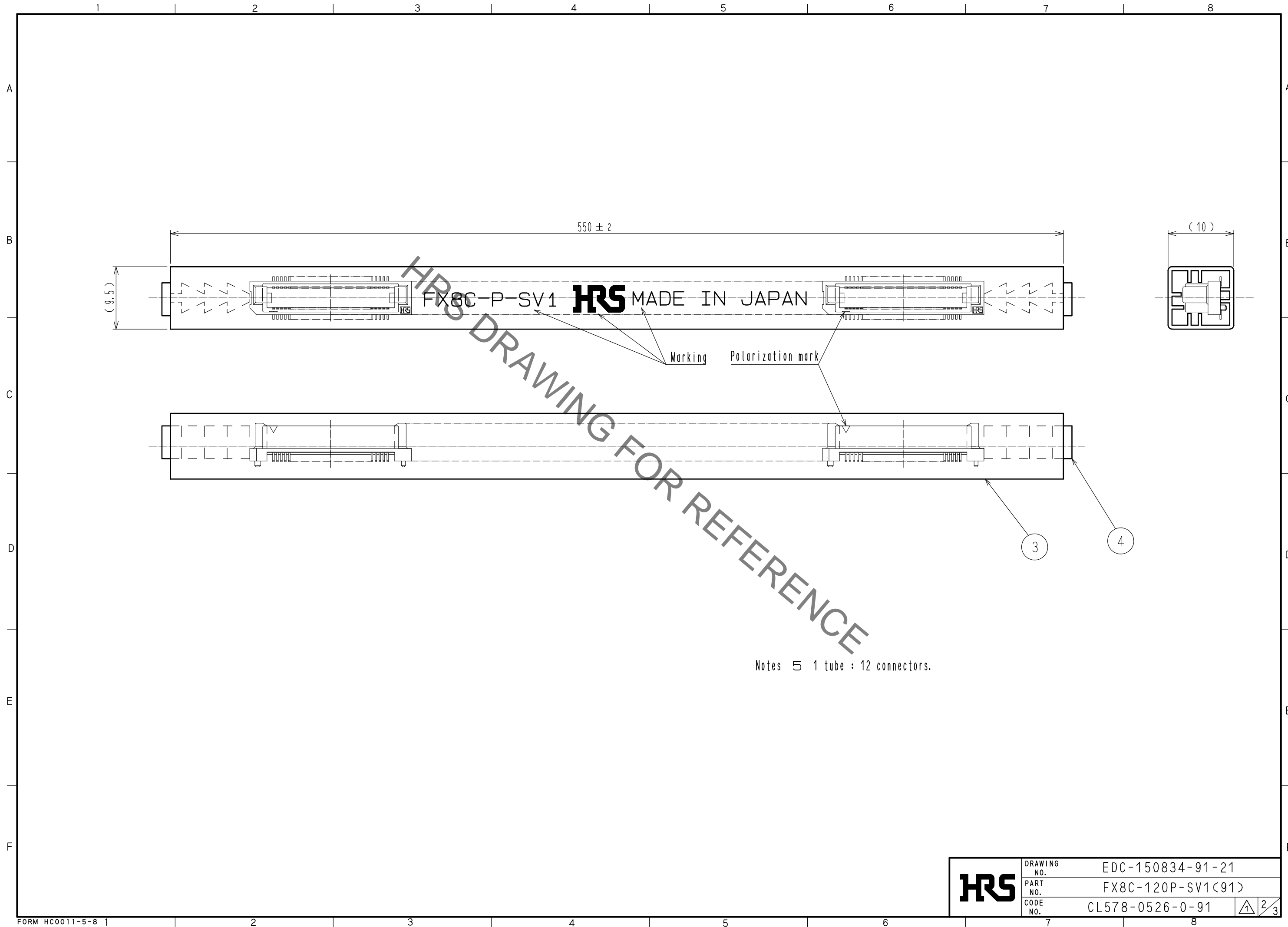


Oct.1.2020 Copyright 2020 HIROSE ELECTRIC CO., LTD. All Rights Reserved.
In case of consideration for using Automotive equipment / device which demand high reliability, kindly contact our sales window correspondents.



Notes 5 1 tube : 12 connectors.

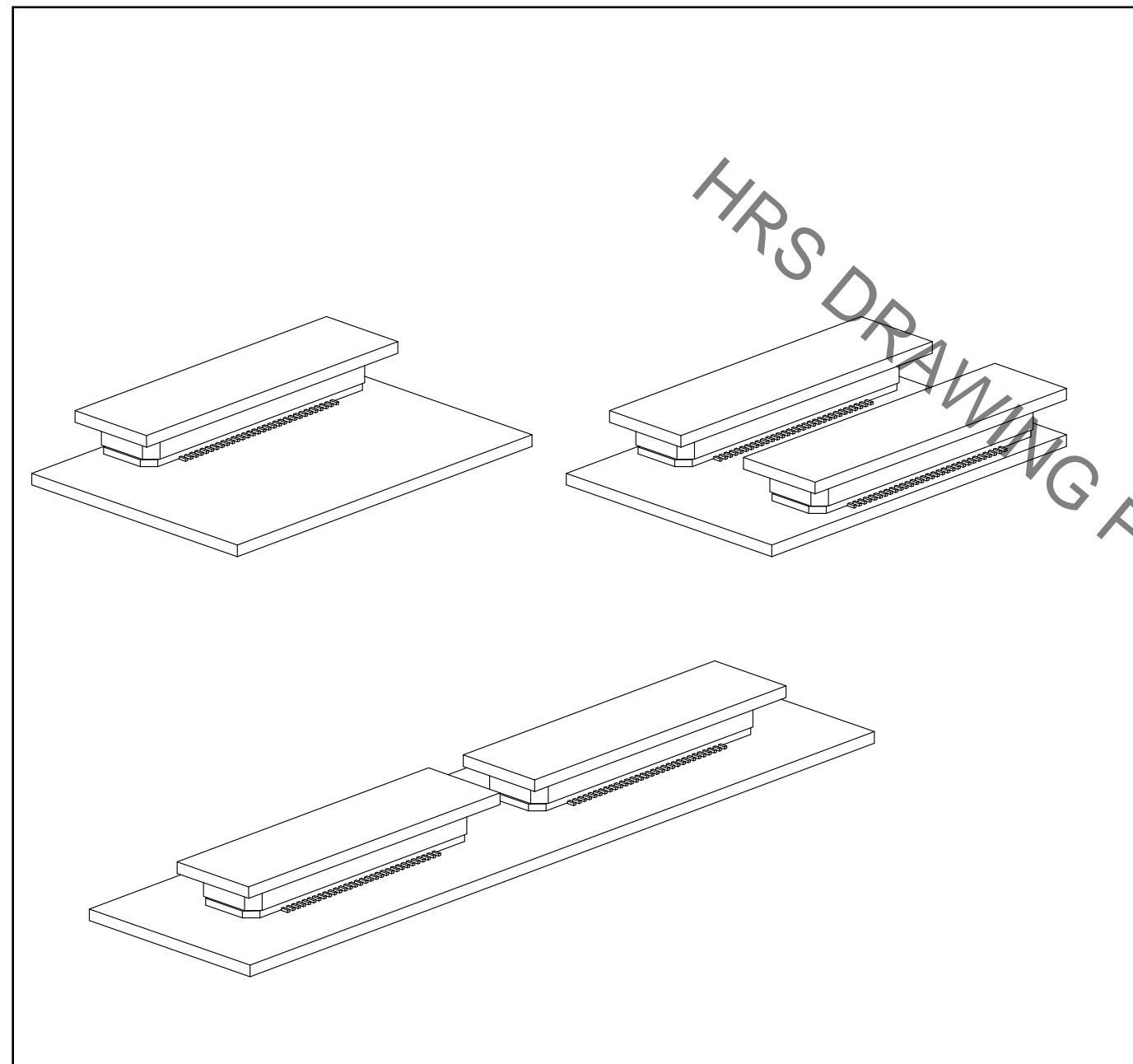
HRS	DRAWING NO.	EDC-150834-91-21
	PART NO.	FX8C-120P-SV1(91)
	CODE NO.	CL578-0526-0-91
		2/3

Oct.1.2020 Copyright 2020 HIROSE ELECTRIC CO., LTD. All Rights Reserved.
In case of consideration for using Automotive equipment / device which demand high reliability, kindly contact our sales window correspondents.

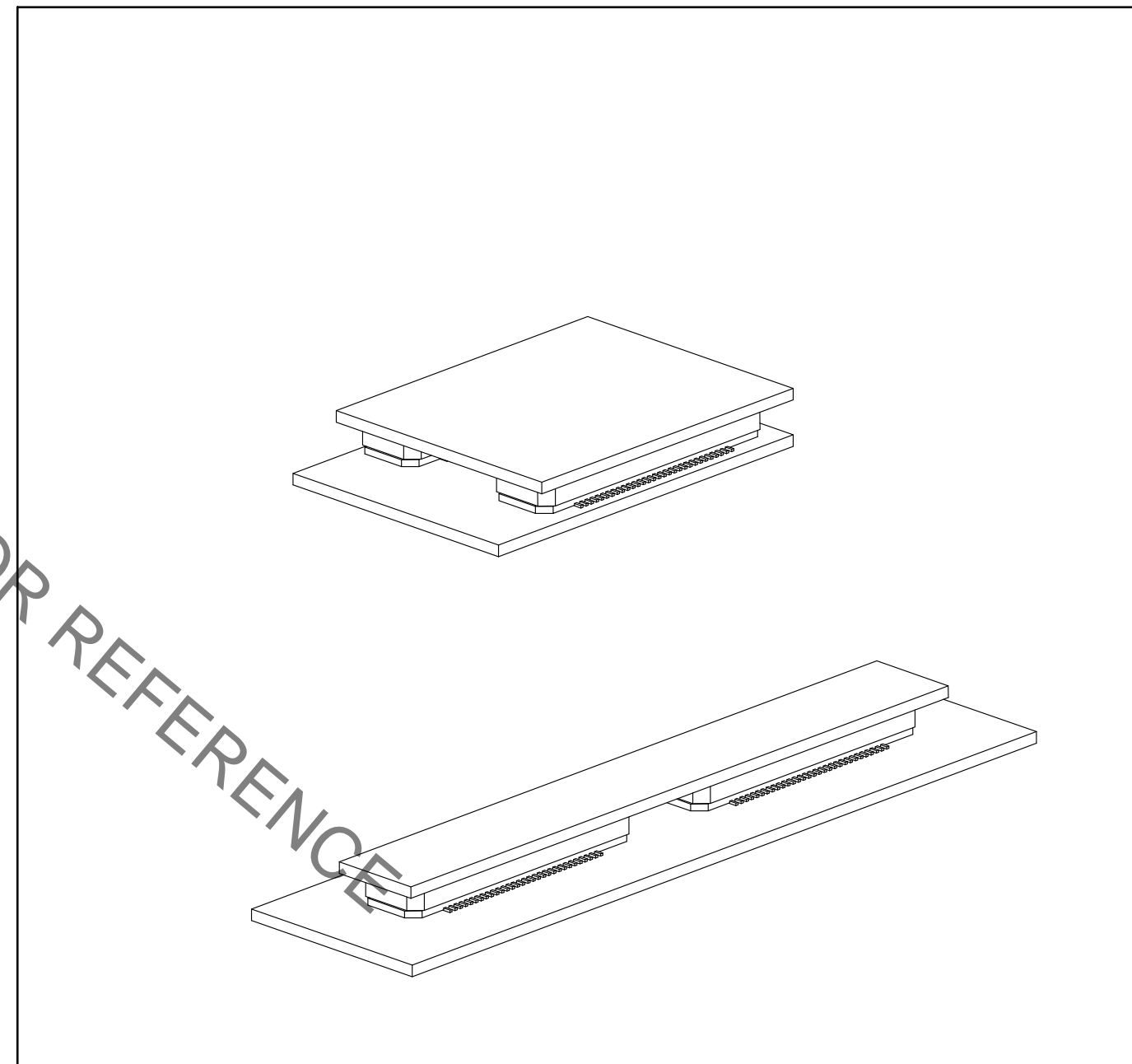
【 Precaution 】

When a board with multiple connectors mounted is mated, the connector may be damaged or deformed.
Please divide one side of the board so only one connector is mated per board.

OK



NG



HRS DRAWING FOR REFERENCE

HRS	DRAWING NO.	EDC-150834-91-21
	PART NO.	FX8C-120P-SV1(91)
	CODE NO.	CL578-0526-0-91
		3/3