

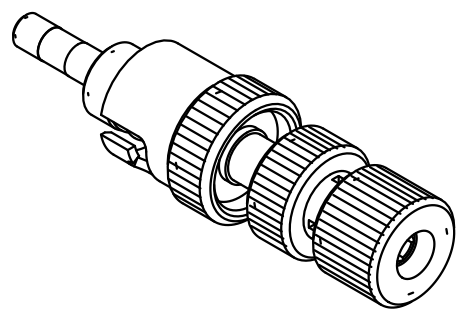
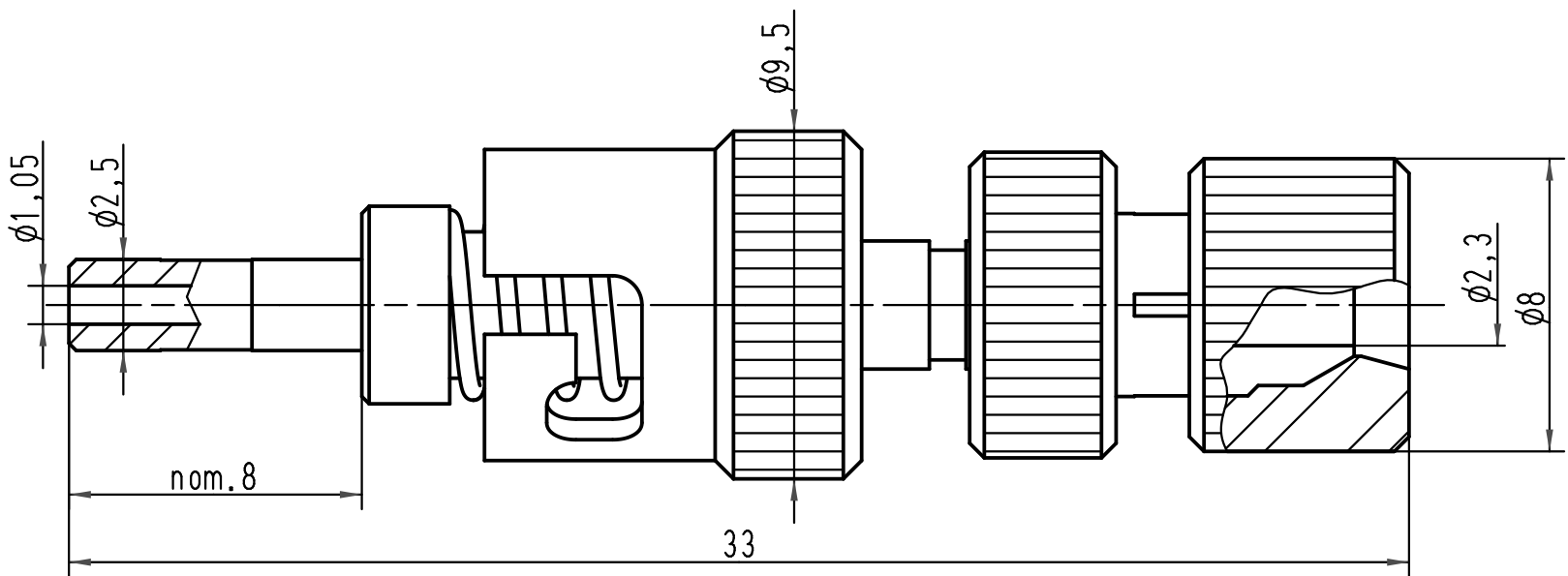
1 2 3 4 5 6

A

B

C

D



All Dimensions in mm Original Size DIN A 4			Techn. Character.			Nicht tolerierte Maße/ Free size tolerances			
			Dat.	Name	Maßstab/ Scale	FH-ST Prüfstecker <i>FH-ST quick-assembly connector</i> 1mm POF			
			Detail.	06.03.01					DY
			Insp.						SDT
			Stand.						
413679	20.02.08	PR	HARTING Electric GmbH & Co. KG				TB 20 10 001 2212		
413262	10.10.07	Ho	D-32339 Espelkamp						
29293									
Mod.	Dat.	Name				Sub.	Blatt/ page		

Mouser Electronics

Authorized Distributor

Click to View Pricing, Inventory, Delivery & Lifecycle Information:

[HARTING:](#)

[20100012212](#)