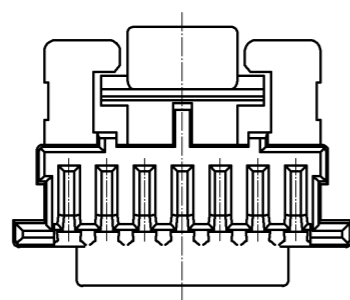
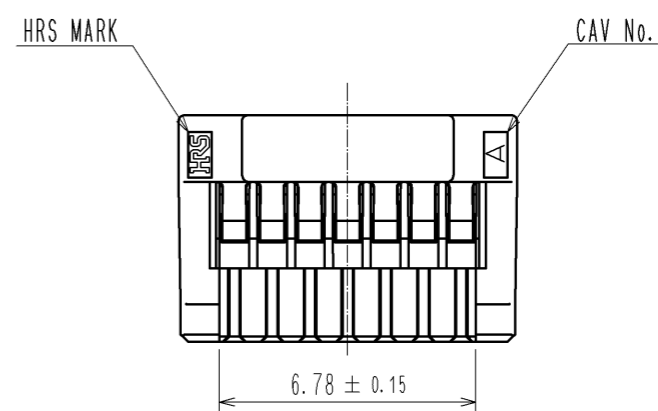
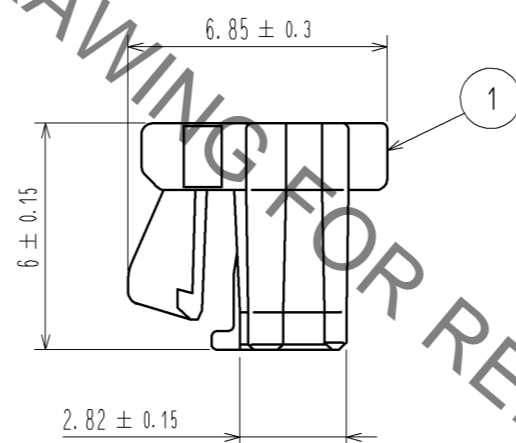
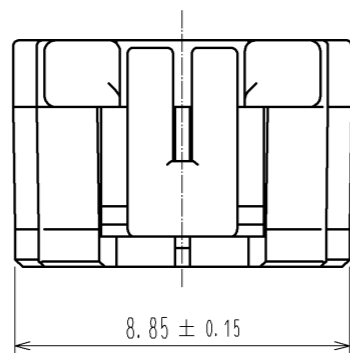
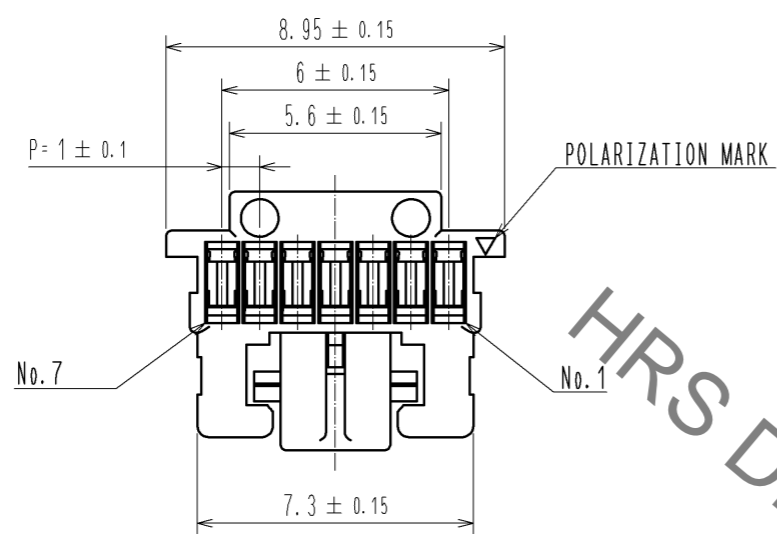


Sep.1.2020 Copyright 2020 HIROSE ELECTRIC CO., LTD. All Rights Reserved.
 In case of consideration for using Automotive equipment / device which demand high reliability, kindly contact our sales window correspondents.



HRS DRAWING FOR REFERENCE

NOTE1. PER PACK:100 PIECES

NO.		MATERIAL		FINISH . REMARKS		1	PBT	UL94-V0. BLACK		
UNITS mm		SCALE 5 : 1		COUNT △		DESCRIPTION OF REVISIONS		DESIGNED	CHECKED	DATE
HIROSE ELECTRIC CO., LTD.		APPROVED : KI. AKIYAMA		13.07.12		DRAWING NO.		EDC3-329665-01		
		CHECKED : HK. UMEHARA		13.07.12		PART NO.		DF50A-7S-1C		
		DESIGNED : ST. SATO		13.07.12		CODE NO.		CL665-1013-2-00		
		DRAWN : ST. SATO		13.07.12						
										△ 1/1