

4

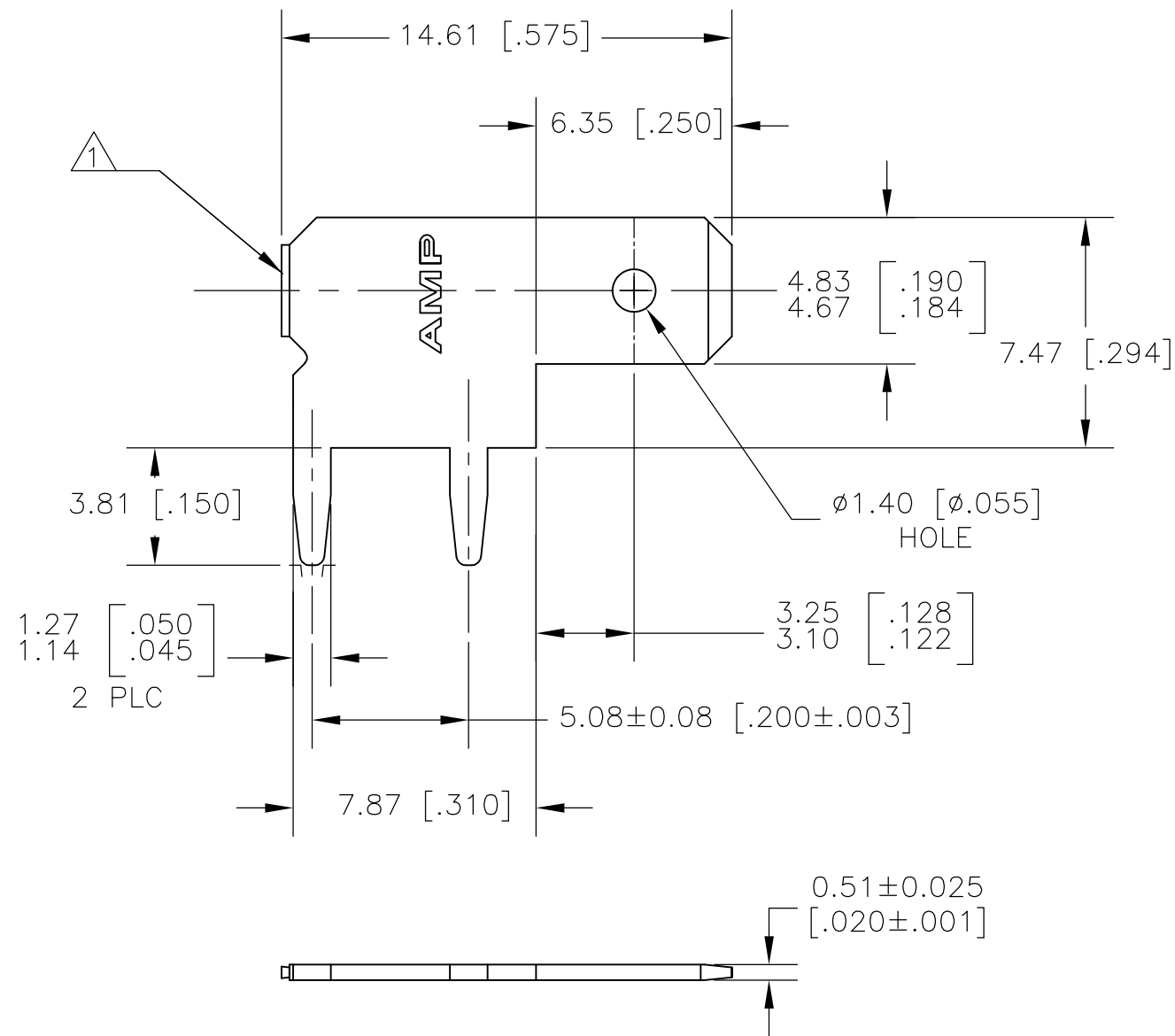
3

2

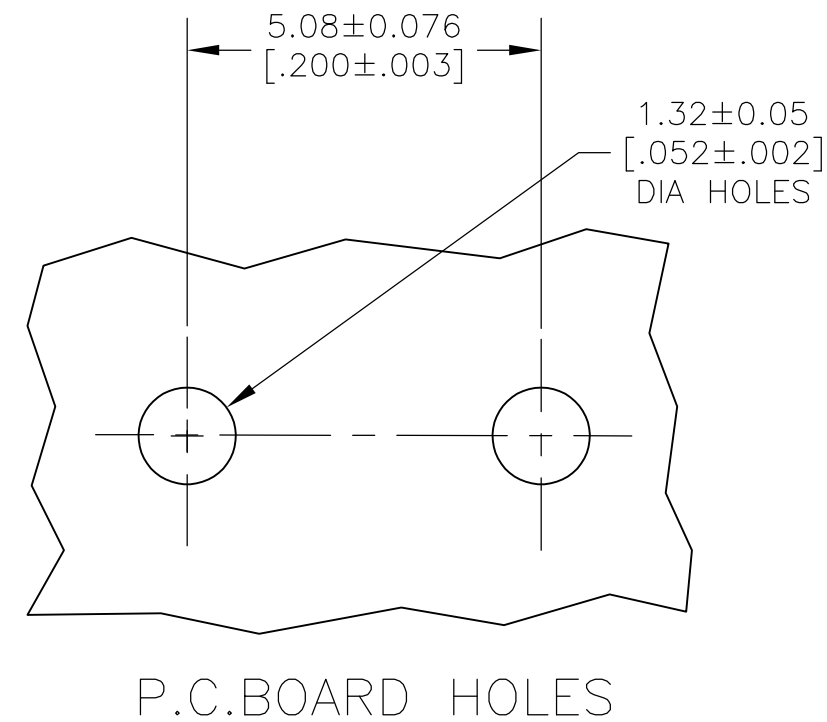
1

THIS DRAWING IS UNPUBLISHED. RELEASED FOR PUBLICATION
 © COPYRIGHT - By - ALL RIGHTS RESERVED.

LOC	DIST	REVISIONS					
AF	50	P	LTR	DESCRIPTION	DATE	DWN	APVD
		D		REVISED PER ECR-13-001204	28JUN13	KH	PD



- 1 SUPPLIED IN LOOSE PIECE. AFTER PLATING, BARE EDGES PERMITTED.
- 2 0.00381 [.000150] MIN TIN OVER 0.00127 [.000050] MIN NICKEL.



1217156-1
PART NO.

THIS DRAWING IS A CONTROLLED DOCUMENT.		DWN	JR RUTH	03APR01	 TE Connectivity	NAME		TAB, FASTON, 4.75 [.187] SERIES							
DIMENSIONS: mm[INCHES]		CHK	MS FEHER	03APR01		PRODUCT SPEC		SIZE	CAGE CODE	DRAWING NO	RESTRICTED TO				
TOLERANCES UNLESS OTHERWISE SPECIFIED:		APVD	N DEIBERT	03APR01		APPLICATION SPEC		A3	00779	C-1217156	-				
0 PLC ± - 1 PLC ± - 2 PLC ± 0.25 [.010] 3 PLC ± - 4 PLC ± - ANGLES ± -		MATERIAL	BRASS	FINISH		2	WEIGHT	-	CUSTOMER DRAWING		SCALE	5:1	SHEET	1 of 1	REV

Mouser Electronics

Authorized Distributor

Click to View Pricing, Inventory, Delivery & Lifecycle Information:

[TE Connectivity:](#)

[1217156-1](#)