



5W Compact Fixed Blade Power Adapter (UK) Ecodesign Compliant USB Adapter



Features

- Fixed Blade
- Ecodesign ErP Directive 2009/125/EC level 2 annex 1b Compliant
- Low Cost
- Low Profile
- Halogen Free

Applications

- Smart Phones
- PDA
- Personal Electronics
- Digital Camera

Safety Approvals

- CE

Mechanical Characteristics

- Length: 49mm (1.93in)
- Width: 43mm (1.65in)
- Height: 21.0mm (0.87in)
- Weight: 80g (3oz)

Output Specifications

Model	DC Output Voltage	Load		Ripple ⁽¹⁾ P-P (Max)	Regulation		Case Color
		Min.	Max.		Line	Load	
PSA05K-050QA-H	5V	0A	1A	200mV	±5%		Black
PSA05K-050QW-H	5V	0A	1A	200mV	±5%		White

Note: (1) Measured after 10 minutes with by-pass capacitors 0.1uf // 10uf at output connector terminal and oscilloscope set at 20MHz.

Phihong is not responsible for any error, and reserves the right to make changes without notice. Please visit our website at www.phihong.com for the most up-to-date specifications and contact information.

INPUT:**AC Input Voltage Rating**

100 to 240VAC

AC Input Voltage Range

90 to 264VAC

AC Input Current

0.15A(RMS) max.

Leakage Current5 μ A maximum**Input Power Saving**

<30mW max

OUTPUT:**Power**

5W Continuous

Efficiency

Meets Level V Efficiency Requirements

No-Load Power Saving

0.03W maximum at 115VAC/230VAC

Hold-up Time

10mS min. @ 120VAC and max. load

Short Circuit Protection

Output may be shorted permanently without damage

Over-voltage Protection

Output shall not exceed 10V

ENVIRONMENTAL:**Temperature**

Operation	0 to +40°C
Non-operation	-40 to +85°C
Operation	10 to 90%

Immunity

ESD:	EN61000-4-2. Level 4
Surge:	EN61000-4-5. Level 3
Harmonic:	EN61000-3-2
Flicker:	EN61000-3-3

Emissions

FCC Class B

EN55022 Class B

Dielectric Withstand (Hi-pot) Test

Primary to Secondary: 3000VAC, 10mA for 1 minute

Insulation Resistance

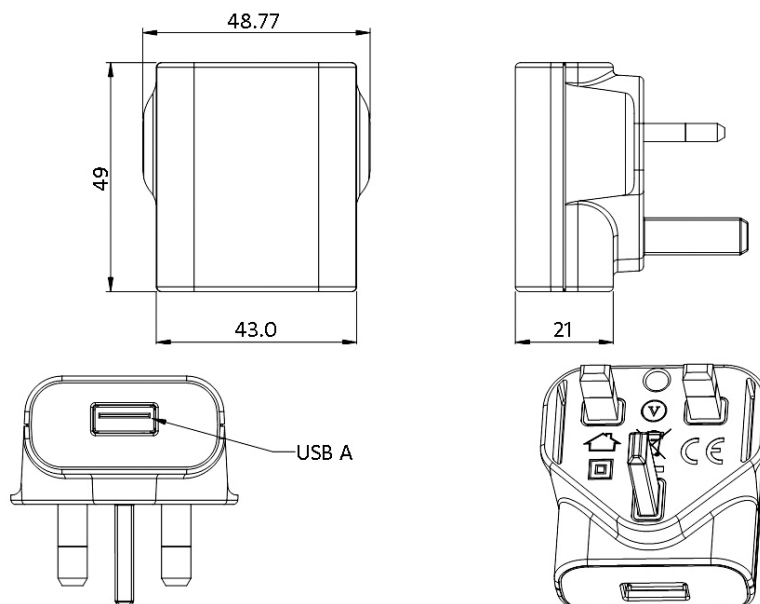
Primary to Secondary: 10M ohm 500VDC

MTBF

100K hours minimum at 120VAC, max load (measured at ambient 25°C)

DC Output Connector

USB A

Dimension Diagram Unit: mm

Mouser Electronics

Authorized Distributor

Click to View Pricing, Inventory, Delivery & Lifecycle Information:

[Phihong:](#)

[PSA05K-050QW-R](#) [PSA05K-050QA-H](#) [PSA05S-050QW-R](#) [PSA05E-050QW-R](#) [PSA05K-050QW-H](#) [PSA05K-050QL6WS](#) [PSA05K-050QL6](#)