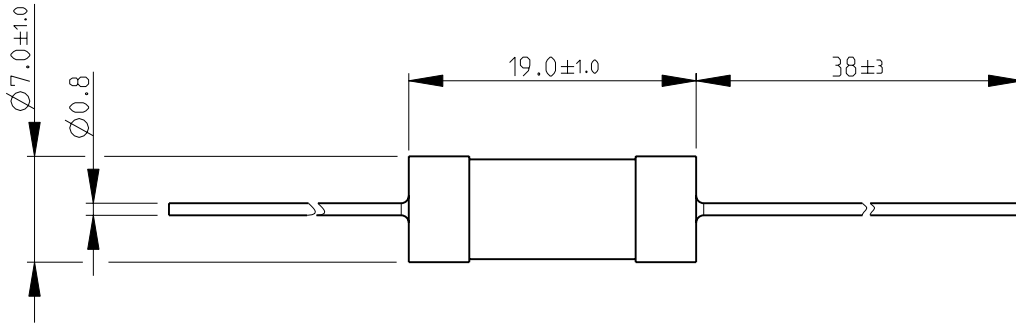
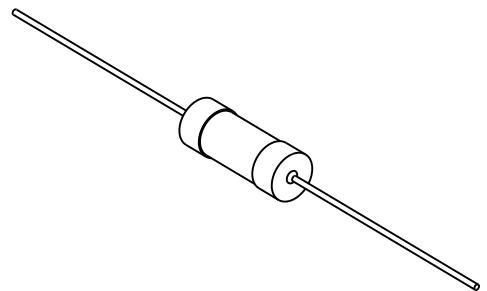


LOC	DIST	REVISIONS					
E	B	P	LTR	DESCRIPTION	DATE	DWN	APVD
			BA1	REVISED PER ECO-11-005150	29MAR2011	RK	HMR

FOR FURTHER INFORMATION SEE DATA SHEET FOR CCR SERIES-CERAMIC COMPOSITION RESISTORS



RoHS Compliant



SCALE 1:1


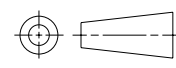
2008

RELEASED FOR PUBLICATION

ALL RIGHTS RESERVED.

THIS DRAWING IS UNPUBLISHED.

© COPYRIGHT 2008

DIMENSIONS:		DWN	19-Sep-08	MATERIAL	FINISH		
mm		SUBHASH.M		-	-		
TOLERANCES UNLESS OTHERWISE SPECIFIED:		CHK	19-Sep-08	 TE Connectivity			
0 PLC ± 0.2		PRAKASH.S					
1 PLC ± 0.1		APVD	19-Sep-08	NAME CERAMIC COMPOSITION RESISTORS SERIES CCR2			
2 PLC \pm		STEPHEN.P					
3 PLC \pm		PRODUCT SPEC		SIZE	CAGE CODE	DRAWING NO	RESTRICTED TO
4 PLC \pm		APPLICATION SPEC		A 4	00779	C-1623720	-
ANGLES $\pm 5^\circ$				SCALE 2:1			SHEET 1 OF 1
		WEIGHT	-	CUSTOMER DRAWING			REV BA1

Mouser Electronics

Authorized Distributor

Click to View Pricing, Inventory, Delivery & Lifecycle Information:

[TE Connectivity:](#)

[CCR24R7KB](#)