

THIS DRAWING IS UNPUBLISHED.

RELEASED FOR PUBLICATION

LOC FT DIST 0

REVISIONS

© COPYRIGHT - By - ALL RIGHTS RESERVED.

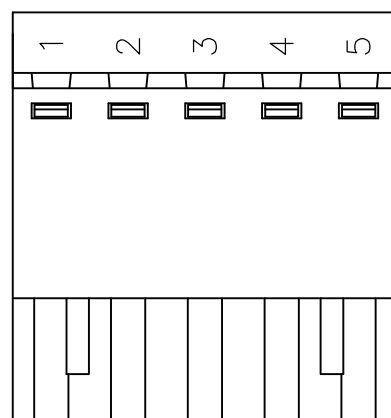
P	LTR	DESCRIPTION	DATE	DWN	APVD
	A2	REVISED PER ECO-11-005027	11MAR11	RK	HMR

**MATERIALS:**  
 HOUSING: PA66, UL94V-0, COLOR: GREEN.  
 CONTACT: PHOS BRONZE, TIN PLATED.  
 WIRE GUARD: STEEL, ZINC CHROMATE.  
 CAGE CLAMP: STEEL, ZINC CHROMATE.  
 SCREW: STEEL, ZINC PLATED.

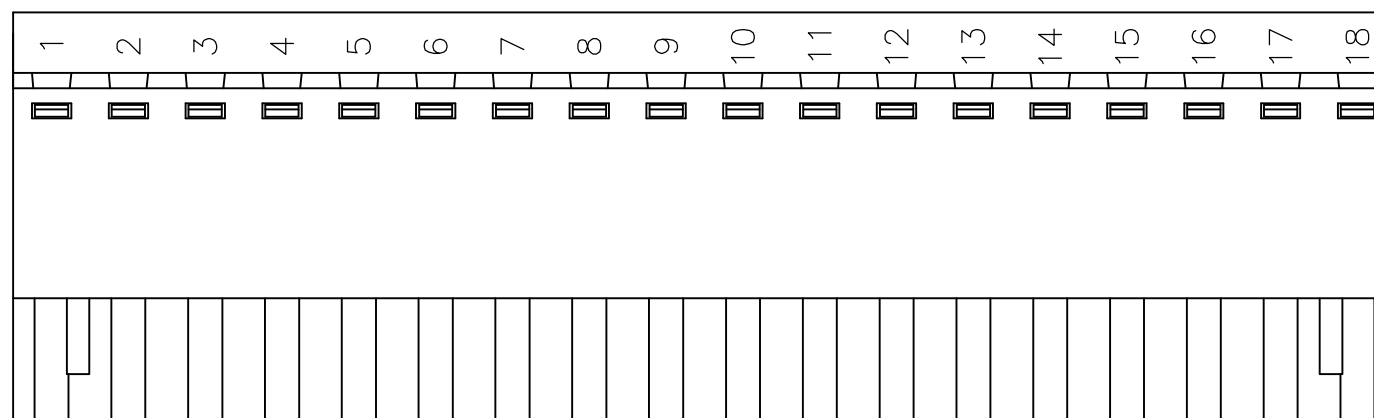
**ELECTRICAL:**  
 VOLTAGE RATING: 300V.  
 CURRENT RATING: 16A.  
 INSULATION RESISTANCE 2000Mohm/DC500V.  
 WITHSTANDING VOLTAGE AC2000V MIN  
 WIRE RANGE: 14-24 AWG

**MECHANICAL:**  
 SCREW TORQUE: 7.0 IN-LB  
 WIRE STRIP LENGTH: 10mm

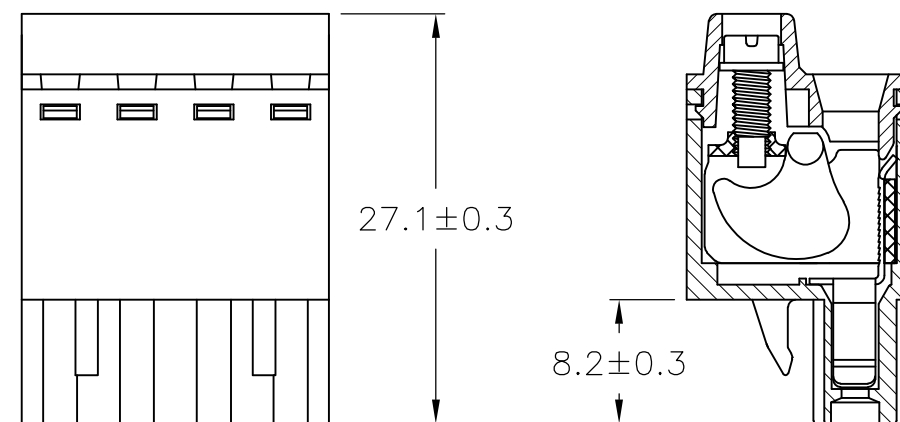
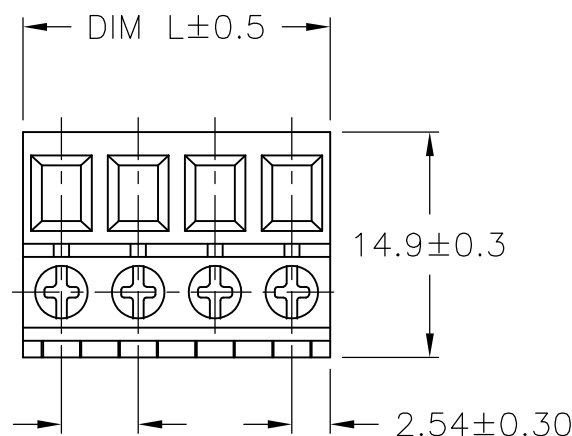
**ENVIRONMENTAL:**  
 WORKING TEMP.: -40°C TO +105°C.



2-1986484-5



2-1986484-6



SEE DETAIL	NO OF POS	DIM L	PART NUMBER
1	24	121.92±0.5	2-1986484-4
1	23	116.84±0.5	2-1986484-3
1	22	111.76±0.5	2-1986484-2
1	21	106.68±0.5	2-1986484-1
1	20	101.60±0.5	2-1986484-0
1	19	96.52±0.5	1-1986484-9
1	18	91.44±0.5	2-1986484-6
1	18	91.44±0.5	1-1986484-8
1	17	86.36±0.5	1-1986484-7
1	16	81.28±0.5	1-1986484-6
1	15	76.20±0.5	1-1986484-5
1	14	71.12±0.5	1-1986484-4
1	13	66.04±0.5	1-1986484-3
1	12	60.96±0.5	1-1986484-2
1	11	55.88±0.5	1-1986484-1
1	10	50.80±0.5	1-1986484-0
1	9	45.72±0.5	1986484-9
1	8	40.64±0.5	1986484-8
1	7	35.56±0.5	1986484-7
1	6	30.48±0.5	1986484-6
2	5	25.40±0.5	2-1986484-5
1	5	25.40±0.5	1986484-5
1	4	20.32±0.5	1986484-4
1	3	15.24±0.5	1986484-3
1	2	10.16±0.5	1986484-2
		DIM L	NO OF POS
			PART NUMBER

- 1 PRELIMINARY PART NUMBER
- 2 PART MARKED WITH BLACK PERMANENT MARKING

THIS DRAWING IS A CONTROLLED DOCUMENT.

DWN S SCHLEGEL 17NOV2008

CHK C RICHARD 11/17/08

APVD C RICHARD 11/17/08

PRODUCT SPEC

APPLICATION SPEC

WEIGHT -

CUSTOMER DRAWING



NAME: TERMINAL BLOCK, PLUG, 5.08mm PITCH

SIZE	CAGE CODE	DRAWING NO	RESTRICTED TO
A3	00779	C-1986484	-

DIMENSIONS:	TOLERANCES UNLESS OTHERWISE SPECIFIED:
mm	
0 PLC	± -
1 PLC	± 0.2
2 PLC	± 0.10
3 PLC	± -
4 PLC	± -
ANGLES	± 1°
MATERIAL	FINISH
-	-

SCALE	SHEET	REV
NTS	1 OF 1	A2

# Mouser Electronics

Authorized Distributor

Click to View Pricing, Inventory, Delivery & Lifecycle Information:

[TE Connectivity:](#)

[1986484-6](#)