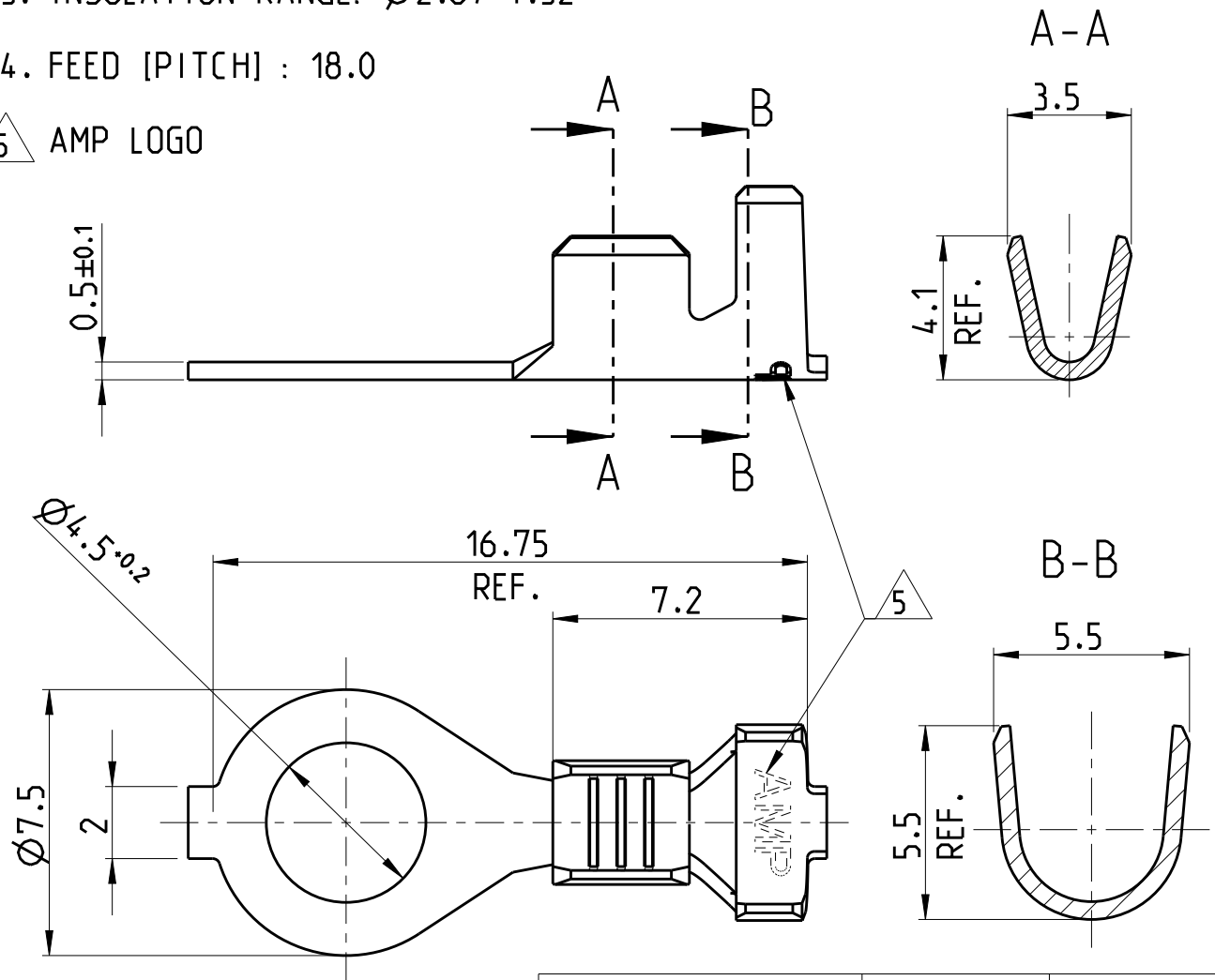


LOC	DIST	REVISIONS				
P	LTR	DESCRIPTION	DATE	DWN	APVD	
IR	-	A	INITIAL RELEASE	28DEC2012	PKS	RRP
		A1	REVISED PER ECR-19-017984	27NOV2019	PC	MK

NOTES:

1. CONTINUOUS STRIP ON REELS
2. WIRE RANGE: 18-14 AWG [0.8-2.0 SQ.mm]
3. INSULATION RANGE:  $\varnothing 2.67-4.32$
4. FEED [PITCH] : 18.0

5 AMP LOGO



	PRE-TIN; 1-3 $\mu$ m	BRASS	2178505-3
OBSOLETE			2178505-2
OBSOLETE			2178505-1
	FINISH	MATERIAL	PART NO

2012  
 RELEASED FOR PUBLICATION  
 ALL RIGHTS RESERVED.  
 THIS DRAWING IS UNPUBLISHED.  
 COPYRIGHT 2012

DIMENSIONS: mm	DWN	28DEC2012	MATERIAL	SEE TABLE	FINISH	SEE TABLE
	CHK	28DEC2012	TE Connectivity			
TOLERANCES UNLESS OTHERWISE SPECIFIED:	APVD	28DEC2012				
	PRODUCT SPEC	-	SIZE	CAGE CODE	DRAWING NO	RESTRICTED TO
0 PLC $\pm 0.2$	APPLICATION SPEC	114-2084	A 4	00779	C-2178505	-
1 PLC $\pm 0.2$	WEIGHT	0.4g approx.	Customer Drawing			
2 PLC $\pm 0.1$			SCALE	5:1	SHEET	1 OF 1
3 PLC $\pm 0.05$			REV A1			
4 PLC $\pm$						
ANGLES $\pm$						