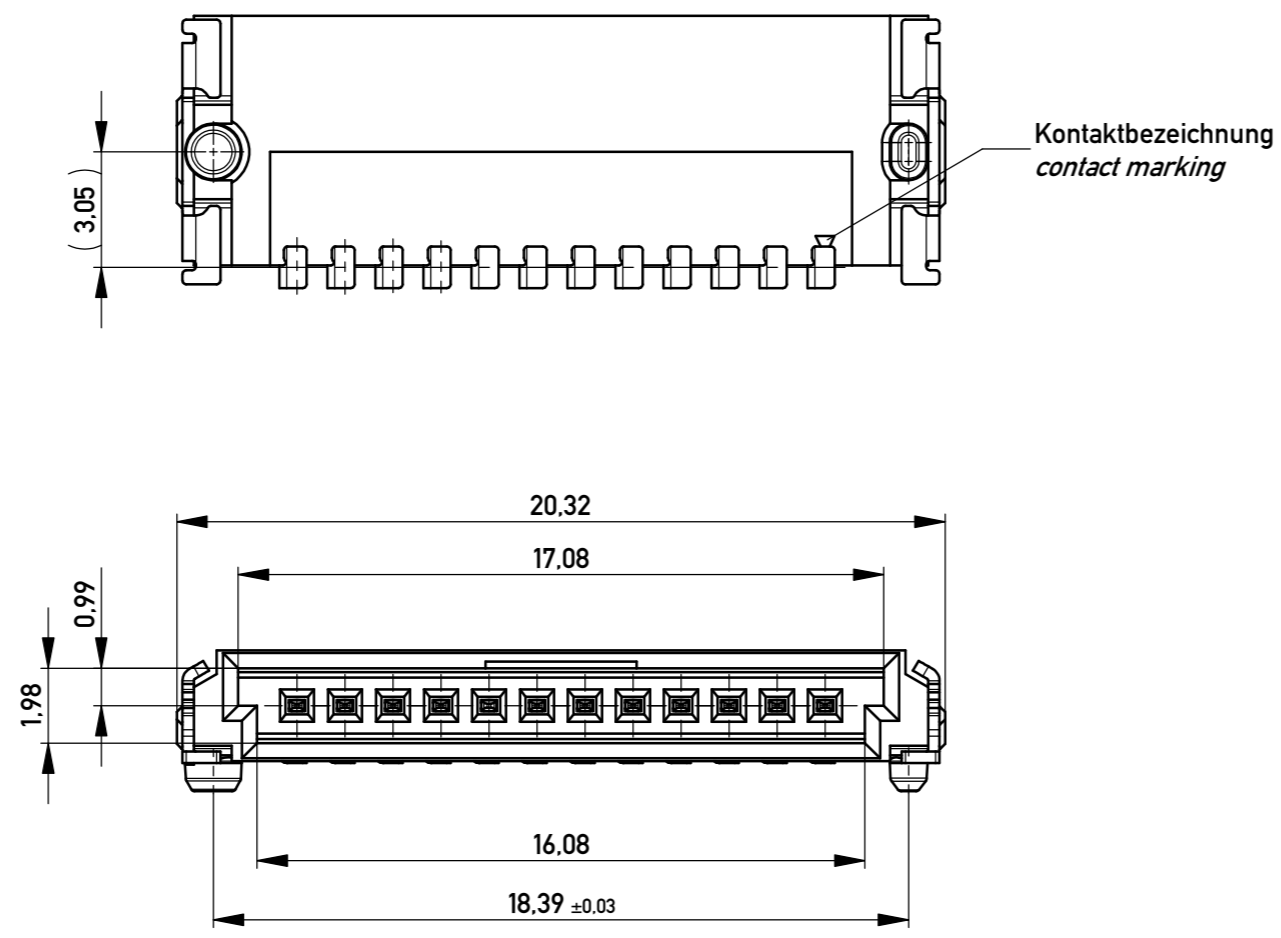
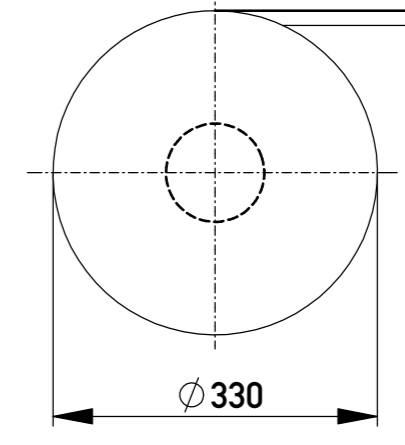


Verpackt im Gurt in Anlehnung an DIN IEC 60286-3
tape on reel packaging according to DIN IEC 60286-3
 Verpackungseinheit: 1000 Stück
packaging unit: 1000 pcs



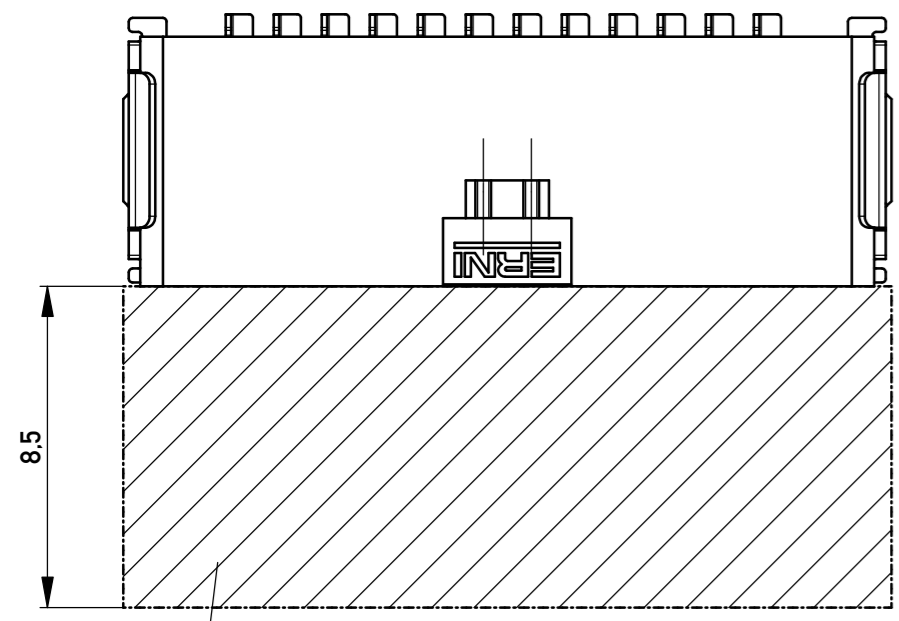
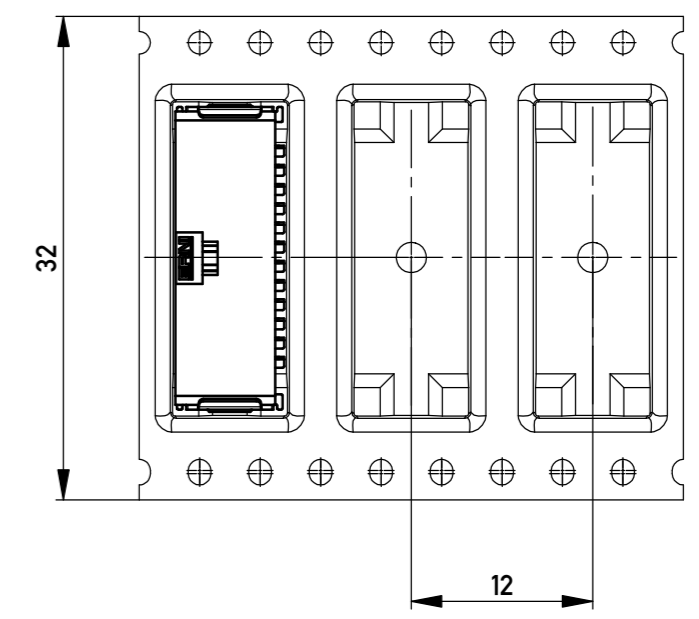
Anforderungsstufe 1
Performance Level 1

Kontaktbereich vergoldet
Mating Area gold plating

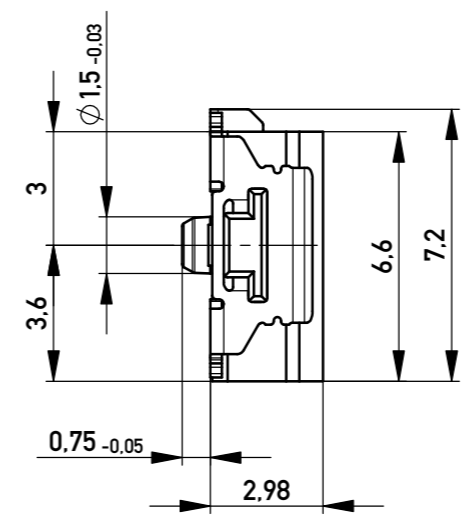
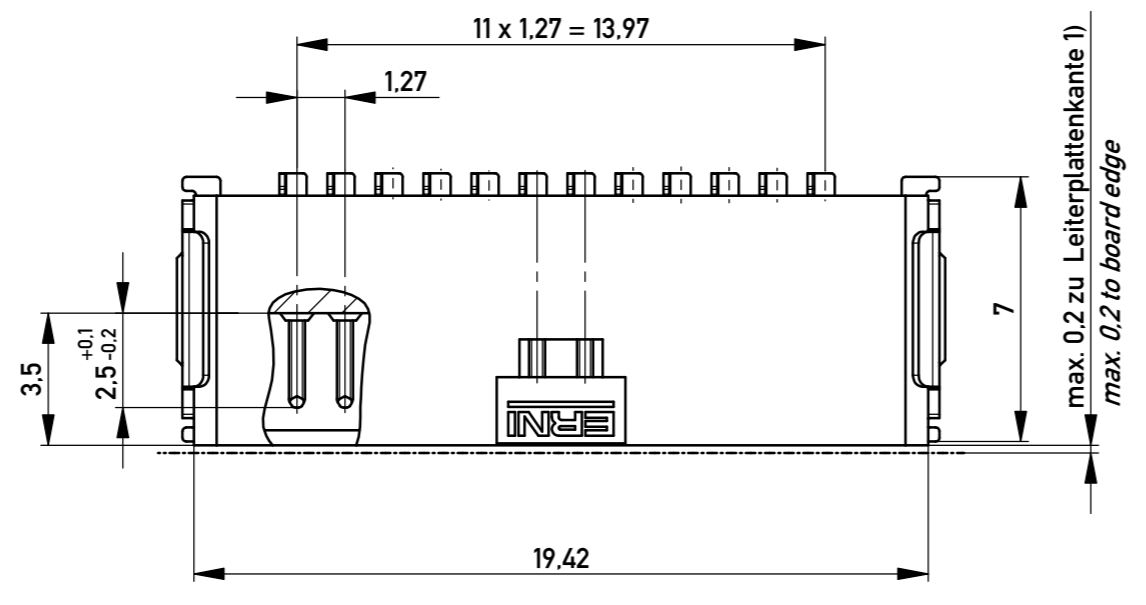
Anschlussbereich verzinkt 4-6 µm
Terminal Area 4-6 µm tin plating

Koplanarität der Anschlüsse ≤ 0,1 mm
Coplanarity Area of Termination ≤ 0.1 mm

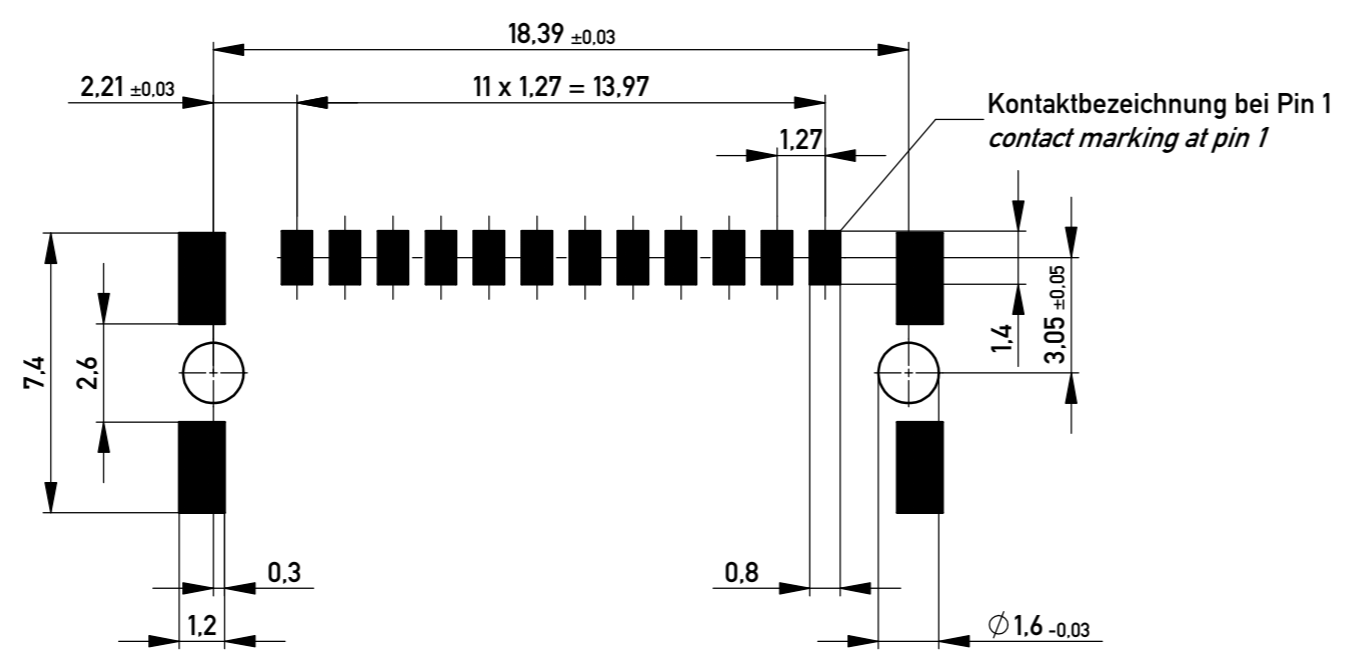
Abspulrichtung - *Reel off Direction* →



Sperrfläche für Leiterbahnen
 gültig bei Verwendung von
 Gegenstecker Federleiste 90°
 in SKV Ausführung
*Restricted area for conductors
 valid for use by mating
 female connector 90°
 in IDC version*



Leiterplatten-Layout für SMT
PCB-Layout for SMT



1) gültig bei Verwendung von Gegenstecker Federleiste 90° in SMD Ausführung
valid for use by mating female connector 90° in SMD version

Information:		Tolerances	Scale 5:1
All rights reserved. Only for Information. To ensure that this is the latest version of this drawing, please contact one of the ERNI companies before using.		All Dimensions in mm	Designation
Subject to modification without prior notice. Drawing will not be updated.		www.ERNI.com	M 1.27 SRC A, 12-polig BA1 M 1.27 SRC A, 12-pin
f	03.09.2018	Index	234478
Date			1
Class		SRCA	A2

Copyright by ERNI Production GmbH & Co. KG
 Proprietary notice pursuant to ISO 16949 to be observed.

Mouser Electronics

Authorized Distributor

Click to View Pricing, Inventory, Delivery & Lifecycle Information:

[ERNI Electronics:](#)

[234478](#)