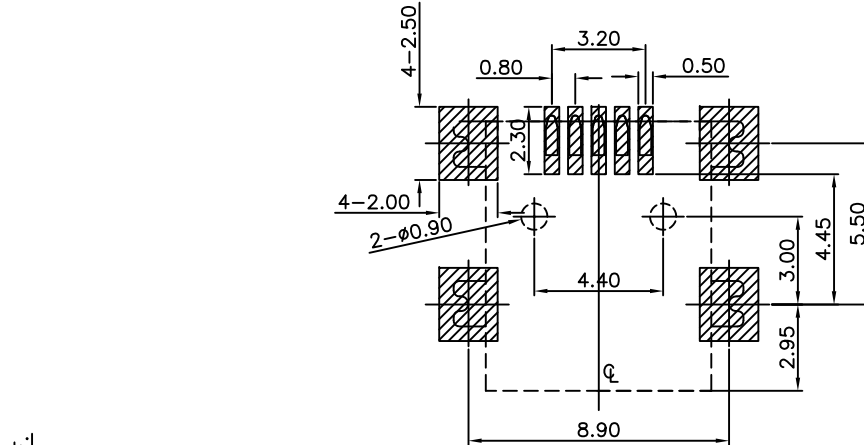
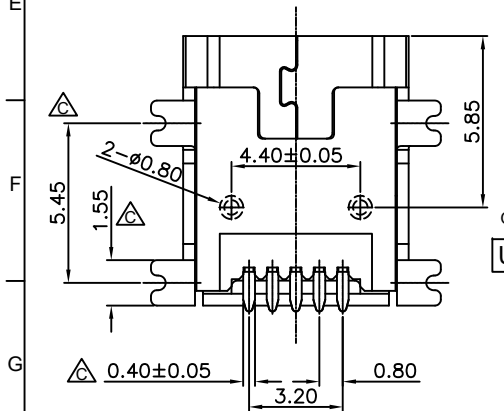
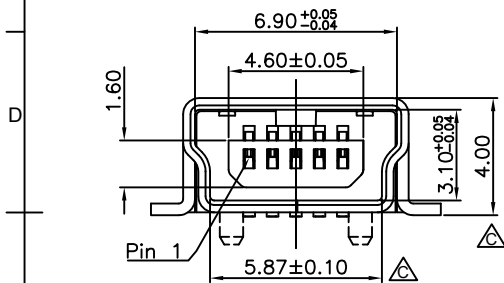
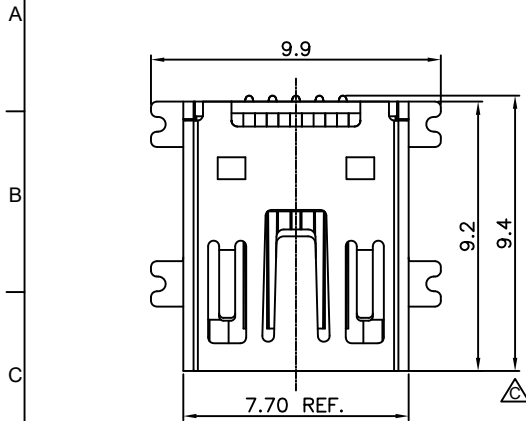
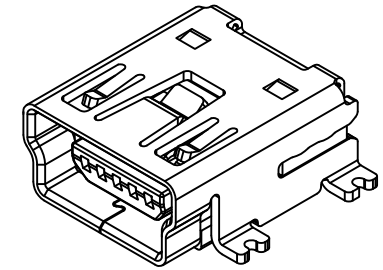
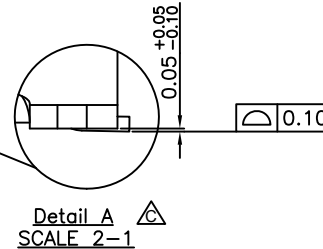
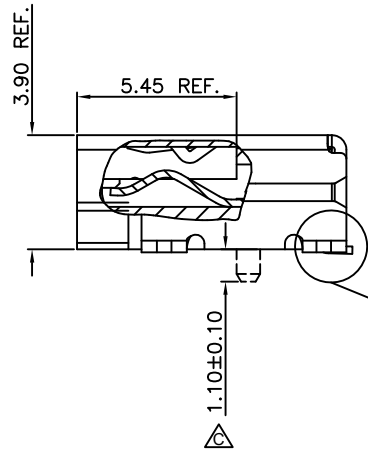


Global Connector Technology Ltd. - USB2066: Mini USB Receptacle, Type B, 5 Pin, SMT, Horizontal, Optional Post, 9.40mm Length



RECOMMENDED P.C.B LAYOUT
 GENERAL TOLERANCE: ±0.05
 AS VIEWED FROM COMPONENT SIDE
 Solder Area
 Component Outline



Specifications 规格:

Materials 物料:

Plastic Housing 塑胶外壳: LCP UL94V-0, Black
 LCP UL94V-0, 黑色

Contact Terminal 接触端子: Phosphor Bronze, T=0.25mm 磷青铜

Metallic Shell 金属外壳: Brass, T=0.4mm 黄铜

Plating 电镀规格:

Contact Terminal plating 接触端子部分电镀:

Underplating 底层电镀: Nickel all over 全部镀镍

Contact Area 接触部分: 15µ" Gold 镀金15µ"

Solder Tails 焊接末端: Bright Tin 亮锡

Metallic Shell plating 金属外壳电镀: Matte Tin 50µ" all over 整体镀雾锡50µ"

Underplating 底层电镀: Nickel 50µ" all over 整体镀镍50µ"

Electrical 电气规格:

Voltage Rating 电压额定值: 30VDC

Current Rating 电流额定值: 1A

Operating Temperature 工作温度: -50°C to +85°C

Contact Resistance 接触电阻值: 50mΩ Max.

Insulation Resistance 绝缘电阻值: 100MΩ Min

Dielectric Withstanding Voltage 耐电压: No Discharge or Flash 没有放电或火花
 (100VAC for 1 minute 施加100VAC一分钟)

Mechanical 机械性规格:

Mating Force 插入力: 35N (3.57Kgf) Max.

Unmating Force 拔出力: 7N (0.71Kgf) Min. - 1st mating cycle

Unmating Force 拔出力: 3N (0.31Kgf) Min. - 5001st mating cycle

Durability 耐久性: 5,000 Cycles 5000次插拔

Ordering Grid

USB2066	05	RBHM	15	STB	00	XX	A	REQUEST SAMPLES AND QUOTATION
---------	----	------	----	-----	----	----	---	-------------------------------

No. of Contacts 05

Contact Plating 15 = 15µ" Gold

Packing Options
 A = Tape & Reel (With Mylar)
 (Quantity per Reel: 750 pcs)

Optional Post
 01 = With Post
 00 = Without Post

Offset
 00 = No Offset

By	PN	PN	SA	ASE
DETAIL	DRAWING RELEASE	AMENDED TO 'OPTIONAL POST'	PCN20101004-1	PCNUSB2066-001
REV DATE	A 04/06/09	B 16/06/09	C 04/11/10	D 07/11/11

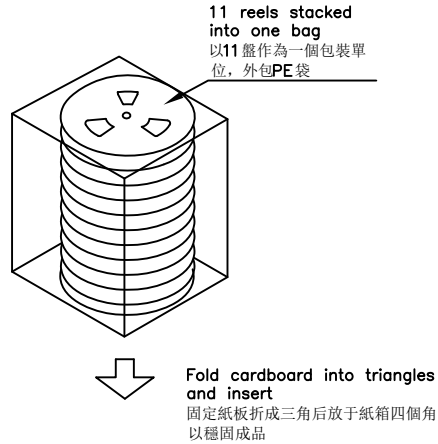
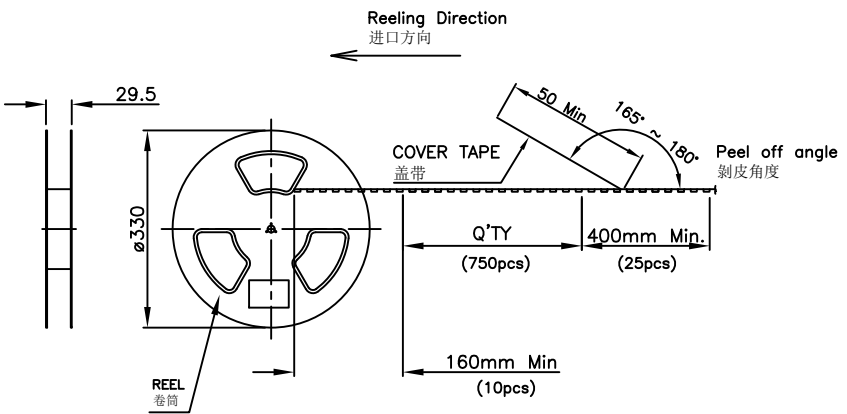
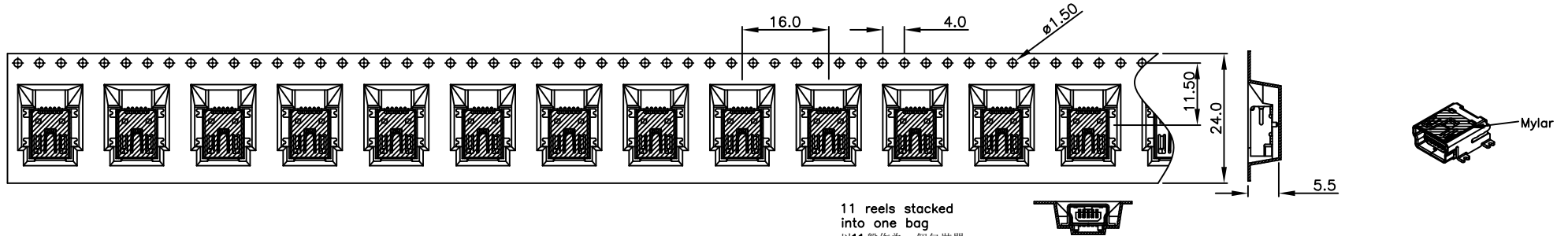


Tolerances (Except as noted)	Part Number:-	Date:-
Dimensions in mm	USB2066	04 JUN 09
XX.X ± 0.35	X.X" ± 1"	Description:- MINI USB RECEPTACLE, TYPE B, 5 PIN, SMT, HORIZONTAL OPTIONAL POST, 9.40mm LENGTH
XX.XX ± 0.25	X.X" ± 0.5"	
XX.XXX ± 0.150	X.XX" ± 0.25"	
Third Angle Projection	THIS DRAWING IS CONFIDENTIAL AND MUST NOT BE COPIED OR DISCLOSED WITHOUT WRITTEN CONSENT	



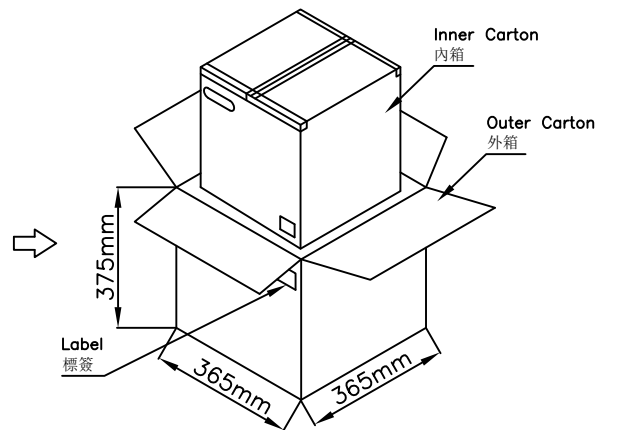
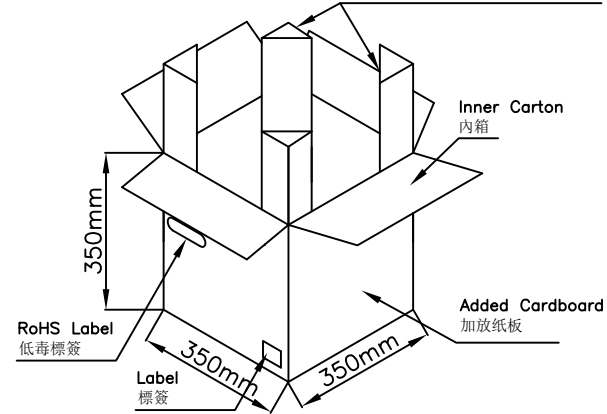
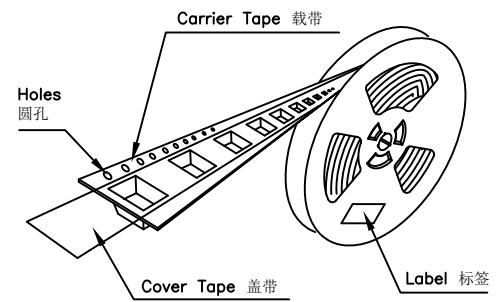
Scale NTS	Revision D	Material See Note	Drawn by LYH	E & OE	Sheet No. 1/2
-----------	------------	-------------------	--------------	--------	---------------

Global Connector Technology Ltd. - USB2066: Mini USB Receptacle, Type B, 5 Pin, SMT, Horizontal, Optional Post, 9.40mm Length



- Notes/注意:
- All dimensions in millimeters 所有尺寸均是毫米
 - Carrier Tape: 24 (w) x 12.6meters 承载带: 24mm 宽:12600mm
 - Component Load Per 13"Reel:750Pcs每13"卷筒承载零件:750件

- Packing Rules封装規則?
- All the labels on REEL should be face-up Reel標籤一律朝上
 - Place 11 filled REEL into the bag 以11盤作為一個包裝單位, 外包PE袋
 - Fold cardboard into triangles and insert 固定紙板折成三角后放于紙箱四個角以穩固成品
 - Insert inner box into outer box 將內箱裝入外箱
 - Stick label on the outer carton 標籤貼放箱外



By	PN	PN	SA	ASE
DETAIL	DRAWING RELEASE	AMENDED TO 'OPTIONAL POST'	PCN20101004-1	PCNUSB2066-001
REV DATE	A 04/06/09	B 16/06/09	C 04/11/10	D 07/11/11



Tolerances (Except as noted)	Part Number:-	Date:-
Dimensions in mm	USB2066	04 JUN 09
	Description:-	
	MINI USB RECEPTACLE, TYPE B, 5 PIN, SMT, HORIZONTAL OPTIONAL POST, 9.40mm LENGTH	
Third Angle Projection	THIS DRAWING IS CONFIDENTIAL AND MUST NOT BE COPIED OR DISCLOSED WITHOUT WRITTEN CONSENT	



Scale NTS	Revision D	Material See Note	Drawn by LYH	Sheet No. 2/2
-----------	------------	-------------------	--------------	---------------