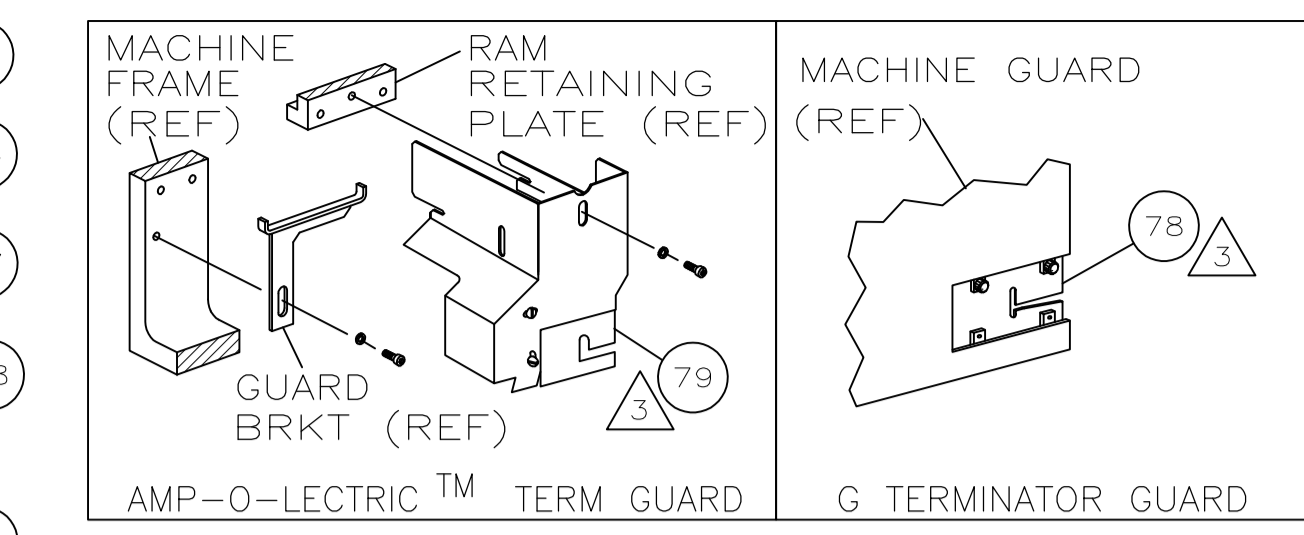
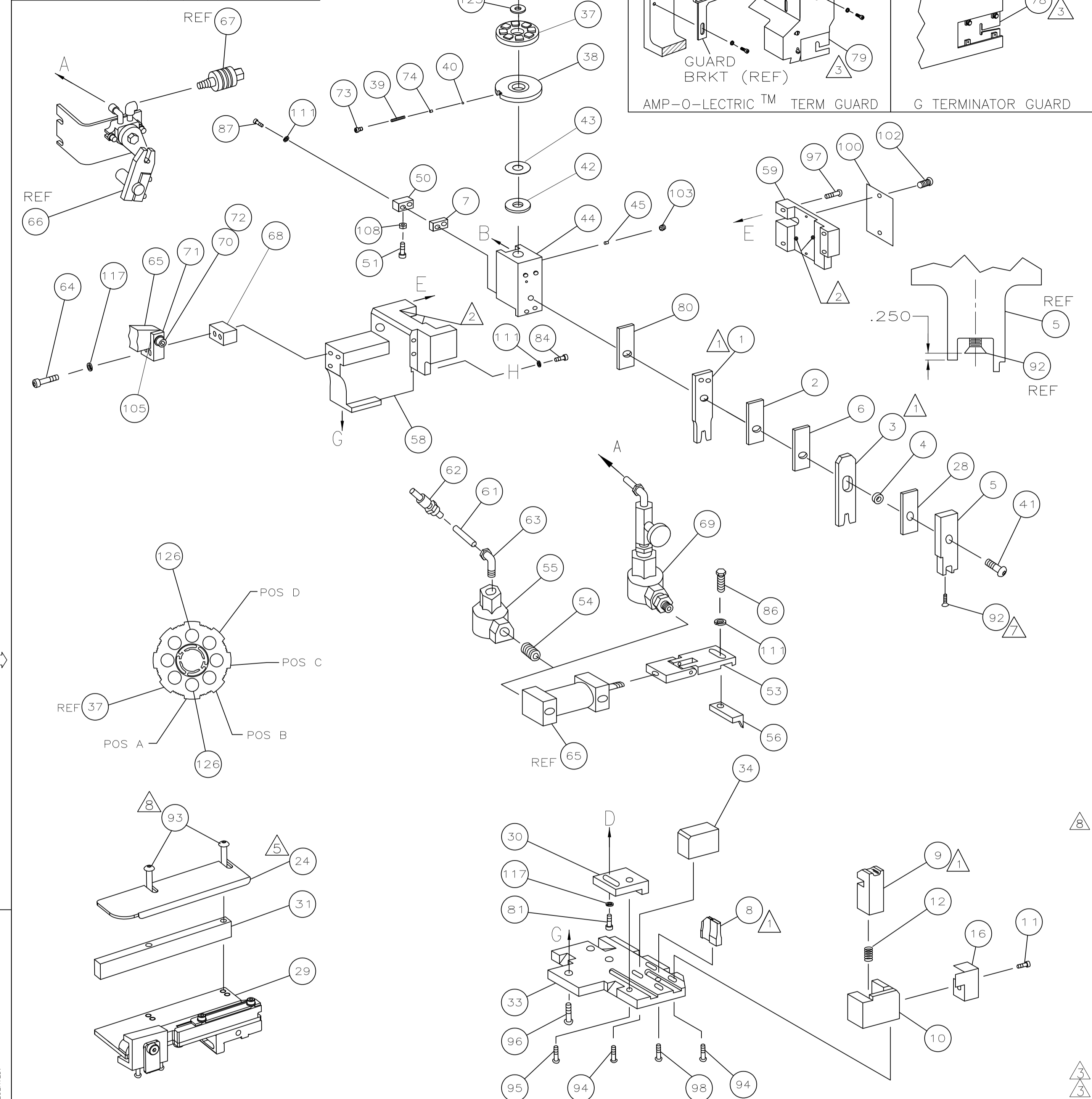


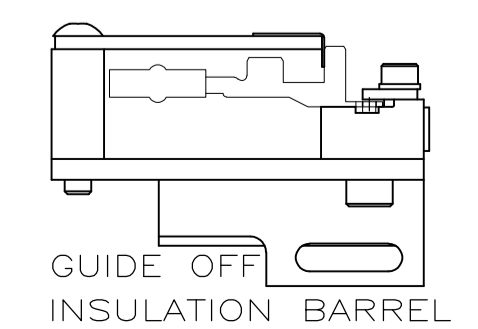
PART NUMBER	REV	FIRST USED
1852095-1	A	122500-1
1852095-2	A	565435-5
1852095-3	A	354500-1



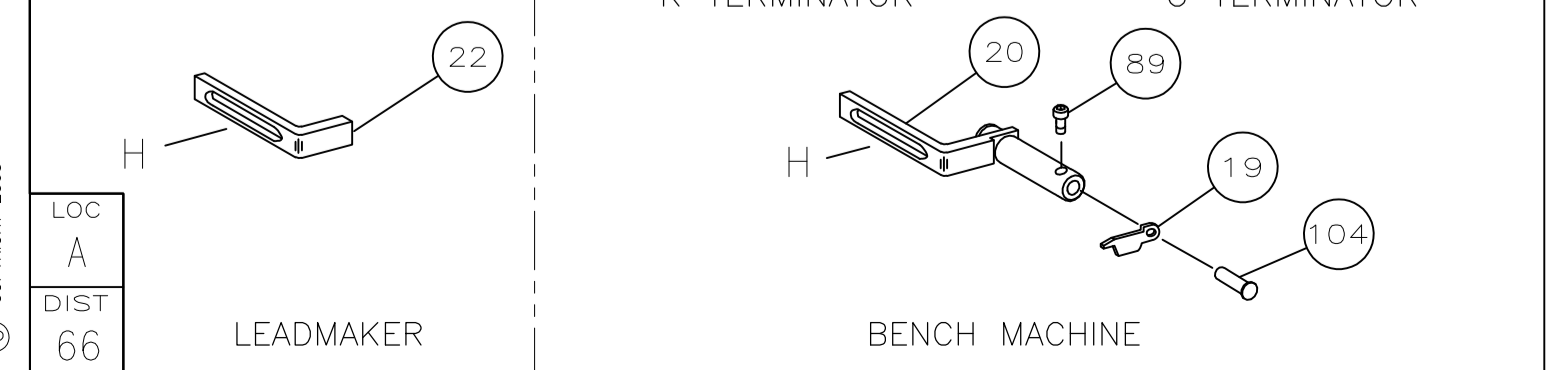
AMP TERM PN		MFR TERM PN		KOSTAL TERMINAL		AMP CRIMP SPECS	
1572762		23124472620					
PAD LTR		CRIMP HEIGHT		WIRE SIZE			
A		.126 ±0.02	[3.20 ±0.05mm]	10 awg			
B		NOT		USED			
C		NOT		USED			
D		NOT		USED			
CRIMP		SIZE		TYPE		RANGE	
WIRE		.190 [4.83mm]		F		10 awg	
INSUL		.300 [7.62mm]		0		Ø246 MAX	
WIRE STRIP LENGTH		TERM APPL SPEC		FEED		APPL INSTRUCTION	
.351-.368		NONE		.967		408-8040	
				SET UP GAGE		LAYOUT	
				458637-1		L1852095	

QTY	REQD	PER	ASSY	PART NO	DESCRIPTION	ITEM NO	
						129	
						128	
						127	
2	2	2	-	C	354779-6	PIN, WIRE DISC (.3020)A	126
1	1	1	-	A	986950-1	WASHER, FLAT PRECISION	125
1	1	1	-	A	217238-1	GENERAL INSTRUCTION PACKAGE	124
1	1	1	-	-	4088040	SF APPL INST 408-8040	123
						122	
						121	
						120	
						119	
						118	
3	3	3	-	A	21024-5	WASHER, LOCK(#10)ADJ BLOCK	117
						116	
						115	
						114	
						113	
						112	
4	4	4	-	A	21024-4	WASHER, LOCK(#8)STRIPPER	111
						110	
						109	
1	1	1	-	A	21018-5	NUT, HEX(NO.6)HOLDDOWN	108
						107	
						106	
1	1	1	-	A	371178	BASE MOUNT WASHER	105
1	1	-	-	A	992031-1	PIN, CLEVIS	104
1	1	1	-	A	21009-2	SCR,SKT SET(1/4-20x.25 LW)RAM	103
2	2	2	-	A	21017-2	SCR,DRIVE(#2x.19)ID PLATE	102
						101	
1	1	1	-	B	461264-1	PLATE, IDENTIFICATION	100
						99	
1	1	1	-	A	22733-8	SCR,BHC(8-32x.38 LW)ANVIL	98
4	4	4	-	A	2-21002-9	SCR,BHC(10-32x.75)CAP	97
3	3	3	-	A	2-22733-8	SCR,BHC(1/4-20x.62)HSG	96
1	1	1	-	A	2-21002-7	SCR,BHC(10-32x.50)SG ADJ BLK	95
4	4	4	-	A	2-21002-2	SCR,BHC(8-32x.50)TERM H DWN	94
2	2	2	-	A	9-21002-6	SCR,BHC(8-32x.88)R STP GDE	93
1	1	1	-	A	1-21003-9	SCR,FHC(6-32x.38)DEP	92
						91	
						90	
1	1	-	-	A	7-21000-9	SCR,SHC(4-40x.19)STRIPPER	89
						88	
2	2	2	-	A	2-21000-8	SCR,SHC(8-32x.62)DEP-HOLD	87
1	1	1	-	A	2-22603-1	SCR,HEX HD(8-32x.38)FEED FINGER	86
						85	
1	1	1	-	A	2-21000-7	SCR,SHC(8-32x.50)STRIPPER	84
						83	
						82	
1	1	1	-	A	3-21000-4	SCR,SHC(10-32x.38)SG ADJ BL	81
1	1	1	-	C	455888-2	SPACER, CRIMPER	80
-	1	-	-	B	462992-7	GUARD ASSY	79
REF	-	-	-	B	679532-1	INSERT, GUARD	78
						77	
						76	
						75	
1	1	1	-	A	690603-1	SPRING, ASSIST	74
1	1	1	-	A	23030-1	SCR,SHC(6-32x.25 SL)INS DISC	73
1	1	1	-	A	3-21001-5	SCR,SHC(3/8x1.00)FEED MT	72
1	1	1	-	B	459610-3	MOUNT, FEED BRACKET	71
-3	-2	-1	U/M	DWG SIZE	PART NO	DESCRIPTION	ITEM NO

- 1 RECOMMENDED SPARE PARTS.
- 2 GREASE LIGHTLY.
- 3 GUARD MUST BE IN PLACE WHEN OPERATING APPLICATOR IN A BENCH MACHINE.
- 4 SEE DRAWING FOR COMPONENTS
- 5 REAR STRIP GUIDE TO GUIDE ON INSULATION BARREL.
- 6 THIS APPLICATOR APPLIES TERMINAL WITH A SEAL.
- 7 APPLY TORQ-SEAL IN ALLEN SOCKET TO FILL HOLE AFTER FLAT HD HAS BEEN ADJUSTED TO CORRECT HEIGHT AT QUALIFICATION. APPLY PN 1-23419-5 LOC-TITE TO THREADS.
- 8 CUT TO LENGTH AT ASSEMBLY.



QTY	REQD	PER	ASSY	PART NO	DESCRIPTION	ITEM NO	
-1					LEADMAKER	AIRFEED	
-2					BENCH MODEL K	AIRFEED	
-3					BENCH MODEL G	AIRFEED	
1	1	1	-	A	21024-8	WASHER, LOCK(3/8)FEED BRKT	70
-	1	-	-	C	692655-5	AIR FEED VALVE ASSY	69
1	1	1	-	A	461690-1	SPACER, AIR FEED	68
-	REF	-	-	A	24042-2	VALVE, SHUT OFF	67
-	REF	-	-	C	692655-6	AIR FEED VALVE ASSY	66
1	1	1	-	B	461065-2	AIR FEED VALVE (2 INCH)	65
2	2	2	-	A	4-21000-3	SCR,SHC(10-32x2.00)AIR ASSY	64
1	-	1	-	A	980285-2	ELBOW, SWIVEL 1/8 NPT - 1/4 T	63
1	-	1	-	A	23238-1	QUICK DISCONNECT	62
21.00	-	21.00	IN	A	27319-4	TUBING, POLY-FLO Ø.25	61
							60
1	1	1	-	C	454220-1	CAP, RAM	59
1	1	1	-	D	454485-1	HOUSING	58
							57
1	1	1	-	B	458537-2	PAWL, FEED	56
1	-	1	-	A	22374-7	VALVE, QUICK EXHAUST	55
1	-	1	-	A	22304-1	NIPPLE, HEX	54
1	1	1	-	B	461062-1	FEED FINGER ASSY	53
							52
1	1	1	-	A	811242-2	BUMPER, HOLDDOWN	51
1	1	1	-	A	690753-1	SPACER, TONKER	50
							49
							48
							47
							46
1	1	1	-	A	690191-1	PLUG, NYLON	45
1	1	1	-	C	1-819307-0	RAM	44
1	1	1	-	A	690125-1	WASHER, LAMINATED	43
1	1	1	-	A	690124-5	WASHER, RAM	42
1	1	1	-	A	2-24921-5	BOLT, CRIMPER(5/16x1.25)	41
1	1	1	-	A	23241-6	BALL, STEEL	40
1	1	1	-	A	690170-1	SPRING, COMPRESSION	39
1	1	1	-	C	1-690142-2	DISC, INSULATION	38
1	1	1	-	D	354777-1	DISC, WIRE	37
1	1	1	-	A	22480-5	WASHER, SPRING	36
1	1	1	-	B	690212-1	POST, RAM	35
1	1	1	-	B	2-690786-3	SUPPORT, TERMINAL	34
1	1	1	-	D	318055-4	PLATE, BASE	33
							32
1	1	1	-	B	1-1320908-2	SPACER, STRIP GUIDE	31
1	1	1	-	B	455689-1	BLOCK, STRIP GUIDE ADJ	30
1	1	1	-	C	1633091-7	STRIP GUIDE ASSEMBLY	29
1	1	1	-	C	1-455888-7	SPACER, FRONT SHEAR DEP	28
							27
							26
							25
1	1	1	-	D	1320928-3	GUIDE, STRIP (REAR)	24
							23
-	-	1	-	B	690472-2	STRIPPER	22
							21
1	1	-	-	A	679218-1	STRIPPER WIRE STOP ASSY	20
1	1	-	-	B	458949-1	STRIPPER	19
							18
							17
1	1	1	-	B	318563-1	GUARD, CHIP, FRONT	16
							15
							14
							13
1	1	1	-	A	5-22280-0	SPRING, SHEAR	12
1	1	1	-	B	690461-1	STOP, SHEAR	11
1	1	1	-	C	2-690459-2	HOLDER, SHEAR (FRONT)	10
1	1	1	-	C	318059-5	SHEAR, FLOAT (FRONT)	9
1	1	1	-	C	1633332-1	ANVIL	8
1	1	1	-	C	240641-3	SPACER, DEPRESSOR (REAR)	7
1	1	1	-	C	2-455888-7	SPACER, CRIMPER	6
1	1	1	-	C	122399-4	DEPRESSOR, SHEAR (FRONT)	5
1	1	1	-	B	238011-1	SPACER, BLOCK CRIMPER	4
1	1	1	-	C	4-1583690-4	CRIMPER, INSULATION	3
1	1	1	-	C	2-455888-5	SPACER, CRIMPER	2
1	1	1	-	C	1-1633305-5	CRIMPER, WIRE	1
-3	-2	-1	U/M	DWG SIZE	PART NO	DESCRIPTION	ITEM NO



Mouser Electronics

Authorized Distributor

Click to View Pricing, Inventory, Delivery & Lifecycle Information:

[TE Connectivity:](#)

[1852095-2](#)