

**General Description**

The MAX9937 evaluation kit (EV kit) is an assembled and tested PCB used to evaluate the MAX9937 current-sense amplifier, designed for unidirectional high-side current-sense applications. The EV kit can be used to demonstrate the applicability of the MAX9937 to withstand transients, such as load-dump protection, reverse-battery protection, and filtering for EMI.

**Features**

- Reverse-Battery and Load-Dump Protection
  - -20V to +40V
- +4V to +28V Input Common-Mode Range
- +2.7V to +5.5V Supply Range
- Flexible EMI Filtering
- Lead(Pb)-Free and RoHS Compliant
- Fully Assembled and Tested

**Quick Start**

**Recommended Equipment**

Before beginning, the following equipment is needed:

- 12V, 2A power supply (VBAT)
- 5V power supply (VCC)
- Electronic load capable of sinking 2A
- Digital voltmeter (DVM)

**Ordering Information**

PART	TYPE
MAX9937EVKIT+	EV Kit

\*Denotes lead(Pb)-free and RoHS compliant.

**Procedure**

The MAX9937 EV kit is fully assembled and tested. Follow the steps below to verify board operation. **Caution: Do not turn on power supplies until all connections are completed.**

- 1) Set the input power supply to 12V and connect the positive terminal to the VBAT PCB pad. Connect the ground of the power supply to the GND PCB pad.
- 2) Set the VCC power supply to 5V and connect the positive terminal to the VCC PCB pad. Connect the ground of the VCC supply to the GND pad.
- 3) Set the electronic load to sink 2A.
- 4) Connect the electronic load’s positive terminal to the LOAD pad. Connect the load’s ground to the GND PCB pad.
- 5) Connect the DVM across the VOUT PCB pad and the GND pad.
- 6) Turn on the 5V power supply.
- 7) Turn on the 12V power supply.
- 8) Adjust the electronic load current ( $I_{LOAD}$ ) between 0A and 2A and verify that  $V_{OUT}$  is proportional to  $V_{SENSE}$  according to the following equation:

$$V_{OUT} = V_{SENSE} \times \frac{R2}{R3}$$

where  $V_{SENSE} = I_{LOAD} \times R1$ .

### Detailed Description of Hardware

The MAX9937 EV kit evaluates the MAX9937 unidirectional high-side current-sense amplifier, which features a 4V to 28V input common-mode voltage range that is independent of supply voltage ( $V_{CC} = 2.7V$  to  $5.5V$ ). The MAX9937 monitors the current through a current-sense resistor by converting the sense voltage to a voltage output ( $V_{OUT}$ ). Gain is set by the ratio of an output resistor ( $R_2$ ) and an input resistor ( $R_3$ ). High-side current monitoring with the MAX9937 does not interfere with the ground path of the load, making it useful for a variety of battery/ECU-monitoring applications.

The MAX9937 EV kit produces an output voltage ( $V_{OUT}$ ) given by the following equations:

$$V_{SENSE} = I_{LOAD} \times R_{SENSE}$$

$$V_{OUT} = V_{SENSE} \times \frac{R_2}{R_3}$$

where  $I_{LOAD}$  is the current load applied to the device and  $R_{SENSE}$  is the current-sense resistor  $R_1$  (e.g.,  $I_{LOAD} = 2A$ ,  $R_{SENSE} = 0.05\Omega$ ,  $R_2 = 20k\Omega$ ,  $R_3 = 1k\Omega$ , and  $V_{OUT} = 2V$ ).

### Overvoltage Protection

The MAX9937 EV kit provides a  $1k\Omega$  resistor at each of the RSP and RSN inputs to demonstrate the reverse-battery and load-dump protection capabilities of the MAX9937 IC. The normal operating  $V_{RSP}$  and  $V_{RSN}$  range is 4V to 28V, but the robust input ESD structure allows the input common-mode voltages to exceed this range for short periods of time.

Short-duration overvoltages on the battery line (VBAT to LOAD) are isolated from the RSP and RSN pins of the MAX9937 by the use of input resistors  $R_3$  and  $R_4$ . The input ESD clamp structure is designed so the device can withstand short-duration ( $< 1s$ ) overvoltages up to 40V when using resistors  $R_3$  and  $R_4$  of  $500\Omega$  or greater. The circuit can also withstand a reverse-battery voltage of  $-20V$ . During reverse-battery conditions, size  $R_3$  and  $R_4$  input resistors to withstand their expected power dissipations. Refer to the *Input Common-Mode Voltages > 28V and < 0V* section in the MAX9937 IC data sheet for a more detailed description.

### EMI Filtering

The MAX9937 EV kit provides two uninstalled capacitor pads (C2 and C4), which the user can populate to improve performance in the presence of input commonmode voltage and input differential-voltage transients. Refer to the *Flexible EMI Filtering* section in the MAX9937 IC data sheet for a more detailed description.

### Component List

DESIGNATION	QTY	DESCRIPTION
C1	1	1 $\mu$ F $\pm 10\%$ , 50V X7R ceramic capacitor (1206) Murata GRM31MR71H105KA TDK C3216X7R1H105K
C2, C4	0	Not installed, capacitors (0603)
C3	1	0.01 $\mu$ F $\pm 10\%$ , 50V X7R ceramic capacitor (0603) Murata GRM188R71H103K TDK C1608X7R1H103K
R1	1	0.05 $\Omega$ $\pm 1\%$ , 0.5W current-sense resistor (1206) IRC LRC-LR1206LF-01-R050-F
R2	1	20k $\Omega$ $\pm 1\%$ resistor (0603)
R3, R4	2	1k $\Omega$ $\pm 1\%$ resistor (1206)
U1	1	Current-sense amplifier (5 SC70) Maxim MAX9937AXK+
—	1	PCB: MAX9937 EVALUATION KIT+

### Component Suppliers

SUPPLIER	PHONE	WEBSITE
IRC, Inc.	361-992-7900	www.irctt.com
Murata Americas	770-436-1300	www.murataamericas.com
TDK Corp.	847-803-6100	www.component.tdk.com

**Note:** Indicate that you are using the MAX9937 when contacting these component suppliers.

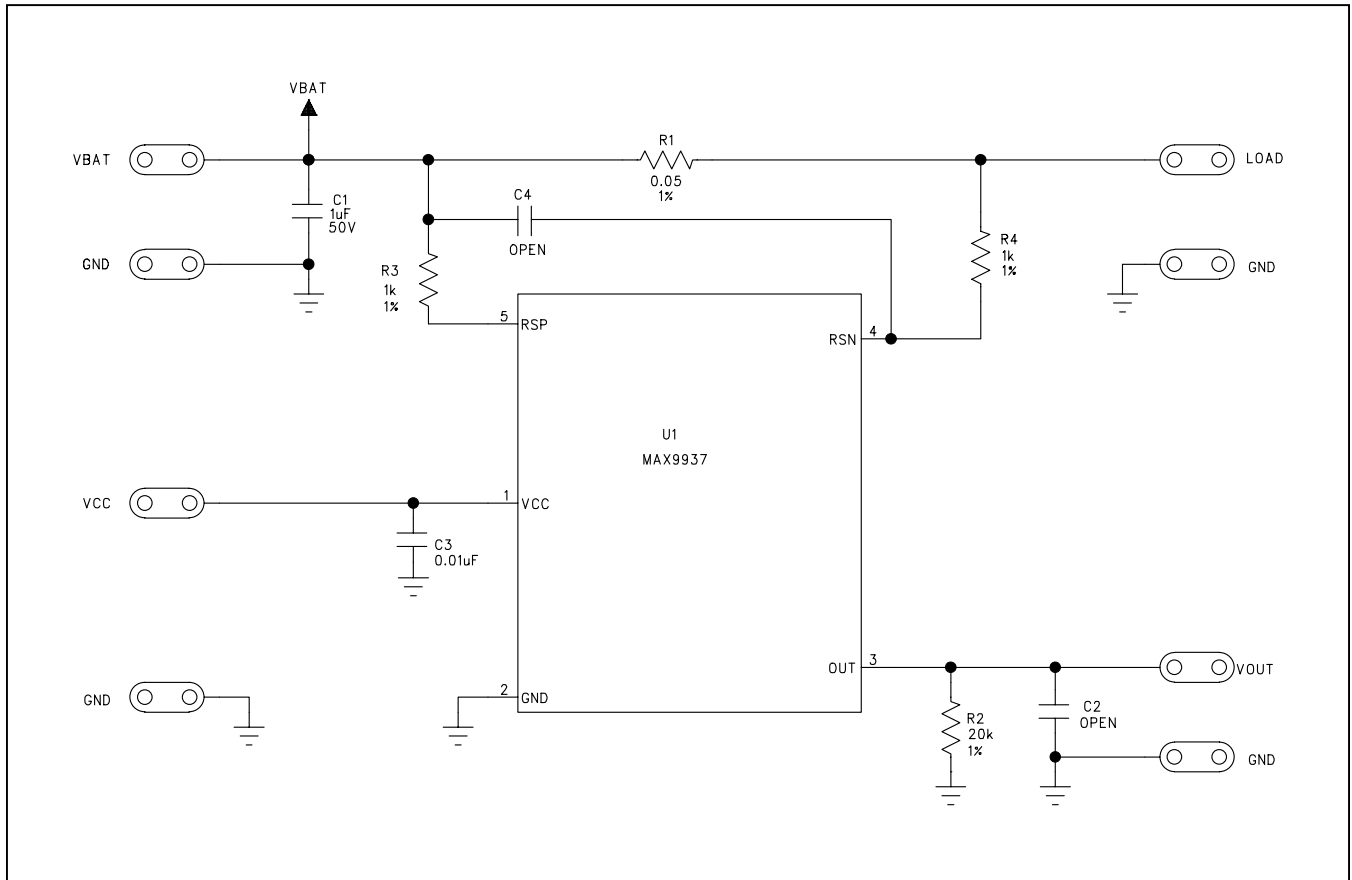


Figure 1. MAX9937 EV Kit Schematic

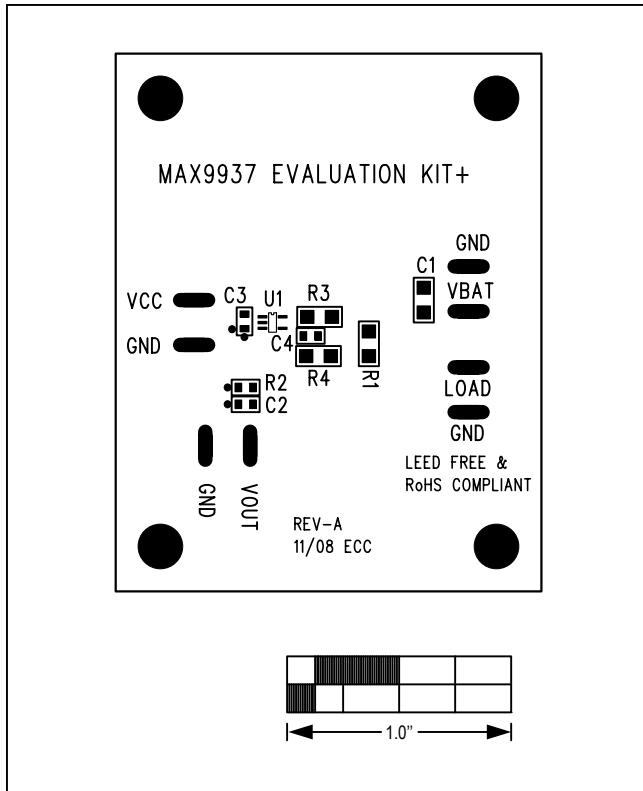


Figure 2. MAX9937 EV Kit Component Placement Guide—Component Side

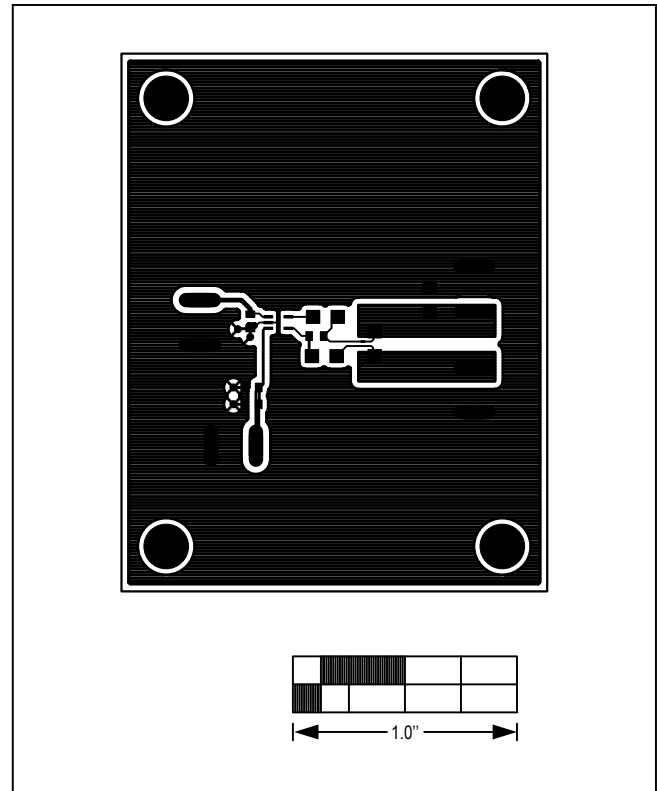


Figure 3. MAX9937 EV Kit Component PCB Layout—Component Side

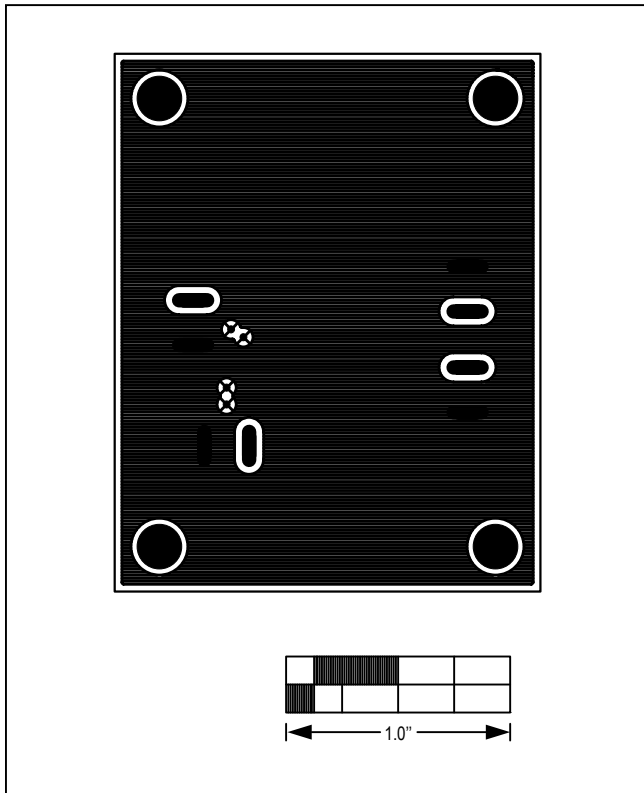


Figure 4. MAX9937 EV Kit PCB Layout—Solder Side

## Revision History

REVISION NUMBER	REVISION DATE	DESCRIPTION	PAGES CHANGED
0	1/09	Initial release	—
1	5/15	Deleted automotive references in <i>General Description</i> , <i>Component List</i> , and <i>Detailed Description of Hardware</i> sections; added <i>Revision History</i> table	1, 2, 6

For pricing, delivery, and ordering information, please contact Maxim Direct at 1-888-629-4642, or visit Maxim Integrated's website at [www.maximintegrated.com](http://www.maximintegrated.com).

*Maxim Integrated cannot assume responsibility for use of any circuitry other than circuitry entirely embodied in a Maxim Integrated product. No circuit patent licenses are implied. Maxim Integrated reserves the right to change the circuitry and specifications without notice at any time.*

# Mouser Electronics

Authorized Distributor

Click to View Pricing, Inventory, Delivery & Lifecycle Information:

[Maxim Integrated:](#)

[MAX9937EVKIT+](#)