

SECTION Z-Z

NOTE:

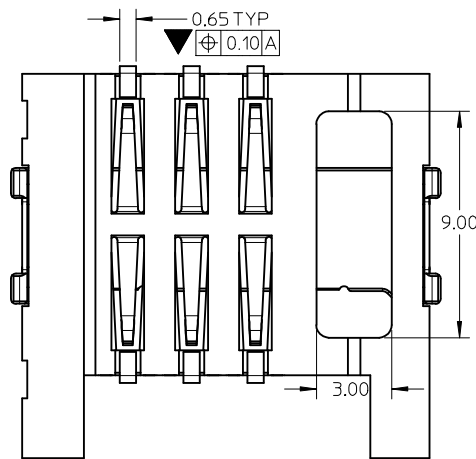
1.MATERIAL:

HOUSING: LCP, GLASS-FILLED, UL 94V-0, COLOR BLACK.
 TERMINAL: PHOSPHOR BRONZE, THICKNESS: 0.12MM.
 SHELL: STAINLESS STEEL, THICKNESS: 0.2MM.

2.FINISH:

1.0~4.0 MICRON NI OVER ALL.
 0.5 MICRON MIN GOLD FOR CONTACT AREA.
 0.05 GOLD MICRON MIN FOR SOLDER TAIL.

3.PRODUCT SPECIFICATION: PS-47308-001.



ADD PIN ASSIGNMENT EC NO: SZ015-0807 DRW: GEMARLY 2013/07/02 CHKD: SCHEONG 2015/01/29 APPR: KHL JM 2015/01/29	QUALITY SYMBOLS F=0 E=0 E=0 C=1 =1	GENERAL TOLERANCES (UNLESS SPECIFIED)		DIMENSION STYLE	SCALE	DESIGN UNITS	THIRD ANGLE PROJECTION	
				MM ONLY	NTS	METRIC		
				mm	INCH	DRAWN BY	DATE	TITLE
		4 PLACES	± ---	± ---	CYZHU	2005/11/24	SIM CARD CONNECTOR 2.0MM HEIGHT	
3 PLACES	± ---	± ---	CHECKED BY	DATE				
2 PLACES	± 0.15	± ---	YJWU	2005/11/24				
1 PLACE	± ---	± ---	APPROVED BY	DATE				
0 PLACE	±	±	GCHEN	2005/11/24				
		ANGULAR ± 1/2°	MATERIAL NO.	DOCUMENT NO.				
		DRAFT WHERE APPLICABLE MUST REMAIN WITHIN DIMENSIONS	473080001	SD-47308-001				
			SIZE A3	THIS DRAWING CONTAINS INFORMATION THAT IS PROPRIETARY TO MOLEX INCORPORATED AND SHOULD NOT BE USED WITHOUT WRITTEN PERMISSION				