

4

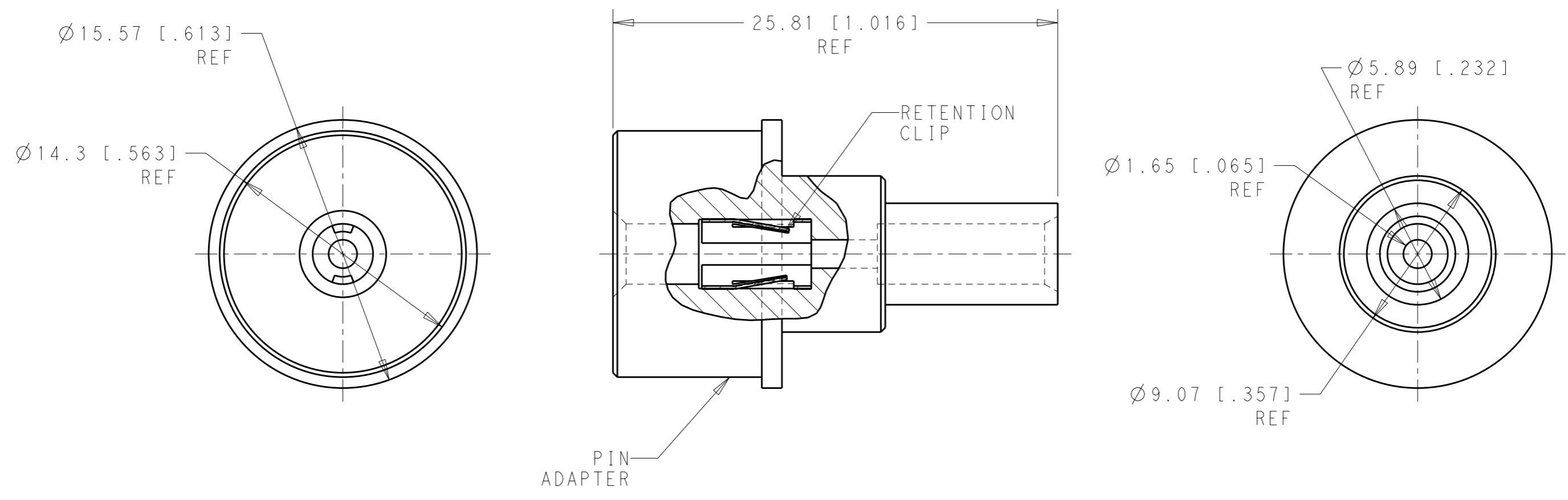
3

2

1


THIS DRAWING IS UNPUBLISHED. RELEASED FOR PUBLICATION 20
 © COPYRIGHT 20 BY - ALL RIGHTS RESERVED.

LOC	DIST	REVISIONS				
P	LTR	DESCRIPTION	DATE	DWN	APVD	
AD	00	A	INITIAL REV	02MAR2012	BC DO	



1 PIN ADAPTER: ULTEM 1000.
 RETENTION CLIP: STAINLESS STEEL.

1651815-1
 PART NUMBER

THIS DRAWING IS A CONTROLLED DOCUMENT.		DWN B. CARBO 02MAR2012	 TE Connectivity	
DIMENSIONS: mm [INCHES]		CHK D. ORRIS 02MAR2012		
TOLERANCES UNLESS OTHERWISE SPECIFIED:		APVD D. ORRIS 02MAR2012	NAME SUBASSEMBLY, SIZE No.0 TO SIZE No.16 PIN ADAPTER WITH No.16 RETENTION CLIP PN 705-0075-01100	
0 PLC ±- 1 PLC ±- 2 PLC ±- 3 PLC ±- 4 PLC ±- ANGLES ±-		PRODUCT SPEC -	SIZE A3 CAGE CODE 00779 DRAWING NO C-1651815 RESTRICTED TO -	
MATERIAL 1 FINISH -		APPLICATION SPEC -	SCALE 4:1 SHEET 1 OF 1 REV A	
		WEIGHT -	CUSTOMER DRAWING	

Mouser Electronics

Authorized Distributor

Click to View Pricing, Inventory, Delivery & Lifecycle Information:

[TE Connectivity:](#)

[1651815-1](#)