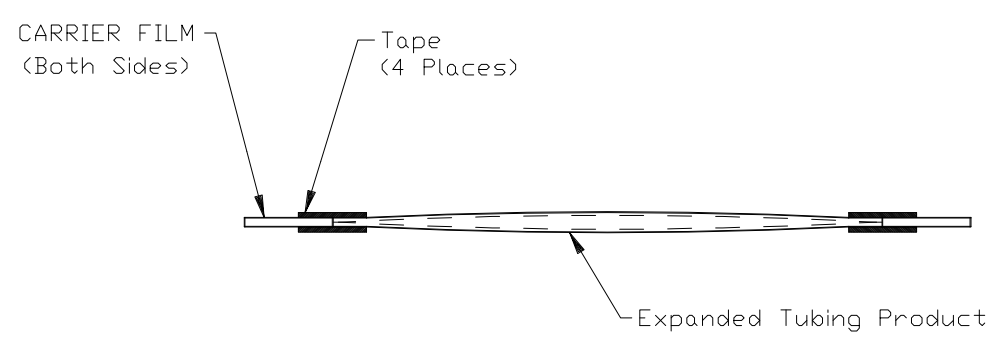
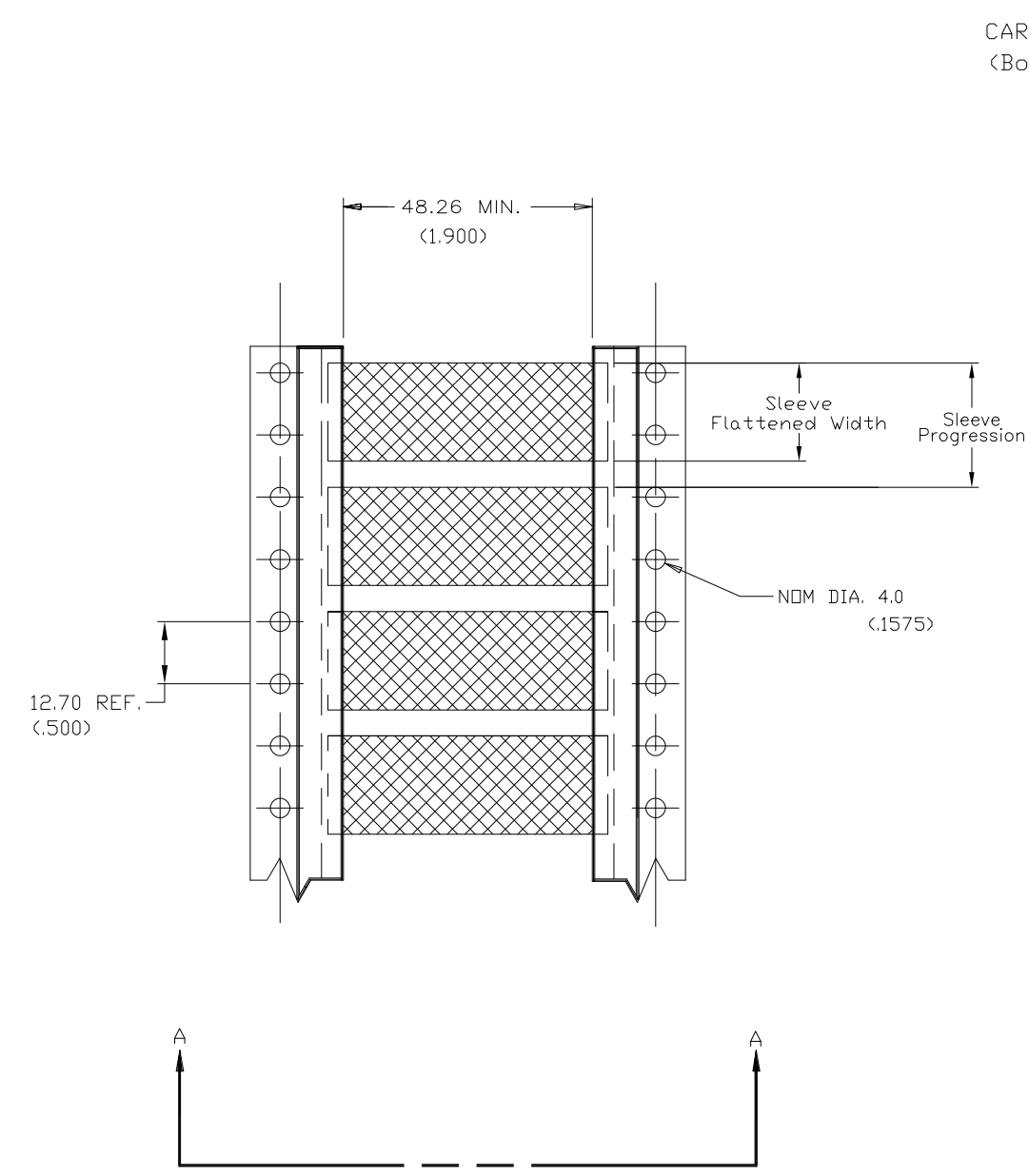


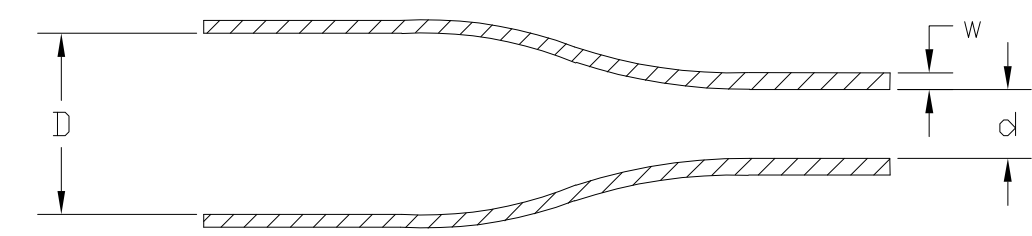
THIS DRAWING IS UNPUBLISHED. RELEASED FOR PUBLICATION  
 © COPYRIGHT - By - ALL RIGHTS RESERVED.

LOC	DIST	REVISIONS			
P	LTR	DESCRIPTION	DATE	DWN	APVD
	F	UPDATE REF. ECR-14-013419	16FEB2015	AFK	SR



Product Size	3/32	1/8	3/16	1/4	3/8	1/2	3/4	1	1-1/2	2	2-1/4
Minimum Sleeve Flattened Width	4.32 (.170)	5.84 (.230)	8.00 (.315)	10.7 (.420)	15.5 (.610)	20.4 (.803)	30.5 (1.200)	40.4 (1.590)	60.3 (2.37)	80.0 (3.15)	88.9 (3.50)
Nominal Sleeve Progression	12.70 (.500)	12.70 (.500)	12.70 (.500)	16.94 (.667)	25.40 (1.000)	29.64 (1.167)	42.34 (1.667)	50.80 (2.00)	71.96 (2.83)	101.60 (4.00)	101.60 (4.00)
"D" Minimum Supplied I.D.	2.36 (.093)	3.18 (.125)	4.75 (.187)	6.35 (.250)	9.53 (.375)	12.70 (.500)	19.05 (.750)	25.40 (1.00)	38.10 (1.50)	50.80 (2.00)	57.15 (2.25)
"d" Maximum Recovered I.D.	0.79 (.031)	1.07 (.042)	1.57 (.062)	2.11 (.083)	3.18 (.125)	4.22 (.166)	6.35 (.250)	8.46 (.333)	19.05 (.750)	25.40 (1.00)	19.05 (.750)
"w" Recovered wall ±0.08 (.003)	0.58 (.023)	0.58 (.023)	0.58 (.023)	0.58 (.023)	0.61 (.024)	0.61 (.024)	0.61 (.024)	0.64 (.025)	0.51 (.020)	0.64 (.025)	0.76 (.030)

DIMENSIONS IN mm (inches)



THIS DRAWING IS A CONTROLLED DOCUMENT.		DWN AFK 08NOV2013	TE Connectivity	
DIMENSIONS: mm		CHK -		
TOLERANCES UNLESS OTHERWISE SPECIFIED:		APVD -	NAME TMS-SCE	
0 PLC ± -		PRODUCT SPEC -	---	
1 PLC ± -		APPLICATION SPEC -	-	
2 PLC ± -		SIZE A3	CAGE CODE 06090	DRAWING NO C-MCD160002
3 PLC ± -		WEIGHT -	RESTRICTED TO -	
4 PLC ± -		CUSTOMER DRAWING		
ANGLES ± -		SCALE 1:1		
FINISH -		SHEET 1 OF 1		
CROSSLINKED POLYOLEFIN		REV F		

# Mouser Electronics

Authorized Distributor

Click to View Pricing, Inventory, Delivery & Lifecycle Information:

[TE Connectivity:](#)

[TMS-SCE-1K-3/16-2.0-4](#)