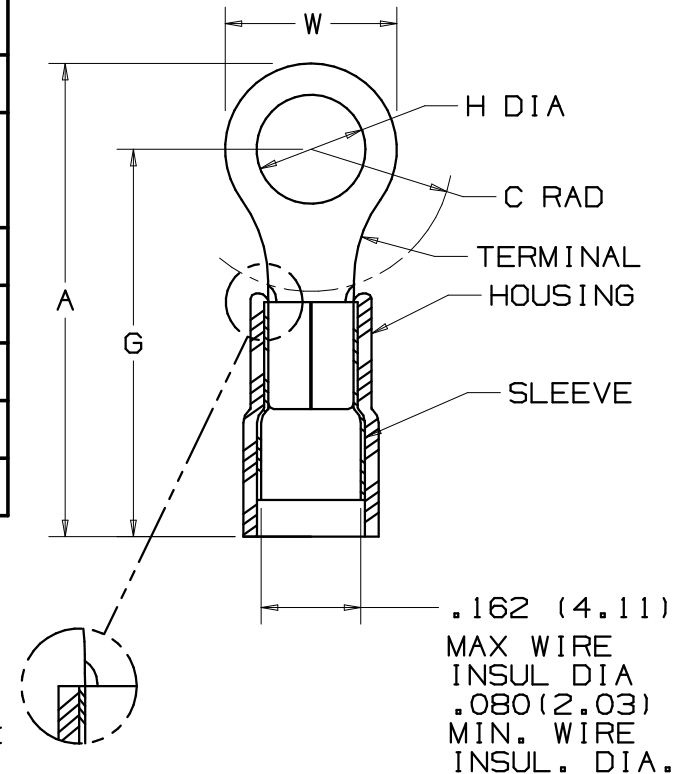


PANDUIT PART NUMBER	PK	MILITARY PART NO. AND CLASS	STUD SIZE	DIMENSIONS in.				
				A $\pm .03$	W $\pm .01$	C $\pm .02$	G $\pm .03$	H $\pm .01$
PN14-4R	-C -M	MS25036-152 CLASS 1 & 2	#4	.78 (19.8)	.25 (6.4)	.20 (5.1)	.66 (16.8)	.12 (3.1)
PN14-6R	-C -M	MS25036-107 CLASS 1 & 2	#6	.85 (21.6)	.31 (7.9)	.25 (6.4)	.71 (18.0)	.15 (3.8)
PN14-6RN	-C -M	MS25036-106 CLASS 1 & 2	#6	.76 (19.3)	.25 (6.4)	.20 (5.1)	.63 (16.0)	.15 (3.8)
PN14-8R	-C -M	MS25036-153 CLASS 1 & 2	#8	.85 (21.6)	.31 (7.9)	.25 (6.4)	.68 (17.3)	.17 (4.3)
PN14-10R	-C -M	MS25036-108 CLASS 1 & 2	#10	.85 (21.6)	.31 (7.9)	.25 (6.4)	.68 (17.3)	.20 (5.1)
PN14-14R	-C -M	MS25036-154 CLASS 1 & 2	1/4"	1.05 (26.7)	.46 (11.7)	.38 (9.7)	.82 (20.8)	.27 (6.9)
PN14-56R	-C -M	MS25036-109 CLASS 1 & 2	5/16"	1.05 (26.7)	.46 (11.7)	.38 (9.7)	.82 (20.8)	.34 (8.6)
PN14-38R	-L -M	MS25036-110 CLASS 1 & 2	3/8"	1.14 (29.0)	.53 (13.5)	.43 (10.9)	.86 (21.8)	.40 (10.2)
PN14-12R	-L	-----	1/2"	1.35 (34.3)	.72 (18.3)	.53 (13.5)	.99 (25.1)	.52 (13.2)



NOTES:

- UL LISTED AND CSA CERTIFIED FOR:
 - 600V. MAX. BLDG. WIRE (1000V. MAX. IN SIGNS, FIXTURES & LUMINARIES)
 - 221°F. (105°C) MAX. TEMP. RATING
 - #18-14 AWG SOLID OR STRANDED COPPER WIRE WITH THE CT-550, CT-1550, CT-1551, CT-460 (UL ONLY, AND MIL CLASS 2), CT-400 (UL ONLY, MIL CLASS 2) INSTALLATION TOOLS
 - #16-14 AWG SOLID OR STRANDED COPPER WIRE WITH THE CT-100 INSTALLATION TOOL
- MATERIAL:
 - STAMPING- .03" (.8) THK. COPPER, TIN PLATED
 - HOUSING- NYLON, BLUE
 - SLEEVE- BRASS, TIN PLATED
- WIRE STRIP LENGTH- 7/32" +1/32, -0 (5.6, +.8, -0)
- PACKAGE QUANTITY: -L = 50, -D = 500, -M = 1000
- DIMENSIONS IN PARENTHESIS ARE IN MILLIMETERS

Panduit part numbers shown on this drawing meet the material requirements of RoHS (EUROPEAN DIRECTIVES 2002/95/EC) as proposed by the Technical Adaptation Committee



A41185_10

10	2/07	BCT	BCT	ADDED ALTERNATE SLEEVE / HOUSING DESIGN	TRO0214	LCA	TRO	TINLEY PARK, ILLINOIS 3PC. NYLON INSULATED, 16-14 BARREL, RINGS
09	8/06	DAW	DAW	ADDED MILITARY PART NO. & CLASS	TRO0155	LCA	TRO	
08	5/05	JHNU	SKB	REVISED NOTE 1 PER PRODUCT MANAGEMENT REQUEST.	12723	SKB	TRO	
07	12/02	SAC	SKB	FOR PN14-12R DIM A WAS 1.34 & DIM G WAS .98 & CHANGED ALL METRIC DIMS TO ONE PLACE	10504	LA	TRO	
REV	DATE	BY	CHK	DESCRIPTION	ECN #	CUST	PM	DRAWN BY: FES CHK'D: RLS SCALE: NONE DRAWING NO.: A41185

Mouser Electronics

Authorized Distributor

Click to View Pricing, Inventory, Delivery & Lifecycle Information:

[Panduit:](#)

[PN14-8R-M](#) [PN14-6R-M](#) [PN14-14R-C](#) [PN14-38R-L](#) [PN14-38R-M](#) [PN14-4R-C](#) [PN14-56R-C](#) [PN14-6R-C](#) [PN14-8R-C](#) [PN14-4R-M](#) [PN14-56R-M](#) [PN14-6RN-C](#) [PN14-10R-C](#) [PN14-10R-M](#) [PN14-14R-M](#) [PN14-6RN-M](#)