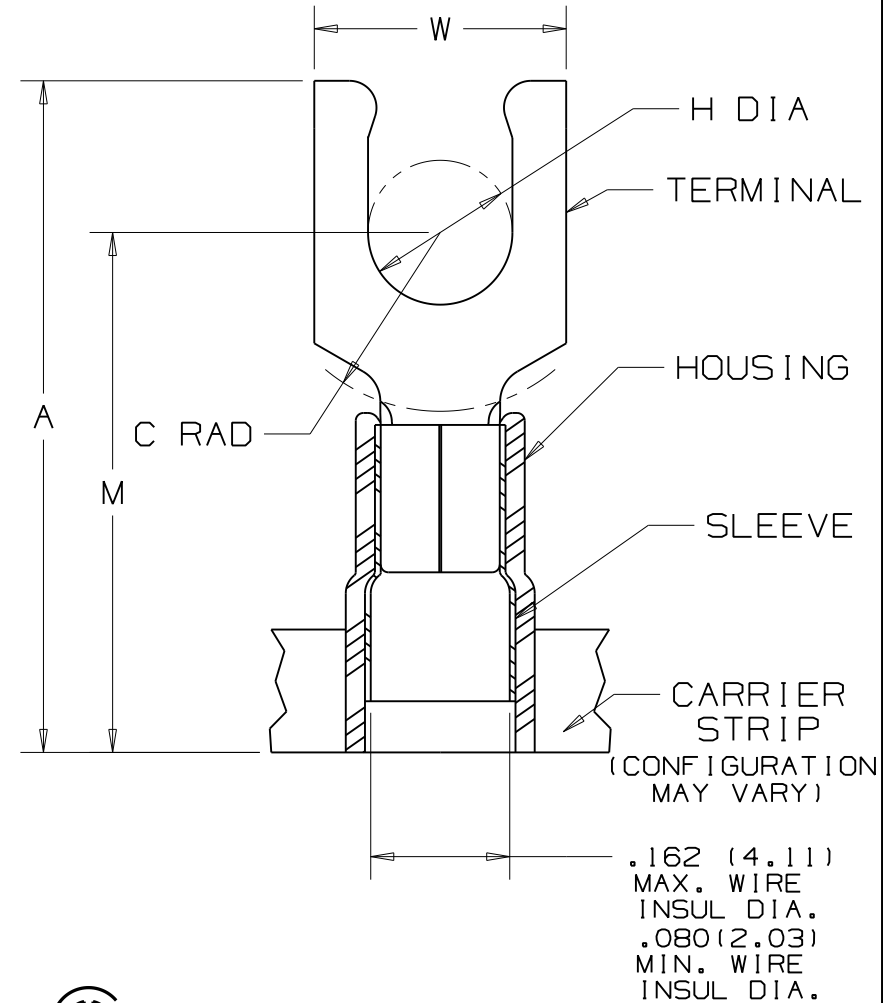


PANDUIT PART NUMBER	STUD SIZE	DIMENSIONS in.				
		A $\pm .030$	W $\pm .010$	C $\pm .020$	M $\pm .030$	H $\pm .010$
PN14-6LF-3K	#6	.85 (21.59)	.25 (6.35)	.18 (4.57)	.63 (16.00)	.14 (3.56)
PN14-8LF-3K	#8	.92 (23.37)	.29 (7.37)	.23 (5.84)	.68 (17.27)	.16 (4.06)
PN14-10LF-3K	#10	.92 (23.37)	.33 (8.38)	.23 (5.84)	.68 (17.27)	.19 (4.83)



NOTES :

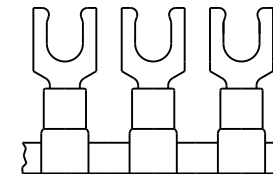
- UL LISTED AND CSA CERTIFIED FOR :
 A. 600 V MAX. VOLTAGE RATING
 B. 221°F (105°C) MAX. TEMP. RATING
 C. #16-14 AWG (1.5-2.5 mm²) SOLID OR STRANDED, COPPER WIRE
- PACKAGE QTY. : 3K = 3000 PCS.
CONTINUOUS MOLDED CARRIER STRIP
- MATERIAL :
 A. STAMPING - .03" THK COPPER, TIN PLATED
 B. HOUSING - BLUE NYLON
 C. SLEEVE - BRASS, TIN PLATED
- DIMENSIONS IN BRACKETS ARE IN MILLIMETERS
- INSTALLATION TOOLS :
 A. PRESSES - CP-851, CP-860, CP-861
 B. APPLICATOR - CA-800
 C. DIE INSERTS - CD-800-2
- STRIP LENGTH: $7/32^{+1/32}_{-0}$ (5.6^{+0.8}₋₀)



LISTED
587H
E52164



CERTIFIED
LR31212



REV	DATE	BY	CHK	DESCRIPTION	ECN	CUST	PM
05	11/07	SRB		Removed Part #'s PN14-6LFW-3K, PN14-10LFN-3K, Parts Obsoleted			

PANDUIT

CORP.

TINLEY PARK, ILLINOIS

TERMO 3PC. CONTINUOUSLY MOLDED NYLON INSULATED, 16-14 BARREL, LOCKING FORKS

DRAWN BY: JMV CHK'D: LA SCALE: NONE DRAWING NO.: A41102

Mouser Electronics

Authorized Distributor

Click to View Pricing, Inventory, Delivery & Lifecycle Information:

[Panduit:](#)

[PN14-6LF-3K](#) [PN14-10LF-3K](#) [PN14-8LF-3K](#)