

PCF8536

Universal LCD driver for low multiplex rates including a 6 channel PWM generator

Rev. 2 — 21 February 2012

Product data sheet

1. General description

The PCF8536 is a peripheral device which interfaces to almost any Liquid Crystal Display (LCD)¹ with low multiplex rates. It generates the drive signals for any multiplexed LCD containing up to eight backplanes, up to 44 segments, and up to 320 elements. The PCF8536 is compatible with most microcontrollers and communicates via the two-line bidirectional I²C-bus (PCF8536AT) or a three line unidirectional SPI-bus (PCF8536BT). Communication overheads are minimized using a display RAM with auto-incremented addressing.

The PCF8536 features an on-chip PWM controller for LED illumination. Up to six independent channels can be configured. Each channel has 128 levels allowing the possibility for two RGB controllers. Each of them provides over 2 million colors. Each channel can also be used for static drive.

2. Features and benefits

- Single-chip 320 segment LCD controller and driver with 6 channel PWM generator
- 6 channel PWM generator for backlight LED illumination
- Selectable display bias configuration
- Wide range for digital power supply: from 1.8 V to 5.5 V
- Wide LCD supply range: from 2.5 V for low threshold LCDs and up to 9.0 V for high threshold twisted nematic LCDs
- Low power consumption
- Selectable backplane drive configuration: 4, 6, or 8 backplane multiplexing
- LCD and logic supplies may be separated
- 320-bit RAM for display data storage
- 6 PWM outputs with a 7-bit resolution (128 steps) and drivers for external transistors
- Programmable PWM frame frequency to avoid LCD backlight flickering
- 400 kHz I²C-bus interface (PCF8536AT)
- 5 MHz SPI-bus interface (PCF8536BT)
- Programmable frame frequency in the range of 60 Hz to 300 Hz in steps of 10 Hz; factory calibrated

1. The definition of the abbreviations and acronyms used in this data sheet can be found in [Section 19](#).



- 320 segments driven allowing:
 - ◆ up to 40 7-segment alphanumeric characters
 - ◆ up to 20 14-segment alphanumeric characters
 - ◆ any graphics of up to 320 elements
- Manufactured in silicon gate CMOS process

3. Applications

- White goods and consumer products

4. Ordering information

Table 1. Ordering information

| Type number | Interface type | Package | | |
|-------------|----------------------|---------|--|----------|
| | | Name | Description | Version |
| PCF8536AT/1 | I ² C-bus | TSSOP56 | plastic thin shrink small outline package; 56 leads; body width 6.1 mm | SOT364-1 |
| PCF8536BT/1 | SPI-bus | TSSOP56 | plastic thin shrink small outline package; 56 leads; body width 6.1 mm | SOT364-1 |

5. Marking

Table 2. Marking codes

| Type number | Marking code |
|-------------|--------------|
| PCF8536AT/1 | PCF8536AT |
| PCF8536BT/1 | PCF8536BT |

6. Block diagram

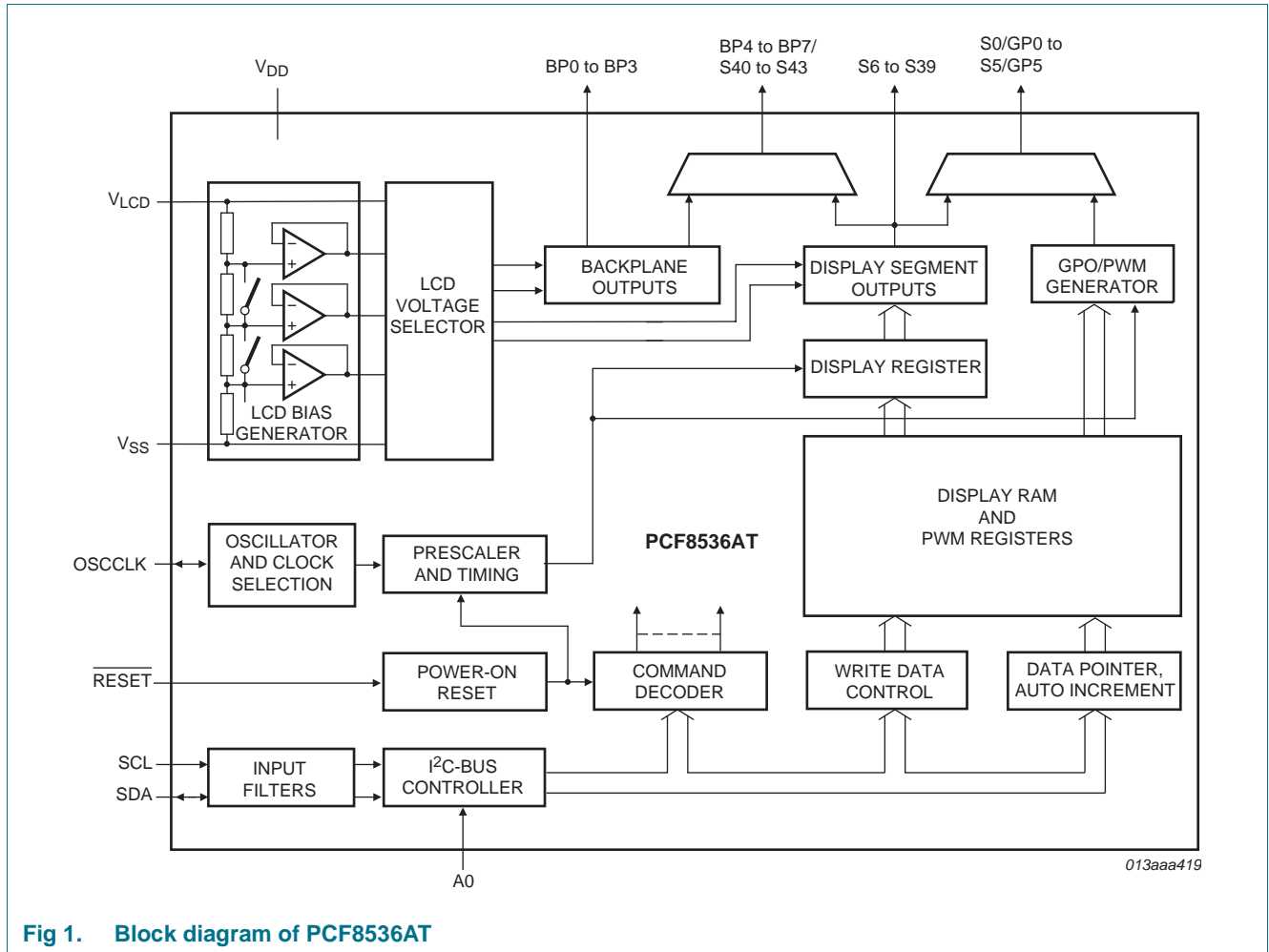


Fig 1. Block diagram of PCF8536AT

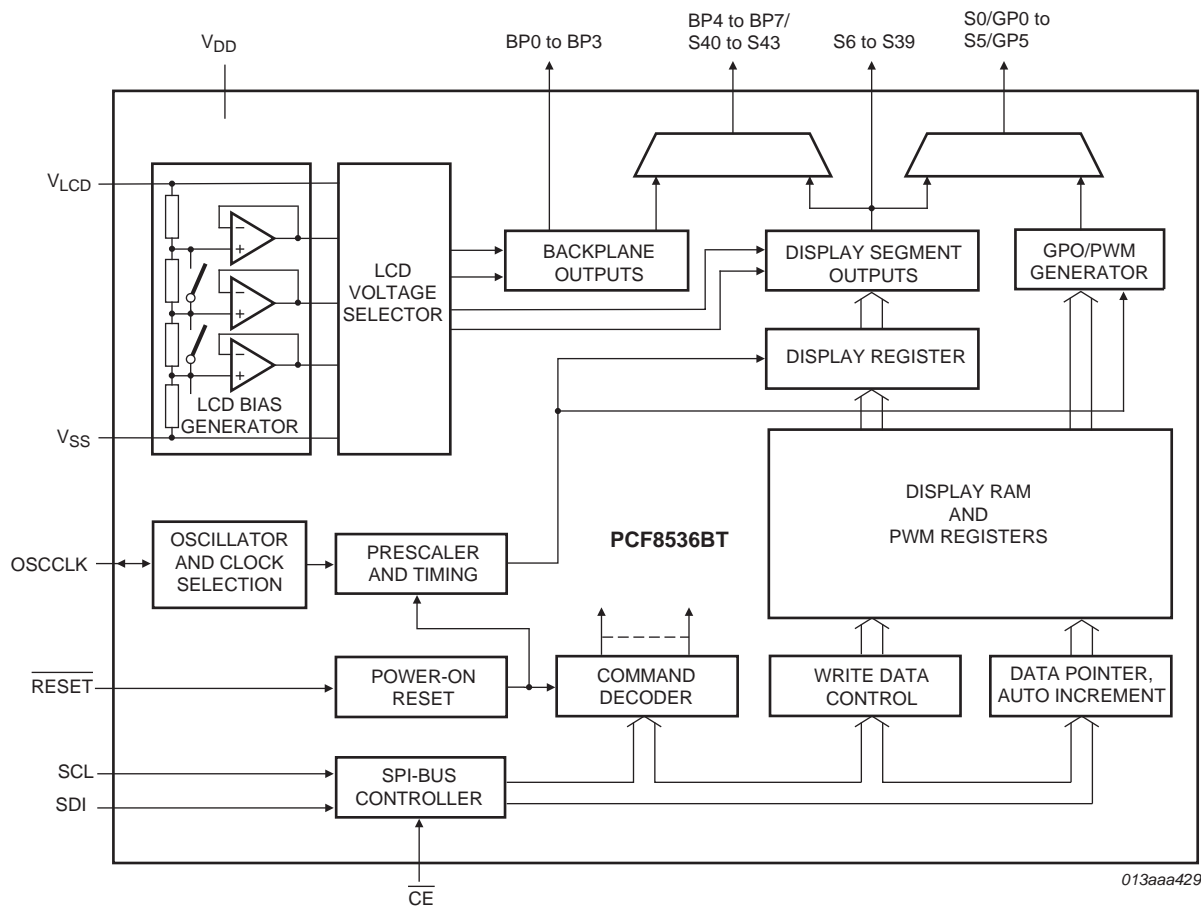
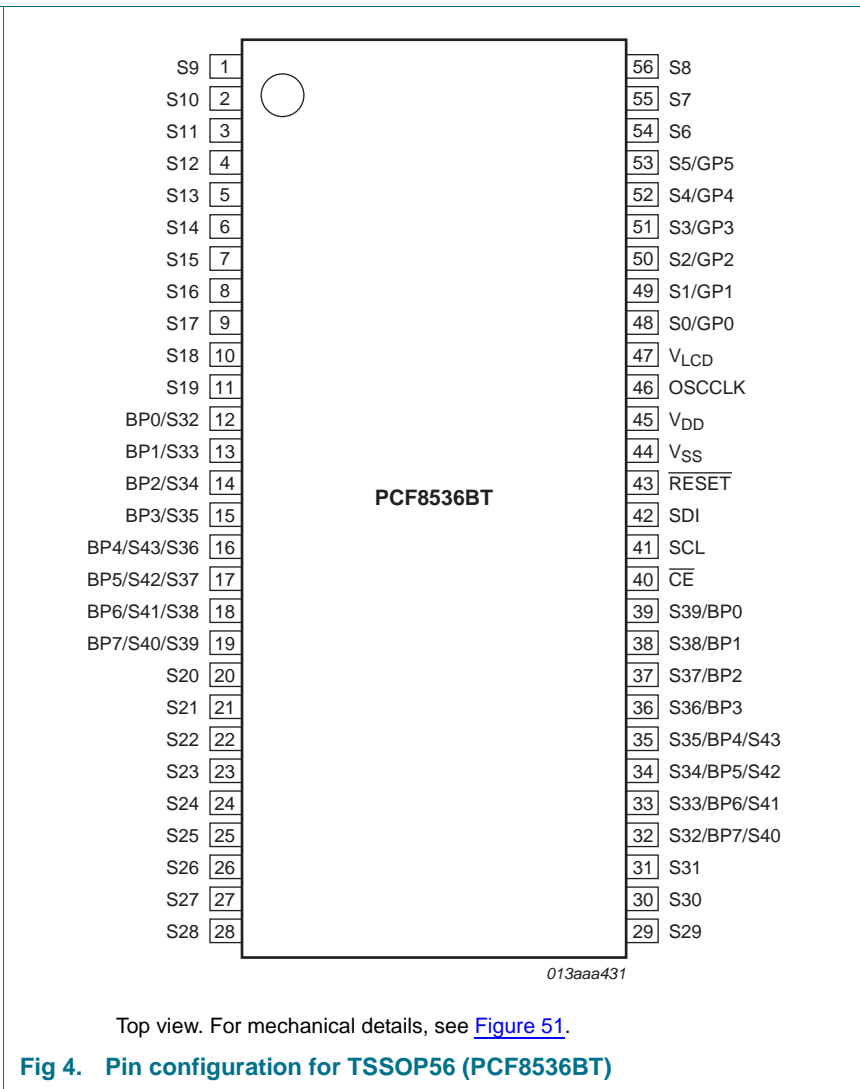
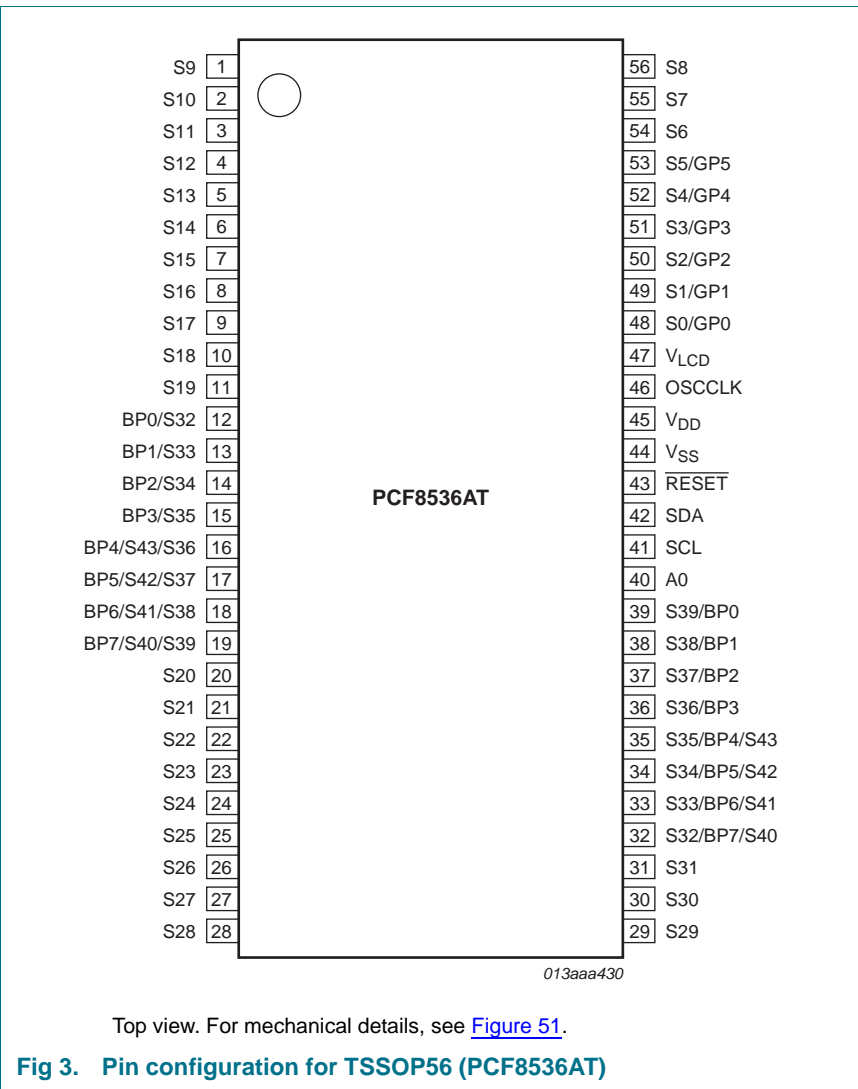


Fig 2. Block diagram of PCF8536BT

7. Pinning information

7.1 Pinning



7.2 Pin description

Table 3. Pin description of PCF8536AT and PCF8536BT

| Pin | Symbol | Type | Description |
|----------|---------------------------------|--------------|---|
| 1 to 11 | S9 to S19 | output | LCD segment |
| 20 to 31 | S20 to S31 | output | LCD segment |
| 43 | $\overline{\text{RESET}}$ | input | active LOW reset input |
| 44 | V _{SS} | supply | ground supply voltage |
| 45 | V _{DD} | supply | supply voltage |
| 46 | OSCCLK | input/output | external clock input/internal oscillator output |
| 47 | V _{LCD} ^[1] | supply | LCD supply voltage |
| 48 to 53 | S0/GP0 to S5/GP5 | output | LCD segment/GPO (PWM) output |
| 54 to 56 | S6 to S8 | output | LCD segment |

Pin layout depending on backplane swap configuration^[2]

| | BPS = 0 | BPS = 1 ^[3] | | |
|----|---------|------------------------|--------|---------------------------|
| 12 | BP0 | S32 | output | LCD backplane/LCD segment |
| 13 | BP1 | S33 | | |
| 14 | BP2 | S34 | | |
| 15 | BP3 | S35 | | |
| 16 | BP4/S43 | S36 | | |
| 17 | BP5/S42 | S37 | | |
| 18 | BP6/S41 | S38 | | |
| 19 | BP7/S40 | S39 | | |
| 32 | S32 | BP7/S40 | | |
| 33 | S33 | BP6/S41 | | |
| 34 | S34 | BP5/S42 | | |
| 35 | S35 | BP4/S43 | | |
| 36 | S36 | BP3 | | |
| 37 | S37 | BP2 | | |
| 38 | S38 | BP1 | | |
| 39 | S39 | BP0 | | |

Pin layout depending on product and bus type

| | PCF8536AT | PCF8536BT | | |
|----|-----------|------------------------|--------------|--|
| 40 | A0 | | input | I ² C-bus slave address selection |
| | | $\overline{\text{CE}}$ | input | SPI-bus chip enable - active LOW |
| 41 | SCL | | input | I ² C-bus serial clock |
| | | SCL | input | SPI-bus serial clock |
| 42 | SDA | | input/output | I ² C-bus serial data |
| | | SDI | input | SPI-bus data input |

[1] V_{LCD} must be equal to or greater than V_{DD}.

[2] Effect of backplane swapping is illustrated in [Figure 5 on page 10](#).

[3] Bit BPS is explained in [Section 8.1.4 on page 9](#).

8. Functional description

The PCF8536 is a versatile peripheral device designed to interface any microcontroller to a wide variety of LCDs and 6 backlight LEDs. It can directly drive any multiplexed LCD containing up to eight backplanes and up to 44 segments.

8.1 Commands of PCF8536

The PCF8536 is controlled by 15 commands, which are defined in [Table 4](#). Any other combinations of operation code bits that are not mentioned in this document may lead to undesired operation modes of PCF8536.

Table 4. Commands of PCF8536

| Command name | Register selection RS[1:0] ^[1] | | Bits | | | | | | | | Reference |
|-----------------------|--|---|--------|--------|---------|---------|-----------|---------|-----------|------|--------------------------------|
| | | | 7 | 6 | 5 | 4 | 3 | 2 | 1 | 0 | |
| initialize | 0 | 0 | 0 | 0 | 0 | 1 | 0 | 1 | 1 | 0 | Section 8.1.1 |
| OTP-refresh | 0 | 0 | 1 | 1 | 1 | 1 | 0 | 0 | 0 | 0 | Section 8.1.2 |
| PWM-inversion | 0 | 0 | 0 | 0 | 0 | 1 | 0 | 1 | 0 | PWMI | Section 8.1.3 |
| mode-settings | 0 | 0 | 0 | 1 | 0 | 1 | BPS | INV | PD | E | Section 8.1.4 |
| oscillator-control | 0 | 0 | 0 | 0 | 0 | 1 | 1 | EFR | COE | OSC | Section 8.1.5 |
| GPO-output-config | 0 | 0 | 1 | 1 | 0 | 0 | GPM1[1:0] | | GPM0[1:0] | | Section 8.1.6 |
| | 0 | 0 | 1 | 1 | 0 | 1 | GPM3[1:0] | | GPM2[1:0] | | |
| | 0 | 0 | 1 | 1 | 1 | 0 | GPM5[1:0] | | GPM4[1:0] | | |
| set-MUX-mode | 0 | 0 | 0 | 0 | 0 | 0 | 0 | 0 | M[1:0] | | Section 8.1.7 |
| set-bias-mode | 0 | 0 | 0 | 0 | 0 | 0 | 0 | 1 | B[1:0] | | Section 8.1.8 |
| frame-frequency-LCD | 0 | 0 | 0 | 0 | 1 | FD[4:0] | | | | | Section 8.1.9 |
| frame-frequency-PWM | 0 | 0 | 0 | 1 | 0 | 0 | FP[3:0] | | | | Section 8.1.10 |
| GPO-static-data | 0 | 0 | 0 | 1 | 1 | 0 | 0 | GPO2 | GPO1 | GPO0 | Section 8.1.11 |
| | 0 | 0 | 0 | 1 | 1 | 0 | 1 | GPO5 | GPO4 | GPO3 | |
| load-data-pointer-LCD | 0 | 0 | 1 | 0 | DP[5:0] | | | | | | Section 8.1.12 |
| load-data-pointer-PWM | 0 | 0 | 0 | 1 | 1 | 1 | 0 | PP[2:0] | | | Section 8.1.13 |
| write-RAM-data | 0 | 1 | D[7:0] | | | | | | | | Section 8.1.14 |
| write-PWM-data | 1 | 0 | 0 | P[6:0] | | | | | | | Section 8.1.15 |

[1] Information about control byte and register selection see [Section 9.1 on page 46](#).

8.1.1 Command: initialize

This command generates a chip-wide reset. It has the same function as the $\overline{\text{RESET}}$ pin. Reset takes 1 ms to complete.

Table 5. Initialize - initialize command bit description

| Bit | Symbol | Value | Description |
|--------|--------|----------|-------------|
| 7 to 0 | - | 00010110 | fixed value |

8.1.2 Command: OTP-refresh

During production and testing of the device, each IC is calibrated to achieve the specified accuracy of the frame frequency. This calibration is performed on EPROM cells called One Time Programmable (OTP) cells. The device reads these cells every time the OTP-refresh command is sent. This instruction has to be sent after a reset has been made and before the display is enabled.

This command will be completed after a maximum of 30 ms and requires either the internal or external clock to run. If the internal oscillator is not used, then a clock must be supplied to the OSCCLK pin. If the OTP-refresh instruction is sent and no clock is present, then the request is stored until a clock is available.

Remark: It is recommended not to enter power-down mode during the OTP refresh cycle.

Table 6. OTP-refresh - OTP-refresh command bit description

| Bit | Symbol | Value | Description |
|--------|--------|----------|-------------|
| 7 to 0 | - | 11110000 | fixed value |

8.1.3 Command: PWM-inversion

It is possible to invert the output of the PWM generators. This function may be useful for counteracting EMC issues. The description of this mode can be found in [Section 8.11.2 on page 45](#).

Table 7. PWM-inversion - PWM inversion command bit description

| Bit | Symbol | Value | Description |
|--------|--------|------------------|---------------------------|
| 7 to 1 | - | 0001010 | fixed value |
| 0 | PWMI | | PWM inversion mode |
| | | 1 | PWM inversion mode on |
| | | 0 ^[1] | PWM inversion mode off |

[1] Default value.

8.1.4 Command: mode-settings

Table 8. Mode-settings - mode settings command bit description

| Bit | Symbol | Value | Description |
|--------|--------|---------------------|---|
| 7 to 4 | - | 0101 | fixed value |
| 3 | BPS | | backplane swapping |
| | | 0 ^[1] | backplane configuration 0 |
| | | 1 | backplane configuration 1 |
| 2 | INV | | set inversion mode |
| | | 0 ^{[1][2]} | Driving scheme A: LCD line inversion mode |
| | | 1 | Driving scheme B: LCD frame inversion mode |
| 1 | PD | | set power mode |
| | | 1 | power-down mode; backplane and segment outputs are connected to V _{SS} and the internal oscillator is switched off |
| | | 0 ^[1] | power-up mode |
| 0 | E | | display switch |
| | | 0 ^[1] | display disabled; backplane and segment outputs are connected to V _{SS} |
| | | 1 | display enabled |

[1] Default value.

[2] See [Section 8.1.4.2](#).

8.1.4.1 Backplane swapping

Backplane swapping can be configured with the BPS bit (see [Table 8](#)). It moves the location of the backplane and the associated segment outputs from one side of the PCF8536 to the other. Backplane swapping is sometimes desirable to aid with the routing of PCBs that do not use multiple layers.

The BPS bit has to be set to the required value before enabling the display. Failure to do so does not damage the PCF8536 or the display, however unexpected display content may appear.

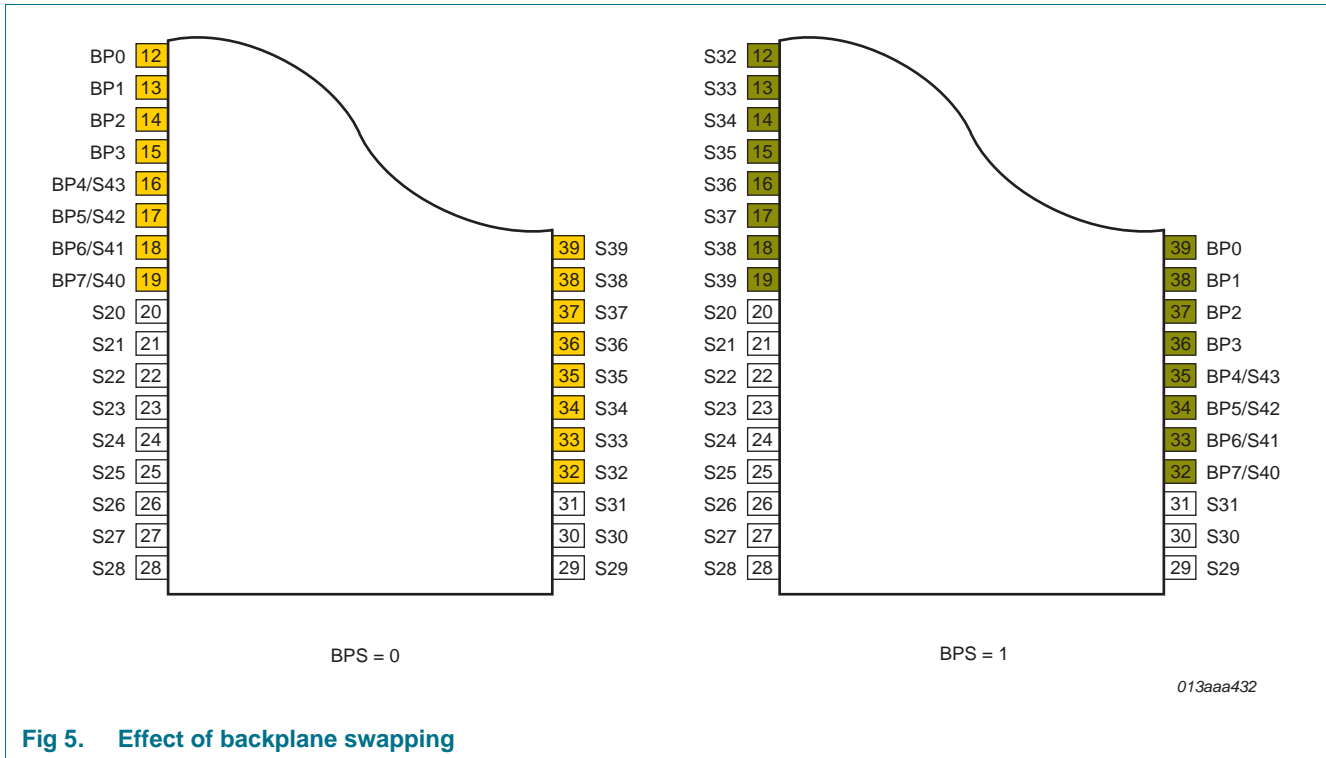


Fig 5. Effect of backplane swapping

8.1.4.2 Line inversion (driving scheme A) and frame inversion (driving scheme B)

The DC offset of the voltage across the LCD is compensated over a certain period: line-wise in line inversion mode (driving scheme A) or frame-wise in frame inversion mode (driving scheme B). With the INV bit (see Table 8), the compensation mode can be switched.

In frame inversion mode, the DC value is compensated across two frames and not within one frame. Changing the inversion mode to frame inversion reduces the power consumption; therefore it is useful when power consumption is a key point in the application.

Frame inversion may not be suitable for all applications. The RMS voltage across a segment is better defined; however, since the switching frequency is reduced, there is possibility for flicker to occur.

The waveforms of Figure 15 on page 29 to Figure 18 on page 32 are showing line inversion mode. Figure 19 on page 33 shows an example of frame inversion.

8.1.4.3 Power-down mode

The power-down bit (PD) allows the PCF8536 to be put in a minimum power configuration. In order to avoid display artefacts, it is recommended to enter power-down only after the display has been switched off by setting bit E to logic 0.

During power-down, the internal oscillator is switched off and any selected PWM output is revert to the static value stored in bits GPO0 to GPO5. These bits may be programmed to give a static logic 0 or static logic 1 on selected GP0 to GP5 pins.

Table 9. Effect of the power-down bit (PD)

| Effect on function | Mode settings | Effect of setting PD | |
|---------------------|------------------|---|--|
| | | 0 | 1 |
| backplane output | E = 1 | normal function | V _{SS} |
| segment output | E = 1 | normal function | V _{SS} |
| internal oscillator | OSC = 0, COE = 1 | on | off |
| OSCCLK pin | OSC = 0, COE = 1 | output of internal oscillator frequency | V _{DD} |
| OSCCLK pin | OSC = 1 | input clock | clock input, can be logic 0, logic 1, or left floating |
| GPO | static drive | static drive | static drive |
| GPO | PWM drive | PWM drive | static drive |

With the following sequence, the PCF8536 can be set to a state of minimum power consumption, called power-down mode.

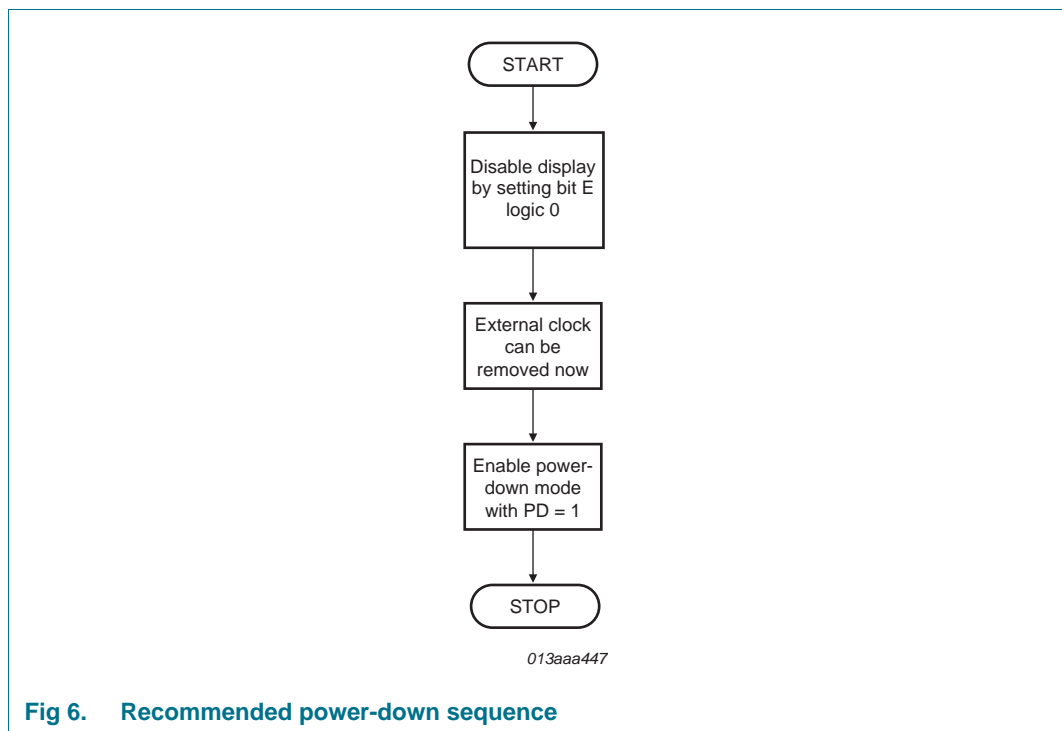


Fig 6. Recommended power-down sequence

Remarks:

- It is necessary to run the power-down sequence before removing the supplies. Depending on the application, care must be taken that no other signals are present at the chip input or output pins when removing the supplies (see [Section 10](#)). Otherwise it may cause unwanted display artifacts. In case of an uncontrolled removal of supply voltages, the PCF8536 will not be damaged.
- Static voltages across the liquid crystal display can build up when the external LCD supply voltage (V_{LCD}) is on while the IC supply voltage is off, or vice versa. This may cause unwanted display artifacts. To avoid such artifacts, V_{LCD} and V_{DD} must be applied or removed together.

- A clock signal must always be supplied to the device when the display is active. Removing the clock may freeze the LCD in a DC state, which is not suitable for the liquid crystal. It is recommended to disable the display first and afterwards to remove the clock signal.

8.1.4.4 Display enable

The display enable bit (E) is used to enable and disable the display. When the display is disabled, all LCD outputs go to V_{SS} . This function is implemented to ensure that no voltage can be induced on the LCD outputs as it may lead to unwanted displays of segments.

Recommended start-up sequences are found in [Section 8.2.3](#)

Remarks:

- The state of display enable has no effect on the GPO outputs.
- Display enable is not synchronized to an LCD frame boundary. Therefore using this function to flash a display for prolonged periods is not recommended due to the possible build-up of DC voltages on the display.

8.1.5 Command: oscillator-control

The oscillator-control command switches between internal and external oscillator and enables or disables the pin OSCCLK. It is also used to define what the external frequency will be.

Table 10. Oscillator-control - oscillator control command bit description

| Bit | Symbol | Value | Description |
|--------|--------|------------------|--|
| 7 to 3 | - | 00011 | fixed value |
| 2 | EFR | | external clock frequency applied on pin OSCCLK |
| | | 0 ^[1] | 9.6 kHz |
| | | 1 | 230 kHz |
| 1 | COE | | clock output enable for pin OSCCLK |
| | | 0 ^[1] | clock signal not available on pin OSCCLK; pin OSCCLK is in 3-state |
| | | 1 | clock signal available on pin OSCCLK |
| 0 | OSC | | oscillator source |
| | | 0 ^[1] | internal oscillator running |
| | | 1 | external oscillator used; pin OSCCLK becomes an input; used in combination with EFR to determine input frequency |

[1] Default value.

The bits OSC, COE, and EFR control the source and frequency of the clock used to generate the LCD and PWM signals (see [Figure 7](#)). Valid combinations are shown in [Table 11](#).

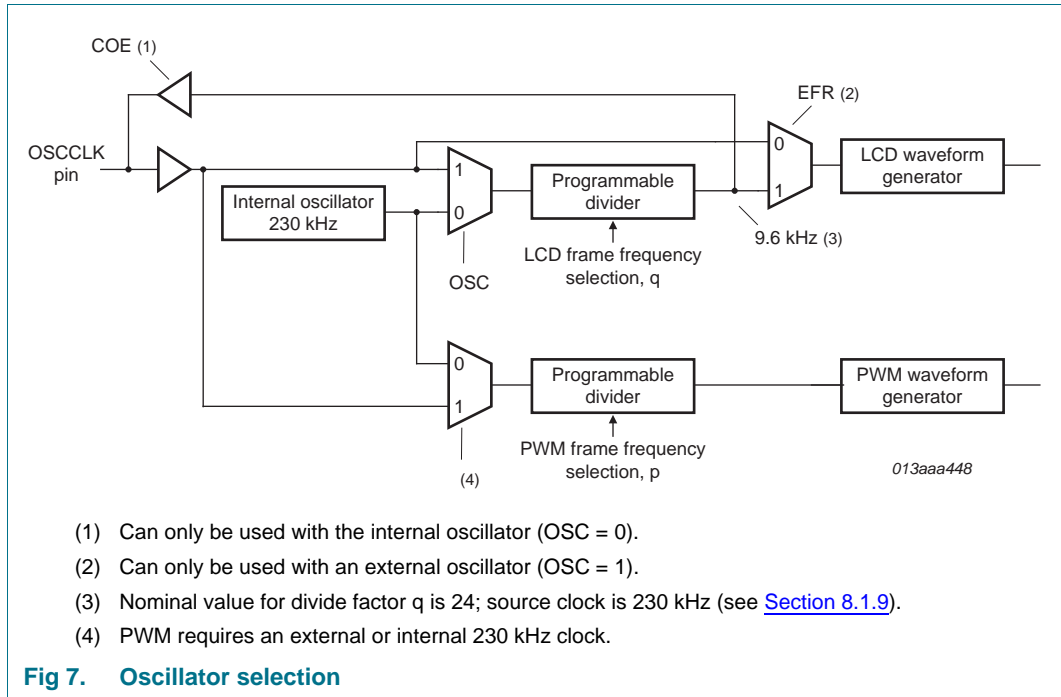


Table 11. Valid combinations of bits OSC, EFR, and COE

| OSC | COE | EFR | OSCCLK pin | Clock source |
|-----|----------|----------|---|--------------------------|
| 0 | 0 | not used | inactive; may be left floating | internal oscillator used |
| 0 | 1 | not used | output of internal oscillator frequency (prescaler) | internal oscillator used |
| 1 | not used | 0 | 9.6 kHz input | OSCCLK pin |
| 1 | not used | 1 | 230 kHz input | OSCCLK pin |

Table 12. Typical use of bits OSC, EFR, and COE

| Usage | OSC | COE | EFR |
|---|-----|----------|----------|
| LCD and/or PWM with internal oscillator | 0 | 0 | not used |
| LCD and PWM with external oscillator | 1 | not used | 1 |
| LCD with external oscillator | 1 | not used | 0 |

8.1.5.1 Oscillator

The internal logic and LCD drive signals of the PCF8536 are timed either by the built-in oscillator or from an external clock.

Internal clock: When the internal oscillator is used, all LCD and PWM signals are generated from it. The oscillator runs at nominal 230 kHz. The relationship between this frequency and the LCD frame frequency is detailed in [Section 8.1.9](#). The relationship between this frequency and the PWM frame frequency is detailed in [Section 8.1.10](#).

Control over the internal oscillator is made with the OSC bit (see [Section 8.1.5](#)). The internal oscillator is also switched on or off under certain combinations of modes which are described in [Table 13](#).

Table 13. Internal oscillator on/off table

| PD | OSC | PWM | EFR | Internal oscillator state ^[1] |
|------------|---------------------|---------------------|---------|--|
| power-down | n.a. | n.a. | n.a. | off |
| power-up | internal oscillator | n.a. | n.a. | on |
| | | external oscillator | off | n.a. |
| | | on | 9.6 kHz | on ^[2] |
| | | on | 230 kHz | off |

[1] When $\overline{\text{RESET}}$ is active, the internal oscillator is off.

[2] Special case. The PWM generator needs 230 kHz and must be enabled when PWM is enabled.

It is possible to make the internal oscillator signal available on pin OSCCLK by using the oscillator-control command (see [Table 10](#)) and configuring the clock output enable (COE) bit. If not required, the pin OSCCLK should be left open or connected to V_{SS} . At power-on the signal at pin OSCCLK is disabled and pin OSCCLK is in 3-state.

Clock output is only valid when using the internal oscillator. The signal will appear on the OSCCLK pin.

An intermediate clock frequency is available at the OSCCLK pin. The duty cycle of this clock varies with the chosen divide ratio.

Table 14. OSCCLK table

| PD | OSC | COE | EFR | OSCCLK pin ^[1] |
|------------|---------------------|------|---------|-------------------------------|
| power-down | n.a. | off | n.a. | 3-state ^[2] |
| power-down | n.a. | on | n.a. | V_{DD} |
| power-up | internal oscillator | off | n.a. | 3-state |
| | | on | n.a. | 9.6 kHz output ^[3] |
| | external oscillator | n.a. | 9.6 kHz | 9.6 kHz input |
| | | | 230 kHz | 230 kHz input |

[1] When $\overline{\text{RESET}}$ is active, the pin OSCCLK is in 3-state.

[2] In this state, an external clock may be applied, but it is not a requirement.

[3] 9.6 kHz is the nominal frequency with $q = 24$, see [Table 15](#).

External clock: In applications where an external clock must be applied to the PCF8536, bit OSC (see [Table 10](#)) has to be set logic 1. In this case pin OSCCLK becomes an input.

The OSCCLK signal must switch between the V_{SS} and the V_{DD} voltage supplied to the chip.

The system is designed for a 230 kHz clock or alternatively for using a 9.6 kHz clock. The EFR bit determines the external clock frequency. The clock frequency ($f_{\text{clk(Ext)}}$) in turn determines the LCD frame frequency, see [Table 15](#).

The PWM generator requires a 230 kHz clock to operate. If PWM is enabled and an external clock of 9.6 kHz is selected, then the internal oscillator will automatically start and be used for the PWM signal generation.

Remark: If an external clock is used, then this clock signal must always be supplied to the device when the display is on. Removing the clock may freeze the LCD in a DC state which will damage the LCD material.

8.1.5.2 Timing and frame frequency

The timing of the PCF8536 organizes the internal data flow of the device. This includes the transfer of display data from the display RAM to the display segment outputs. The timing also generates the LCD frame frequency which it derives as an integer division of the clock frequency (see [Table 15](#)). The frame frequency is a fixed division of the internal clock or of the frequency applied to pin OSCCLK when an external clock is used.

Table 15. LCD frame frequencies

| Frame frequency | Typical external frequency (Hz) | Nominal frame frequency (Hz) | EFR bit | Value of q ^[1] |
|---|---------------------------------|------------------------------|---------|---------------------------|
| $f_{fr(LCD)} = \frac{f_{clk(ext)}}{48}$ | 9600 | 200 | 0 | - |
| $f_{fr(LCD)} = \frac{f_{clk(ext)}}{48 \cdot q}$ | 230000 | 200 | 1 | 24 |

[1] Other values of the frame frequency prescaler see [Table 21](#).

When the internal clock is used, or an external clock with EFR = 1, the LCD frame frequency can be programmed by software in steps of approximately 10 Hz in the range of 60 Hz to 300 Hz (see [Table 21](#)). Furthermore the internal oscillator is factory calibrated, see [Table 44 on page 59](#).

8.1.6 Command: GPO-output-config

The behavior of the combined LCD and GPO outputs S5/GP5 to S0/GP0 is configured with the bits described in [Table 16](#).

Table 16. GPO-output-config - output mode config command for S5/GP5 to S0/GP0

| Bit | Symbol | Value | Description |
|----------------------|-----------|------------------------------|------------------------|
| GPM0 and GPM1 | | | |
| 7 to 4 | - | 1100 | fixed value |
| 3 to 2 | GPM1[1:0] | see Table 17 | output mode for S1/GP1 |
| 1 to 0 | GPM0[1:0] | see Table 17 | output mode for S0/GP0 |
| GPM2 and GPM3 | | | |
| 7 to 4 | - | 1101 | fixed value |
| 3 to 2 | GPM3[1:0] | see Table 17 | output mode for S3/GP3 |
| 1 to 0 | GPM2[1:0] | see Table 17 | output mode for S2/GP2 |
| GPM4 and GPM5 | | | |
| 7 to 4 | - | 1110 | fixed value |
| 3 to 2 | GPM5[1:0] | see Table 17 | output mode for S5/GP5 |
| 1 to 0 | GPM4[1:0] | see Table 17 | output mode for S4/GP4 |

Each output can be individually configured to be either an LCD segment output, a PWM output or a static general-purpose output (GPO), see [Table 17](#).

Remark: Even if using GPO only, V_{LCD} must still be applied to the device.

Table 17. GPMO mode definition

| GPM0[1:0] to GPM5[1:0] | Mode | Description |
|------------------------|--------|--------------------------|
| 00 ^[1] , 01 | LCD | output is an LCD segment |
| 10 | static | output is static GPO |
| 11 | PWM | output is PWM GPO |

[1] Default value.

8.1.7 Command: set-MUX-mode

The multiplex drive mode is configured with the bits described in [Table 18](#).

Table 18. Set-MUX-mode - set multiplex drive mode command bit description

| Bit | Symbol | Value | Description |
|--------|--------|------------------------|--|
| 7 to 2 | - | 000000 | fixed value |
| 1 to 0 | M[1:0] | 00 ^[1] , 01 | 1:8 multiplex drive mode; eight backplanes |
| | | 10 | 1:6 multiplex drive mode; 6 backplanes |
| | | 11 | 1:4 multiplex drive mode; 4 backplanes |

[1] Default value.

8.1.8 Command: set-bias-mode

The set-bias-mode command allows setting the bias level.

Table 19. Set-bias-mode - set bias mode command bit description

| Bit | Symbol | Value | Description |
|--------|--------|------------------------|-------------|
| 7 to 2 | - | 000001 | fixed value |
| 1 to 0 | B[1:0] | 00 ^[1] , 01 | 1/4 bias |
| | | 11 | 1/3 bias |
| | | 10 | 1/2 bias |

[1] Default value.

8.1.9 Command: frame-frequency-LCD

With the frame-frequency-LCD command, the frame frequency for the display can be configured. The clock frequency determines the frame frequency.

Table 20. Frame-frequency-LCD - frame frequency and output clock frequency command bit description

| Bit | Symbol | Value | Description |
|--------|---------|------------------------------|---------------------|
| 7 to 5 | - | 001 | fixed value |
| 4 to 0 | FD[4:0] | see Table 21 | frequency prescaler |

The system is designed for a 230 kHz clock. It is either internally generated or externally provided. Alternatively a 9.6 kHz clock signal can be provided as well. The EFR bit (see [Table 10](#)) has to be set according to the external clock frequency.

When EFR is set to 9.6 kHz, then the LCD frame frequency is calculated with [Equation 1](#):

$$f_{fr(LCD)} = \frac{f_{clk(ext)}}{48} \quad (1)$$

When EFR is set to 230 kHz, then the LCD frame frequency is calculated with [Equation 2](#):

$$f_{fr(LCD)} = \frac{f_{clk(ext)}}{48 \cdot q} \quad (2)$$

where q is the frequency divide factor (see [Table 21](#)).

Remark: $f_{clk(ext)}$ is the external input clock frequency to pin OSCCLK.

When the internal oscillator is used, the intermediate frequency may be output on the OSCCLK pin. Its frequency is given in [Table 21](#).

Table 21. Frame frequency prescaler values for 230 kHz clock operation

| FD[4:0] | Nominal LCD frame frequency (Hz) ^[1] | Divide factor, q | Intermediate clock frequency (Hz) |
|----------------------|---|------------------|-----------------------------------|
| 00000 | 59.9 | 80 | 2875 |
| 00001 | 70.5 | 68 | 3382 |
| 00010 | 79.9 | 60 | 3833 |
| 00011 | 90.4 | 53 | 4340 |
| 00100 | 99.8 | 48 | 4792 |
| 00101 | 108.9 | 44 | 5227 |
| 00110 | 119.8 | 40 | 5750 |
| 00111 | 129.5 | 37 | 6216 |
| 01000 | 140.9 | 34 | 6765 |
| 01001 | 149.7 | 32 | 7188 |
| 01010 | 159.7 | 30 | 7667 |
| 01011 | 171.1 | 28 | 8214 |
| 01100 | 177.5 | 27 | 8519 |
| 01101 | 191.7 | 25 | 9200 |
| 01110 ^[2] | 199.7 | 24 | 9583 |
| 01111 | 208.3 | 23 | 10000 |
| 10000 | 217.8 | 22 | 10455 |
| 10001 | 228.3 | 21 | 10952 |
| 10010 | 239.6 | 20 | 11500 |
| 10011 | 252.2 | 19 | 12105 |
| 10100 | 266.2 | 18 | 12778 |
| 10101 | 281.9 | 17 | 13529 |
| 10110 | 299.5 | 16 | 14375 |
| 10111 to 11111 | not used | | |

[1] Nominal frame frequency calculated for the default clock frequency of 230 kHz.

[2] Default value.

8.1.10 Command: frame-frequency-PWM

With the frame-frequency-PWM command, the frame frequency for the PWM signal can be set.

The PWM system requires a clock of 230 kHz either internally generated or externally supplied. Using a slower clock may result in visible flickering of LEDs driven with the PWM signal.

When EFR is set to 230 kHz, then the PWM frame frequency will be calculated with [Equation 3](#):

$$f_{PWM} = \frac{f_{clk(ext)}}{128 \cdot p} \tag{3}$$

where p is the frequency divide factor (see [Table 23](#)).

Table 22. Frame-frequency-PWM - PWM frame frequency command bit description

| Bit | Symbol | Value | Description |
|--------|---------|------------------------------|---------------------|
| 7 to 4 | - | 0100 | fixed value |
| 3 to 0 | FP[3:0] | see Table 23 | frequency prescaler |

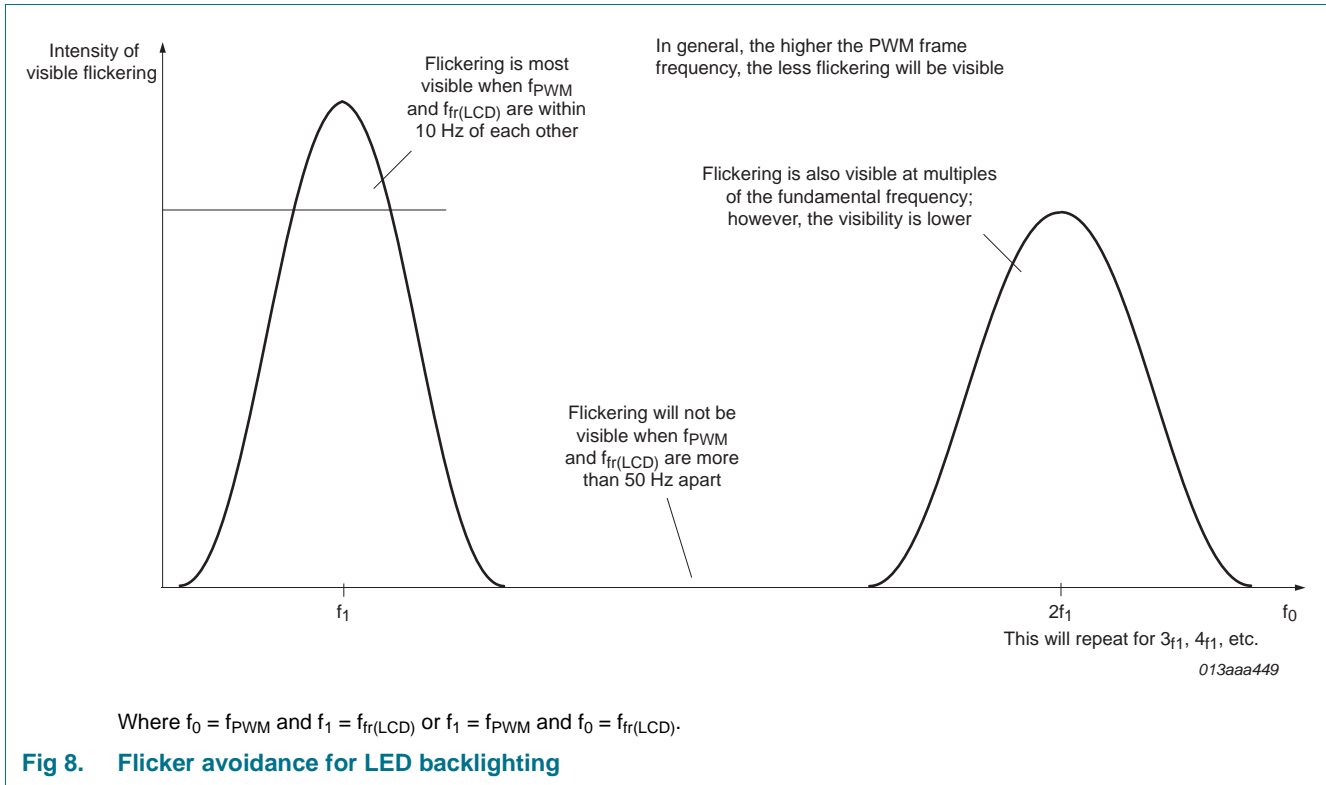
Table 23. PWM frame frequency prescaler values for 230 kHz clock operation

| FP[3:0] | Nominal PWM frame frequency (Hz) ^[1] | Divide factor, p |
|---------------------|---|------------------|
| 0000 | 59.9 | 30 |
| 0001 | 69.1 | 26 |
| 0010 | 81.7 | 22 |
| 0011 | 89.8 | 20 |
| 0100 | 99.8 | 18 |
| 0101 | 112.3 | 16 |
| 0110 | 119.8 | 15 |
| 0111 ^[2] | 128.3 | 14 |
| 1000 | 138.2 | 13 |
| 1001 | 149.7 | 12 |
| 1010 | 163.4 | 11 |
| 1011 | 179.7 | 10 |
| 1100 | 199.7 | 9 |
| 1101 | 224.6 | 8 |
| 1110 | 256.7 | 7 |
| 1111 | 299.5 | 6 |

[1] Nominal frame frequency calculated for the default clock frequency of 230 kHz.

[2] Default value.

In order to avoid flickering caused by the interaction of the backlight LED and the LCD frame frequency, the PWM frame frequency should be programmed to be more than 50 Hz different from LCD frame frequency or multiples of the LCD frame frequency (see [Figure 8](#) and [Table 49 on page 68](#)).



8.1.11 Command: GPO-static-data

When static GPOs are selected instead of PWM, then the value for the output is taken from these register bits. The output is a static level.

Table 24. GPO-static-data - write GPO data for GP0 to GP5 command bit description

| Bit | Symbol | Value | Description |
|---------------------|--------|------------------|---------------------------|
| GPO0 to GPO2 | | | |
| 7 to 3 | - | 01100 | fixed value |
| 2 | GPO2 | 0 ^[1] | 0 level output on pin GP2 |
| | | 1 | 1 level output on pin GP2 |
| 1 | GPO1 | 0 ^[1] | 0 level output on pin GP1 |
| | | 1 | 1 level output on pin GP1 |
| 0 | GPO0 | 0 ^[1] | 0 level output on pin GP0 |
| | | 1 | 1 level output on pin GP0 |
| GPO3 to GPO5 | | | |
| 7 to 3 | - | 01101 | fixed value |
| 2 | GPO5 | 0 ^[1] | 0 level output on pin GP5 |
| | | 1 | 1 level output on pin GP5 |
| 1 | GPO4 | 0 ^[1] | 0 level output on pin GP4 |
| | | 1 | 1 level output on pin GP4 |
| 0 | GPO3 | 0 ^[1] | 0 level output on pin GP3 |
| | | 1 | 1 level output on pin GP3 |

[1] Default value.

8.1.12 Command: load-data-pointer-LCD

The load-data-pointer-LCD command defines the start address of the display RAM. The data pointer is auto incremented after each RAM write. The size of the display RAM is dependent on the current multiplex drive mode setting, see [Table 25](#).

Table 25. Load-data-pointer-LCD - load data pointer command bit description

| Bit | Symbol | Value | Description |
|---------------------------------|---------|---------------------------------|-------------------------------|
| 7 to 6 | - | 10 | fixed value |
| Multiplex drive mode 1:8 | | | |
| 5 to 0 | DP[5:0] | 000000 ^[1] to 100111 | 6-bit binary value of 0 to 39 |
| Multiplex drive mode 1:6 | | | |
| 5 to 0 | DP[5:0] | 000000 ^[1] to 101001 | 6-bit binary value of 0 to 41 |
| Multiplex drive mode 1:4 | | | |
| 5 to 0 | DP[5:0] | 000000 ^[1] to 101011 | 6-bit binary value of 0 to 43 |

[1] Default value.

Remark: Data pointer values outside of the valid range will be ignored and no RAM content will be transferred until a valid data pointer value is set.

Filling of the display RAM is described in [Section 8.9](#).

8.1.13 Command: load-data-pointer-PWM

The load-data-pointer-PWM command defines one of the 6 PWM addresses.

Table 26. Load-data-pointer-PWM - load data pointer command bit description

| Bit | Symbol | Value | Description |
|--------|---------|---------------------------|------------------------------|
| 7 to 3 | - | 01110 | fixed value |
| 2 to 0 | PP[2:0] | 000 ^[1] to 101 | 3-bit binary value of 0 to 5 |

[1] Default value.

Remark: Data pointer values outside of the valid range will be ignored and no PWM content will be transferred until a valid data pointer value is set.

8.1.14 Command: write-RAM-data

This command will initiate the transfer of data to the display RAM. Data will be written into the address defined by the load-data-pointer-LCD command. RAM filling is described in [Section 8.9](#).

Table 27. Write-RAM-data - write RAM data command bit description^[1]

| Bit | Symbol | Value | Description |
|--------|--------|-------------------------------------|-------------------------------|
| 7 to 0 | D[7:0] | 00000000 to 11111111 ^[2] | writing data byte-wise to RAM |

[1] For this command to be effective bit RS[1:0] of the control byte has to be set logic 01, see [Table 36 on page 46](#).

[2] After Power-On Reset (POR), the RAM content is random and should be brought to a defined status by writing meaningful content otherwise unexpected display content may appear.

8.1.15 Command: write-PWM-data

This command will initiate the transfer of data to the PWM registers. Data will be written into the address defined by the load-data-pointer-PWM command. PWM register filling is described in [Section 8.10](#)

Table 28. Write-PWM-data - write PWM data command bit description^[1]

| Bit | Symbol | Value | Description |
|--------|--------|-----------------------------------|---|
| 7 | - | 0 | fixed value |
| 6 to 0 | P[6:0] | 0000000 ^[2] to 1111111 | writing data byte-wise to PWM registers |

[1] For this command to be effective bit RS[1:0] of the control byte has to be set logic 10, see [Table 36 on page 46](#).

[2] Default value. After Power-On Reset (POR) the PWM content is set to 0.

8.2 Start-up and shut-down

8.2.1 Reset and Power-On Reset (POR)

After a reset and at power-on the PCF8536 resets to starting conditions as follows:

1. The display is disabled.
2. All backplane outputs are set to V_{SS} .
3. All segment outputs are set to V_{SS} .
4. All GPO outputs are disabled.
5. Selected drive mode is: 1:8 with $\frac{1}{4}$ bias.
6. The data pointers are cleared (set logic 0).
7. PWM values are all reset to zero.
8. RAM data is not initialized. Its content can be considered to be random.
9. The internal oscillator is running; no clock signal is available on pin OSCCLK; pin OSCCLK is in 3-state.

The reset state is as shown in [Table 29](#).

Table 29. Reset state

Reset state of configurable bits shown in the command table format for clarity.

| Associated command | Bits | | | | | | | |
|-----------------------|------|---|------------------|-----------------|----------------|---------------|----------------|----------|
| | 7 | 6 | 5 | 4 | 3 | 2 | 1 | 0 |
| PWM-inversion | | | | | | | | PWMI = 0 |
| mode-settings | - | - | - | - | BPS = 0 | INV = 0 | PD = 0 | E = 0 |
| oscillator-control | - | - | - | - | - | EFR = 0 | COE = 0 | OSC = 0 |
| GPO-output-config | - | - | - | - | GPM1[1:0] = 00 | | GPM0[1:0] = 00 | |
| | - | - | - | - | GPM3[1:0] = 00 | | GPM2[1:0] = 00 | |
| | - | - | - | - | GPM5[1:0] = 00 | | GPM4[1:0] = 00 | |
| set-MUX-mode | - | - | - | - | - | - | M[1:0] = 00 | |
| set-bias-mode | - | - | - | - | - | - | B[1:0] = 00 | |
| frame-frequency-LCD | - | - | - | FD[4:0] = 01110 | | | | |
| frame-frequency-PWM | - | - | - | FP[3:0] = 0111 | | | | |
| GPO-static-data | - | - | - | - | - | GPO2 = 0 | GPO1 = 0 | GPO0 = 0 |
| | - | - | - | - | - | GPO5 = 0 | GPO4 = 0 | GPO3 = 0 |
| load-data-pointer-LCD | - | - | DP[5:0] = 000000 | | | | | |
| load-data-pointer-PWM | - | - | - | - | - | PP[2:0] = 000 | | |

The first command sent to the device after the power-on event must be the initialize command (see [Section 8.1.1](#)).

After Power-On Reset (POR) and before enabling the display, the RAM content should be brought to a defined state by writing meaningful content (e.g. a graphic) otherwise unwanted display artifacts may appear on the display.

8.2.2 RESET pin function

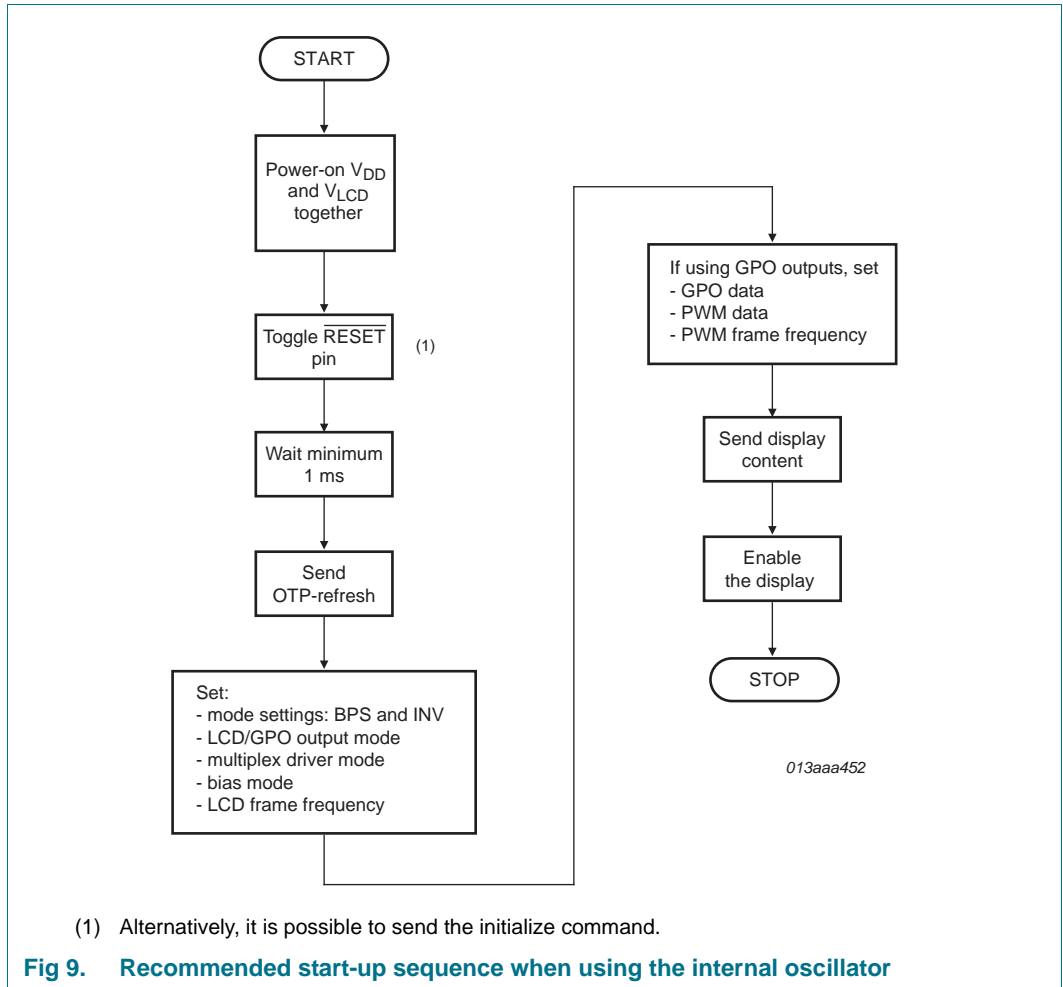
The RESET pin of the PCF8536 will reset all the registers to their default state. The reset state is given in [Table 29](#). The RAM contents will remain unchanged. After the reset signal is removed, the PCF8536 will behave in the same manner as after Power-On Reset (POR). See [Section 8.2.1](#) for details.

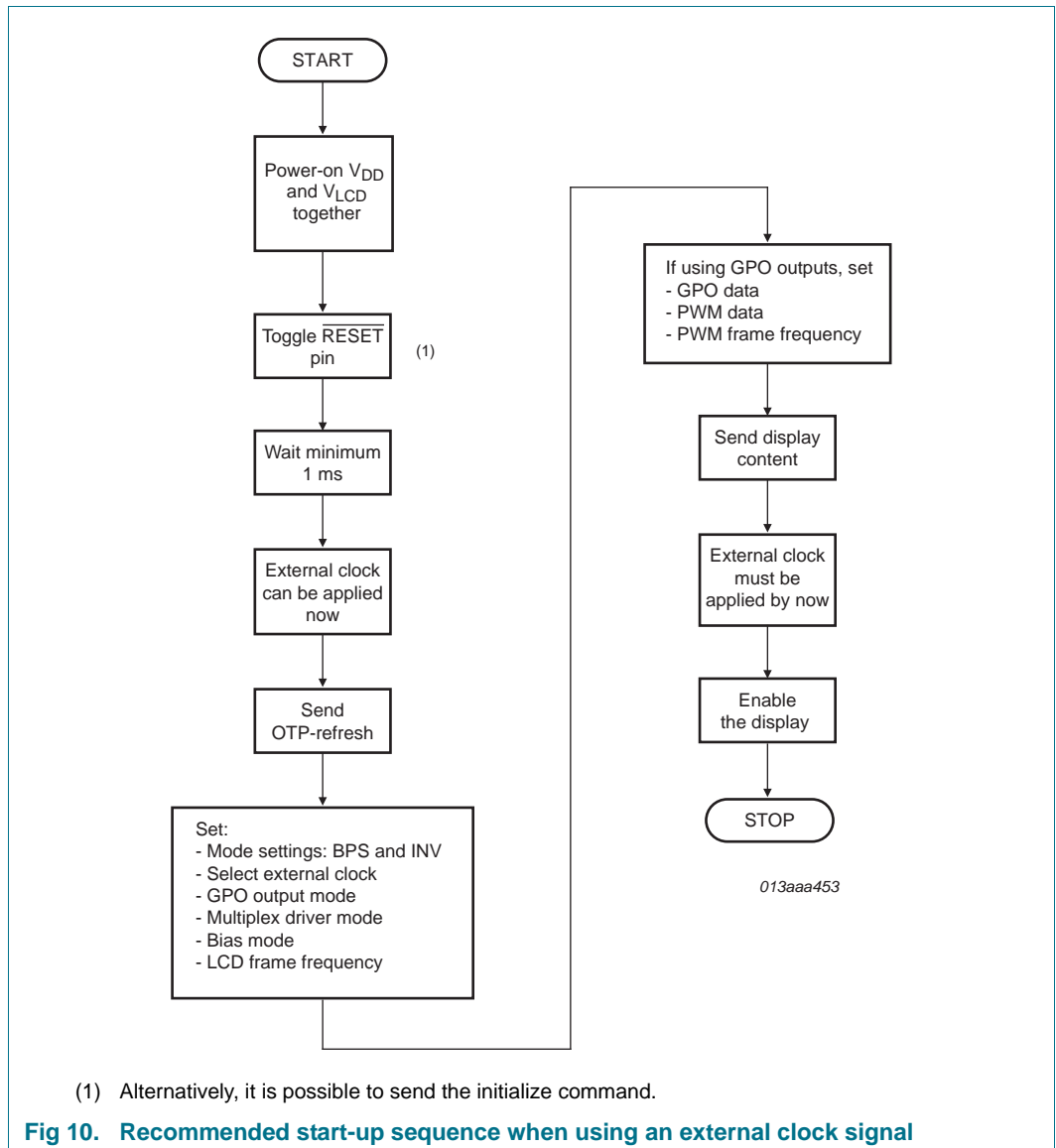
8.2.3 Recommended start-up sequences

This chapter describes how to proceed with the initialization of the chip in different application modes.

In general, the sequence should always be:

1. Power-on the device,
2. set the display and functional modes,
3. fill the display memory and then
4. turn on the display.





8.3 Possible display configurations

The PCF8536 is a versatile peripheral device designed to interface between any microcontroller to a wide variety of LCD segment or dot matrix displays (see [Figure 11](#)). It can drive multiplexed LCD with 4, 6, or 8 backplanes and up to 44 segments.

The display configurations possible with the PCF8536 depend on the number of active backplane outputs required. A selection of possible display configurations is given in [Table 30](#).

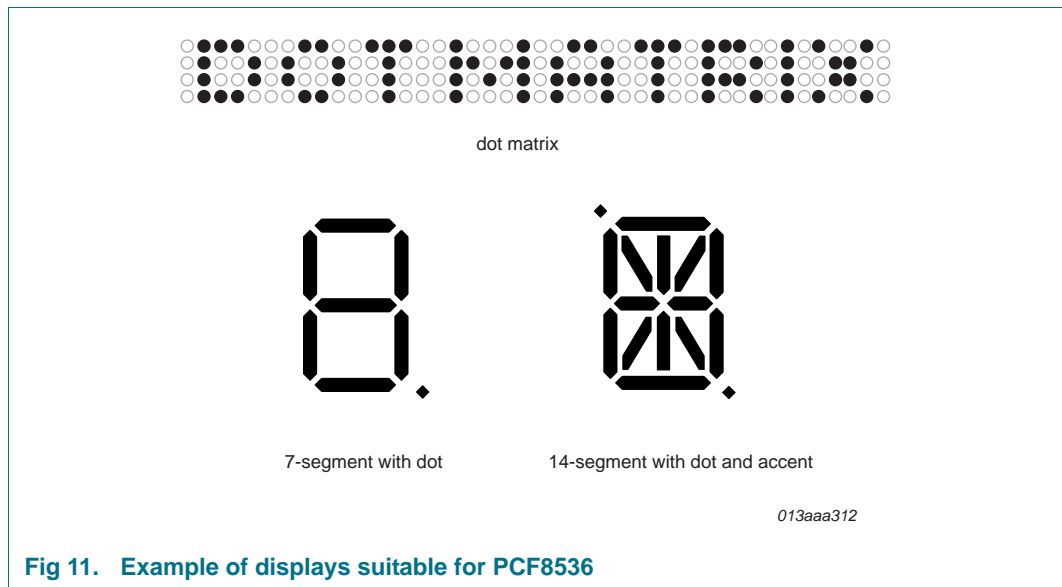


Fig 11. Example of displays suitable for PCF8536

Table 30. Selection of display configurations

| Number of | | | Digits/Characters | | Dot matrix/ Elements |
|--|----------|-------|--------------------------|---------------------------|-------------------------|
| Backplanes | Segments | Icons | 7 segment ^[1] | 14 segment ^[2] | |
| No GPO or PWM outputs enabled | | | | | |
| 8 | 40 | 320 | 40 | 20 | 320 |
| 6 | 42 | 252 | 31 | 15 | 252 |
| 4 | 44 | 176 | 22 | 11 | 176 |
| With 6 GPO or PWM outputs enabled | | | | | |
| 8 | 34 | 272 | 34 | 17 | 272 |
| 6 | 36 | 216 | 27 | 13 | 216 |
| 4 | 38 | 152 | 19 | 9 | 152 |

[1] 7 segment display has 8 elements including the decimal point.

[2] 14 segment display has 16 elements including decimal point and accent dot.

All of the display configurations in [Table 30](#) can be implemented in the typical systems shown in [Figure 12](#) and [Figure 13](#).

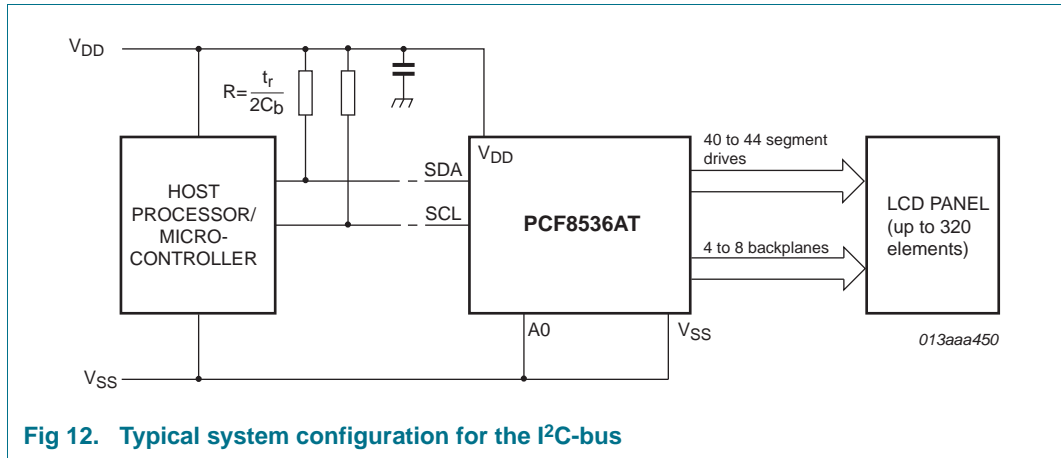


Fig 12. Typical system configuration for the I²C-bus

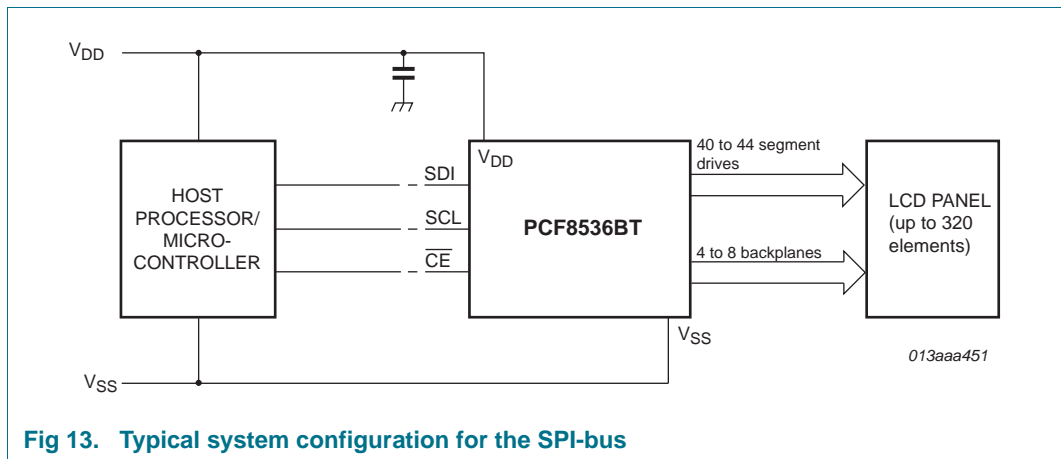


Fig 13. Typical system configuration for the SPI-bus

The host microcontroller maintains the two line I²C-bus or a three line SPI-bus communication channel with the PCF8536. The appropriate biasing voltages for the multiplexed LCD waveforms are generated internally. The only other connections required to complete the system are the power supplies (V_{DD} , V_{SS} , V_{LCD}) and the LCD panel selected for the application.

The minimum recommended values for external capacitors on V_{DD} and V_{LCD} are 100 nF respectively. Decoupling of V_{LCD} will help to reduce display artifacts. The decoupling capacitors should be placed close to the IC with short connections to the respective supply pin and V_{SS} .

8.4 LCD voltage selector

The LCD voltage selector co-ordinates the multiplexing of the LCD in accordance with the selected LCD drive configuration. The operation of the voltage selector is controlled by the set-bias-mode command (see [Table 19](#)) and the set-MUX-mode command (see [Table 18](#)).

Fractional LCD biasing voltages are obtained from an internal voltage divider. The biasing configurations that apply to the preferred modes of operation, together with the biasing characteristics as functions of V_{LCD} and the resulting discrimination ratios (D), are given in [Table 31](#).

Discrimination is a term which is defined as the ratio of the on and off RMS voltage across a segment. It can be thought of as a measurement of contrast.

Table 31. Preferred LCD drive modes: summary of characteristics

| LCD multiplex drive mode | Number of: | | LCD bias configuration | $\frac{V_{off(RMS)}}{V_{LCD}}$ | $\frac{V_{on(RMS)}}{V_{LCD}}$ | $D = \frac{V_{on(RMS)}}{V_{off(RMS)}} [1]$ | $V_{LCD} [2]$ |
|--------------------------|------------|--------|------------------------|--------------------------------|-------------------------------|--|----------------------------|
| | Backplanes | Levels | | | | | |
| 1:4 [3] | 4 | 3 | 1/2 | 0.433 | 0.661 | 1.527 | 2.309V _{off(RMS)} |
| 1:4 | 4 | 4 | 1/3 | 0.333 | 0.577 | 1.732 | 3.0V _{off(RMS)} |
| 1:4 [3] | 4 | 5 | 1/4 | 0.331 | 0.545 | 1.646 | 3.024V _{off(RMS)} |
| 1:6 [3] | 6 | 3 | 1/2 | 0.456 | 0.612 | 1.341 | 2.191V _{off(RMS)} |
| 1:6 | 6 | 4 | 1/3 | 0.333 | 0.509 | 1.527 | 3.0V _{off(RMS)} |
| 1:6 | 6 | 5 | 1/4 | 0.306 | 0.467 | 1.527 | 3.266V _{off(RMS)} |
| 1:8 [3] | 8 | 3 | 1/2 | 0.467 | 0.586 | 1.254 | 2.138V _{off(RMS)} |
| 1:8 [3] | 8 | 4 | 1/3 | 0.333 | 0.471 | 1.414 | 3.0V _{off(RMS)} |
| 1:8 | 8 | 5 | 1/4 | 0.293 | 0.424 | 1.447 | 3.411V _{off(RMS)} |

[1] Determined from Equation 6.

[2] Determined from Equation 5.

[3] In these examples, the discrimination factor and hence the contrast ratios are smaller. The advantage of these LCD drive modes is a reduction of the LCD voltage V_{LCD}.

A practical value for V_{LCD} is determined by equating V_{off(RMS)} with a defined LCD threshold voltage (V_{th(off)}), typically when the LCD exhibits approximately 10 % contrast.

Bias is calculated by $\frac{1}{1+a}$, where the values for a are

a = 1 for 1/2 bias

a = 2 for 1/3 bias

a = 3 for 1/4 bias

The RMS on-state voltage (V_{on(RMS)}) for the LCD is calculated with Equation 4

$$V_{on(RMS)} = V_{LCD} \sqrt{\frac{a^2 + 2a + n}{n \times (1 + a)^2}} \tag{4}$$

where V_{LCD} is the resultant voltage at the LCD segment and where the values for n are

n = 4 for 1:4 multiplex drive

n = 6 for 1:6 multiplex drive

n = 8 for 1:8 multiplex drive

The RMS off-state voltage (V_{off(RMS)}) for the LCD is calculated with Equation 5:

$$V_{off(RMS)} = V_{LCD} \sqrt{\frac{a^2 - 2a + n}{n \times (1 + a)^2}} \tag{5}$$

Discrimination is the ratio of V_{on(RMS)} to V_{off(RMS)} and is determined from Equation 6:

$$D = \frac{V_{on(RMS)}}{V_{off(RMS)}} = \sqrt{\frac{a^2 + 2a + n}{a^2 - 2a + n}} \tag{6}$$

It should be noted that V_{LCD} is sometimes referred to as the LCD operating voltage.

8.4.1 Electro-optical performance

Suitable values for $V_{on(RMS)}$ and $V_{off(RMS)}$ are dependent on the LCD liquid used. The RMS voltage, at which a pixel will be switched on or off, determine the transmissibility of the pixel.

For any given liquid, there are two threshold values defined. One point is at 10 % relative transmission (at $V_{th(off)}$) and the other at 90 % relative transmission (at $V_{th(on)}$), see [Figure 14](#). For a good contrast performance, the following rules should be followed:

$$V_{on(RMS)} \geq V_{th(on)} \tag{7}$$

$$V_{off(RMS)} \leq V_{th(off)} \tag{8}$$

$V_{on(RMS)}$ and $V_{off(RMS)}$ are properties of the display driver and are affected by the selection of a , n (see [Equation 4](#) to [Equation 6](#)) and the V_{LCD} voltage.

$V_{th(off)}$ and $V_{th(on)}$ are properties of the LCD liquid and can be provided by the module manufacturer. $V_{th(off)}$ is sometimes just named V_{th} . $V_{th(on)}$ is sometimes named saturation voltage V_{sat} .

It is important to match the module properties to those of the driver in order to achieve optimum performance.

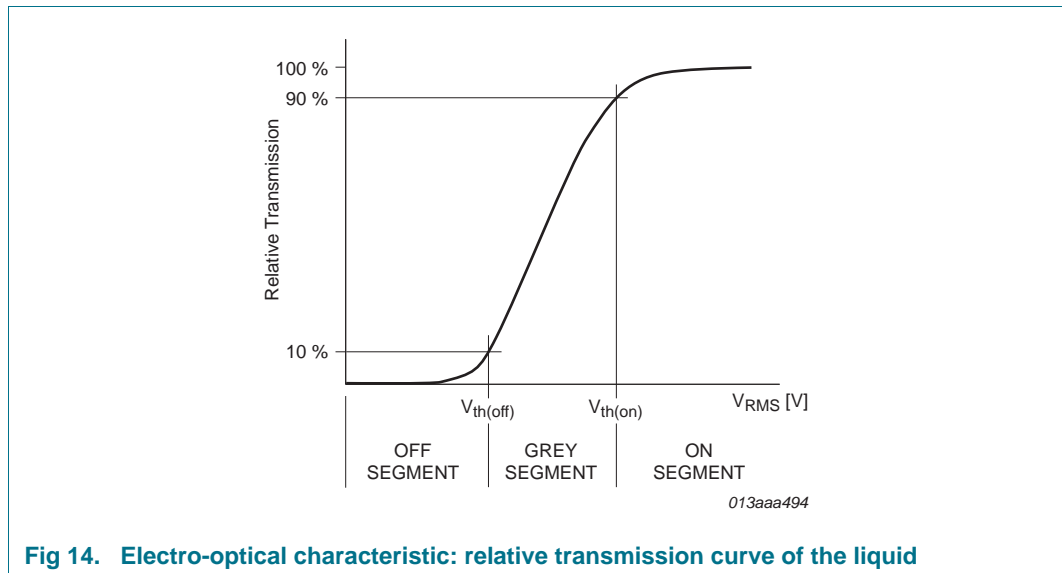
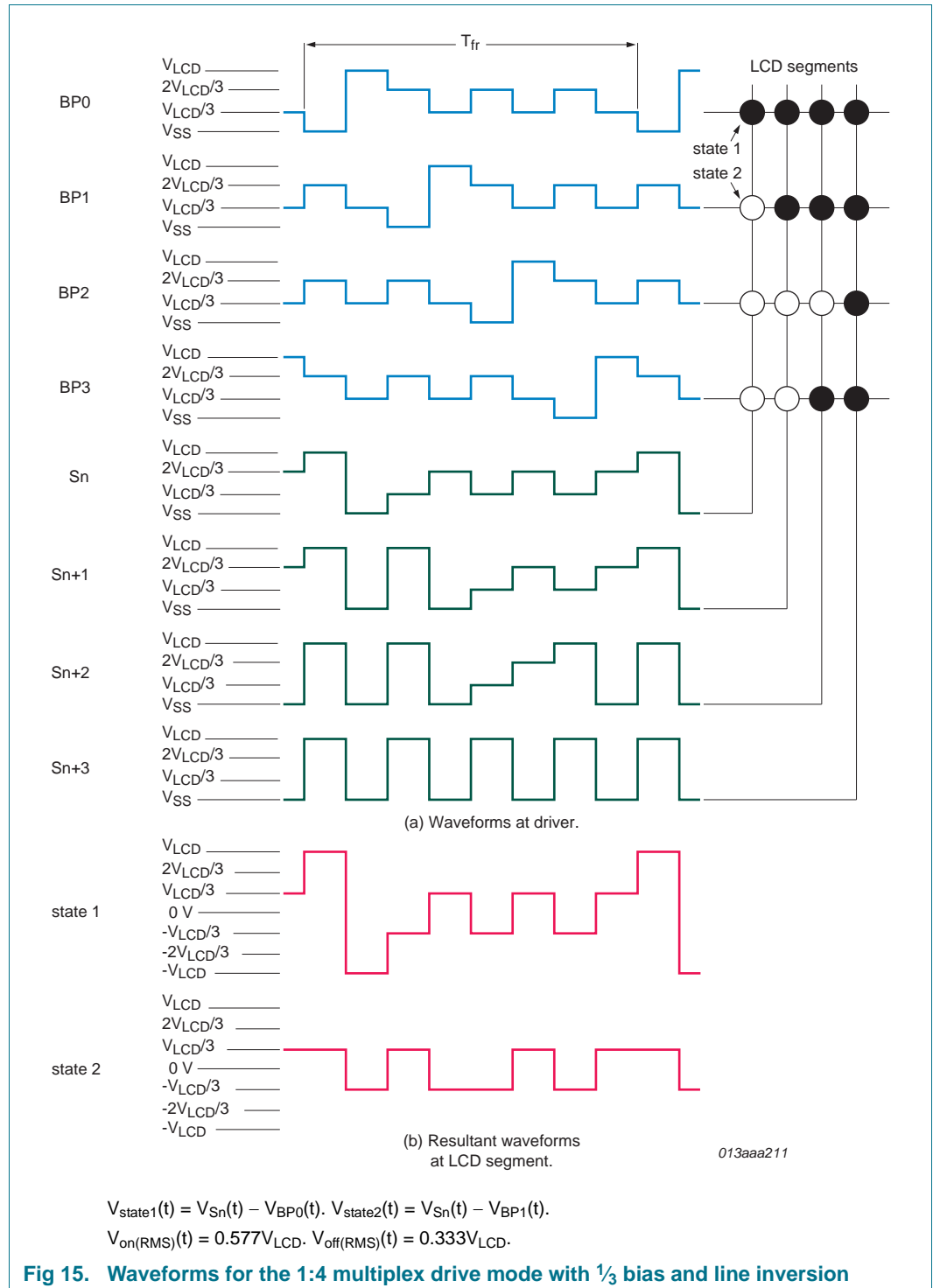


Fig 14. Electro-optical characteristic: relative transmission curve of the liquid

8.5 LCD drive mode waveforms

8.5.1 1:4 Multiplex drive mode

When four backplanes are provided in the LCD, the 1:4 multiplex drive mode applies, as shown in Figure 15. This drawing is also showing the case of line inversion (see Section 8.1.4.2).



8.5.2 1:6 Multiplex drive mode

When six backplanes are provided in the LCD, the 1:6 multiplex drive mode applies. The PCF8536 allows use of $\frac{1}{3}$ bias or $\frac{1}{4}$ bias in this mode as shown in Figure 16 and Figure 17. These waveforms are drawn for the case of line inversion (see Section 8.1.4.2).

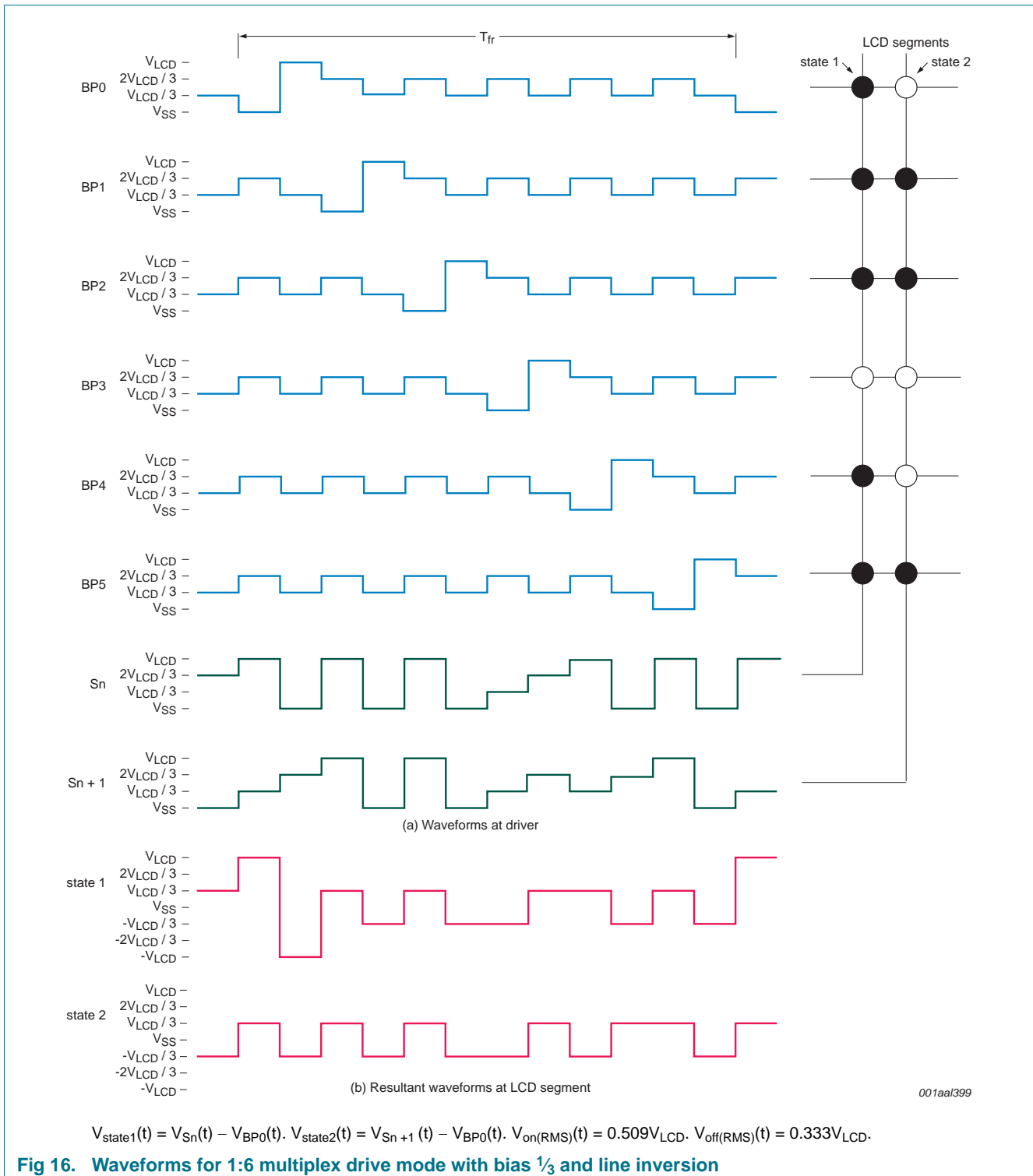
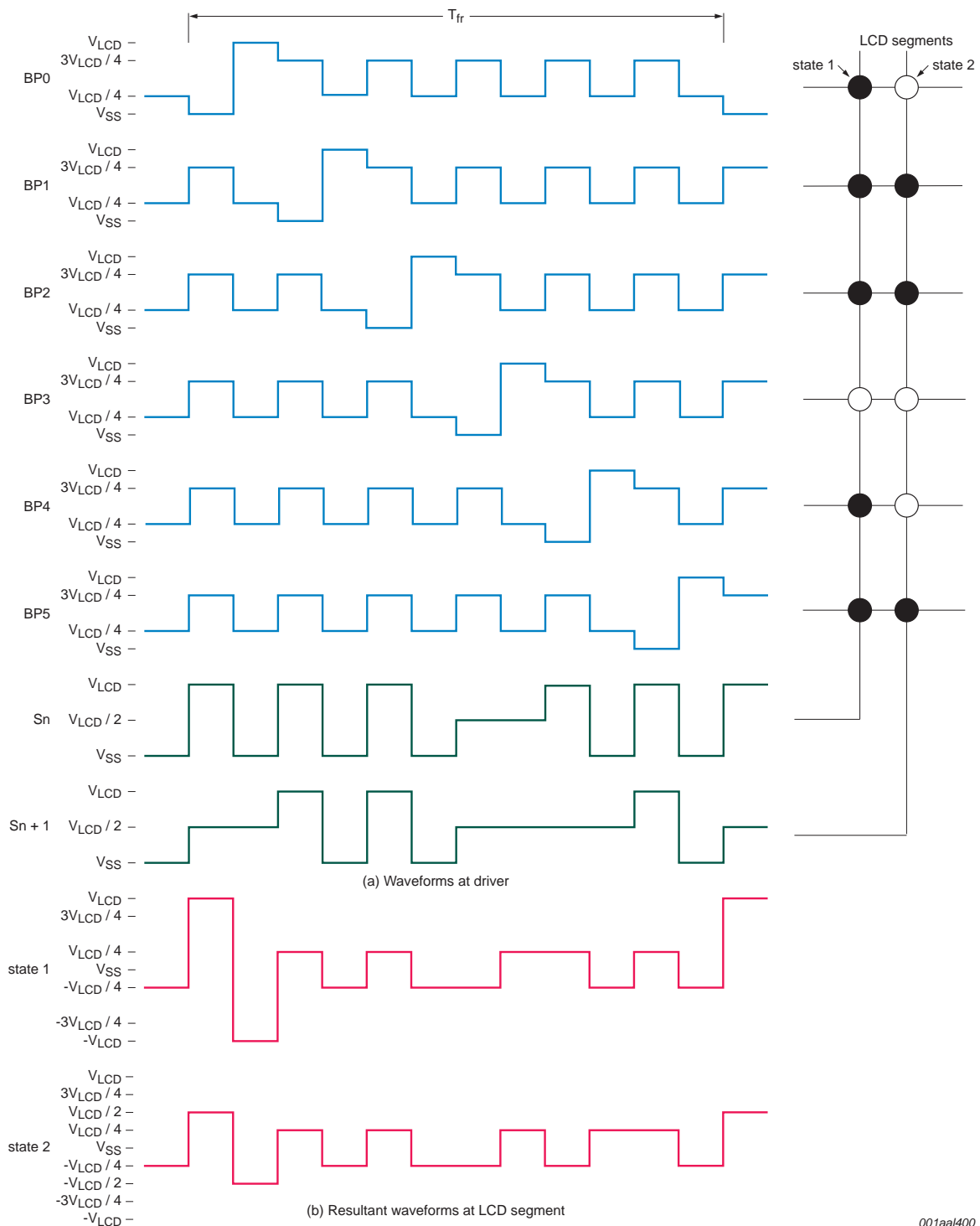


Fig 16. Waveforms for 1:6 multiplex drive mode with bias $\frac{1}{3}$ and line inversion

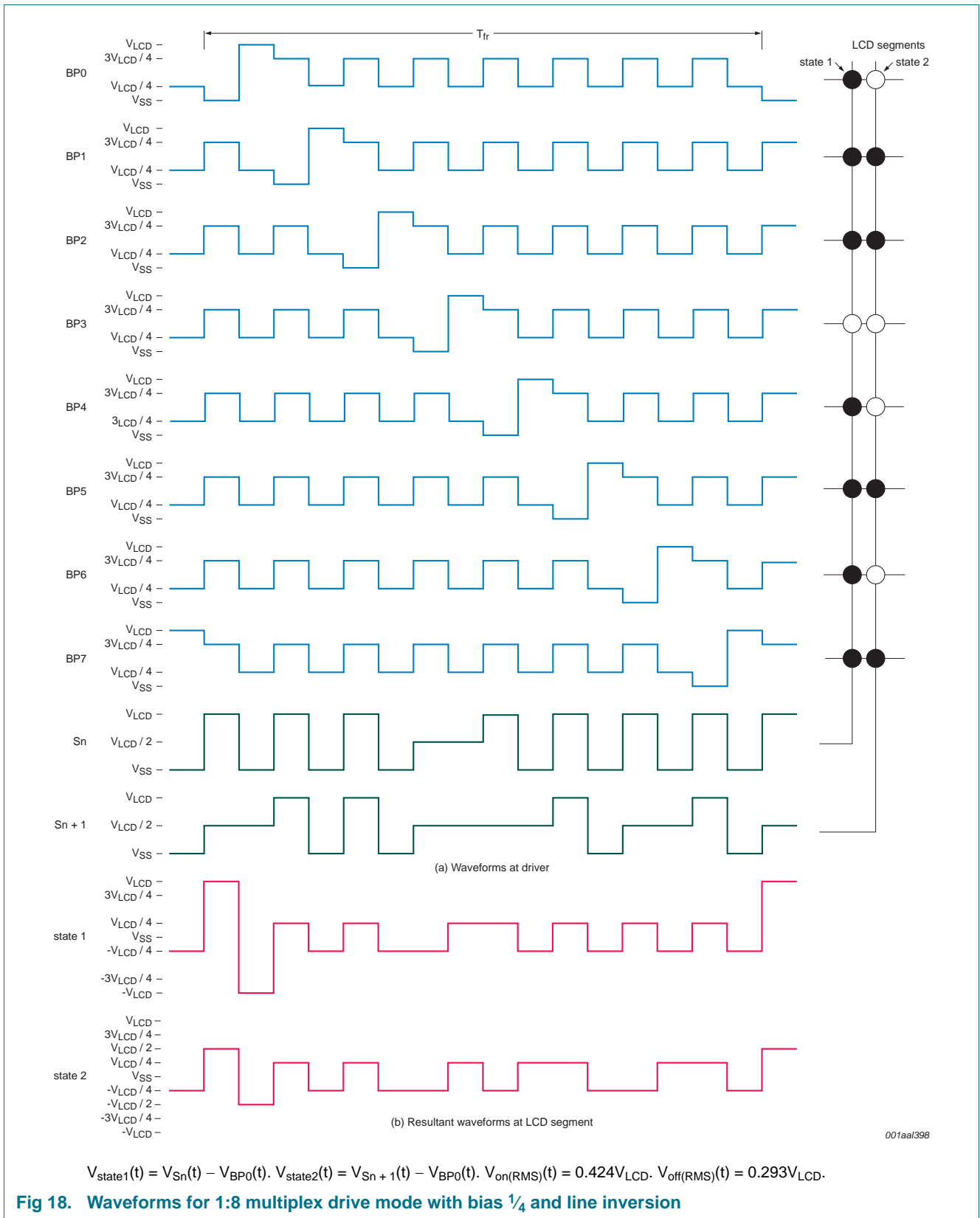


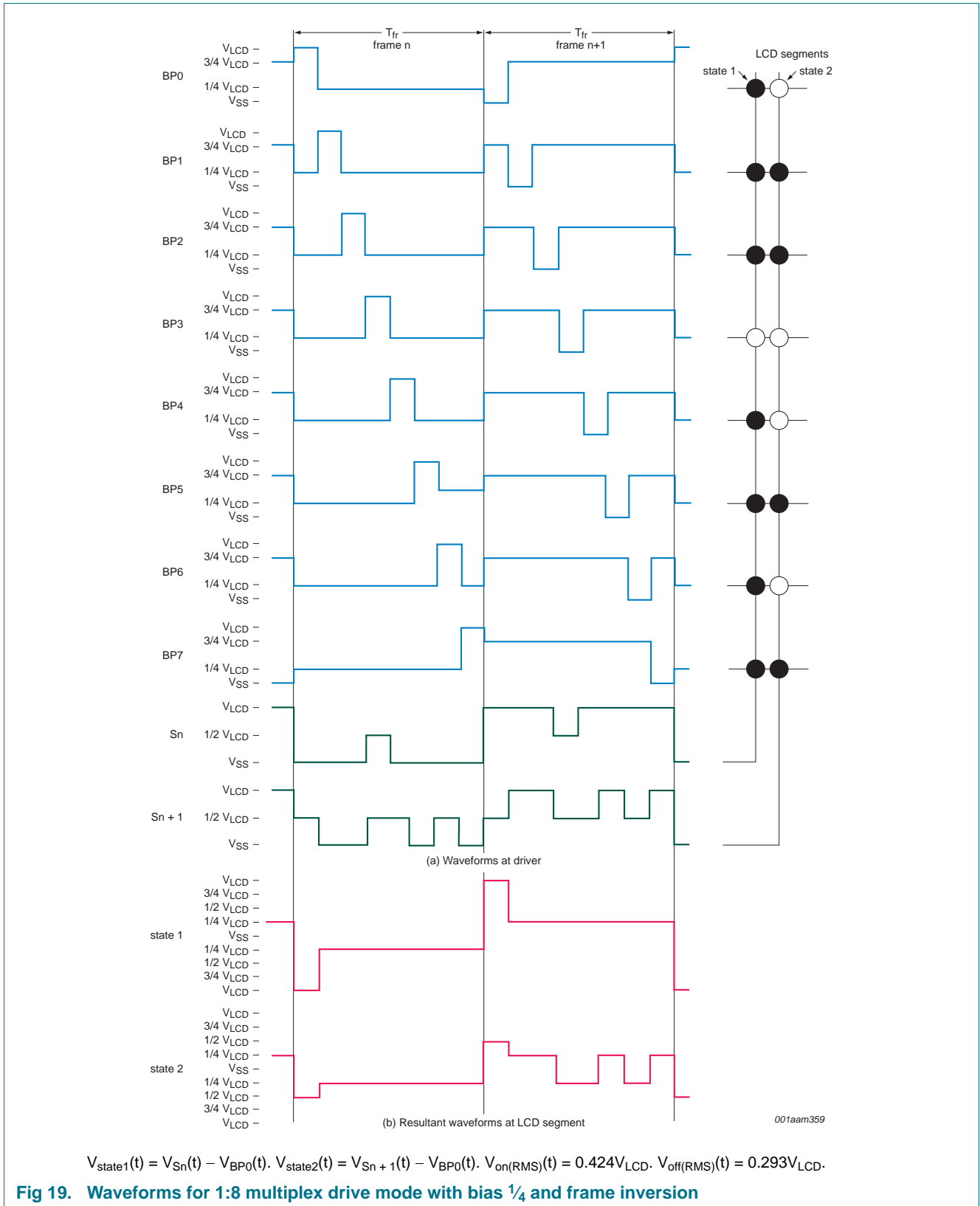
$$V_{state1}(t) = V_{Sn}(t) - V_{BP0}(t). \quad V_{state2}(t) = V_{Sn+1}(t) - V_{BP0}(t).$$

$$V_{on(RMS)}(t) = 0.467V_{LCD}. \quad V_{off(RMS)}(t) = 0.306V_{LCD}.$$

Fig 17. Waveforms for 1:6 multiplex drive mode with bias 1/4 and line inversion

8.5.3 1:8 Multiplex drive mode





8.6 Display register

The display register holds the display data while the corresponding multiplex signals are generated.

8.7 Backplane outputs

The LCD drive section includes eight backplane outputs: BP0 to BP7. The backplane output signals are generated based on the selected LCD multiplex drive mode.

- In 1:8 multiplex drive mode: BP0 to BP7 must be connected directly to the LCD.
- In 1:6 multiplex drive mode: BP0 to BP5 must be connected directly to the LCD.
- In 1:4 multiplex drive mode: BP0 to BP3 must be connected directly to the LCD.

8.8 Segment outputs

The LCD drive section includes up to 44 segment outputs (S0 to S43) which must be connected directly to the LCD. The segment output signals are generated based on the multiplexed backplane signals and with data resident in the display register. When less segment outputs are required, the unused segment outputs must be left open-circuit.

The number of available segments depends on the multiplex drive mode selected and the number of GPOs used. The table shows consecutive GPOs selected, but this is just for simplicity of explanation. Any combination of GPOs may be used.

Table 32. Backplane and active segment combinations

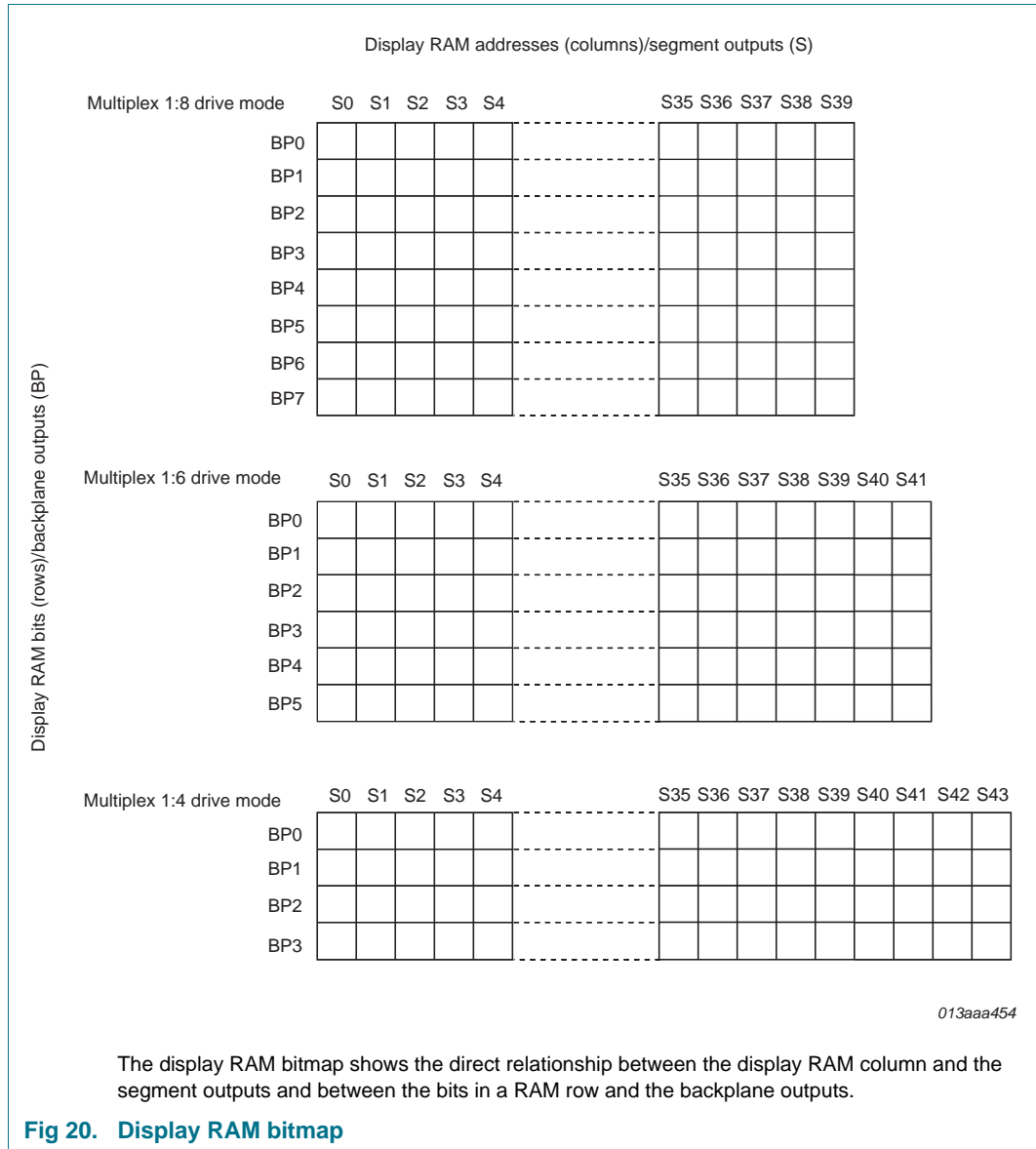
Basic examples. GPO pins may be configured in any combination. Other LCD segment and GPO combinations are possible.

| Multiplex drive mode | Active BPs | Active GPOs | | | | | | |
|----------------------|------------|-------------|-----------|------------|------------|------------|------------|------------|
| | | None | GP0 only | GP0 to GP1 | GP0 to GP2 | GP0 to GP3 | GP0 to GP4 | GP0 to GP5 |
| 1:8 | BP0 to BP7 | S0 to S39 | S1 to S39 | S2 to S39 | S3 to S39 | S4 to S39 | S5 to S39 | S6 to S39 |
| 1:6 | BP0 to BP5 | S0 to S41 | S1 to S41 | S2 to S41 | S3 to S41 | S4 to S41 | S5 to S41 | S6 to S41 |
| 1:4 | BP0 to BP3 | S0 to S43 | S1 to S43 | S2 to S43 | S3 to S43 | S4 to S43 | S5 to S43 | S6 to S43 |

8.9 Display RAM

The display RAM stores the LCD data. Depending on the multiplex drive mode, the arrangement of the RAM is changed.

- multiplex drive 1:8: RAM is 40 × 8 bit
- multiplex drive 1:6: RAM is 42 × 6 bit
- multiplex drive 1:4: RAM is 44 × 4 bit



Logic 1 in the RAM bit map indicates the on-state ($V_{on(RMS)}$) of the corresponding LCD element; similarly, logic 0 indicates the off-state ($V_{off(RMS)}$). For more information on $V_{on(RMS)}$ and $V_{off(RMS)}$, see [Section 8.4](#).

There is a one-to-one correspondence between

- the bits in the RAM bitmap and the LCD elements,

- the RAM columns and the segment outputs,
- the RAM rows and the backplane outputs.

The display RAM bit map, [Figure 20](#), shows row 0 to row 7 which correspond with the backplane outputs BP0 to BP7, and column 0 to column 43 which correspond with the segment outputs S0 to S43. In multiplexed LCD applications, the data of each row of the display RAM is time-multiplexed with the corresponding backplane (row 0 with BP0, row 1 with BP1, and so on).

When display data is transmitted to the PCF8536, the display bytes received are stored in the display RAM in accordance with the selected LCD multiplex drive mode. The data is stored as it arrives and depending on the current multiplex drive mode, data is stored in quadruples, sextuples or bytes.

8.9.1 Data pointer (LCD part)

The addressing mechanism for the display RAM is realized using the data pointer. This allows the loading of an individual display data byte, or a series of display data bytes, into any location of the display RAM. The sequence commences with the initialization of the data pointer by the load-data-pointer-LCD command (see [Table 25](#)).

Following this command, an arriving data byte is stored starting at the display RAM address indicated by the data pointer.

The data pointer is automatically incremented in accordance with the chosen LCD multiplex drive mode configuration. That is, after each byte is stored, the contents of the data pointer are incremented

- by two (1:4 multiplex drive mode),
- by one or two (1:6 multiplex drive mode),
- by one (1:8 multiplex drive mode).

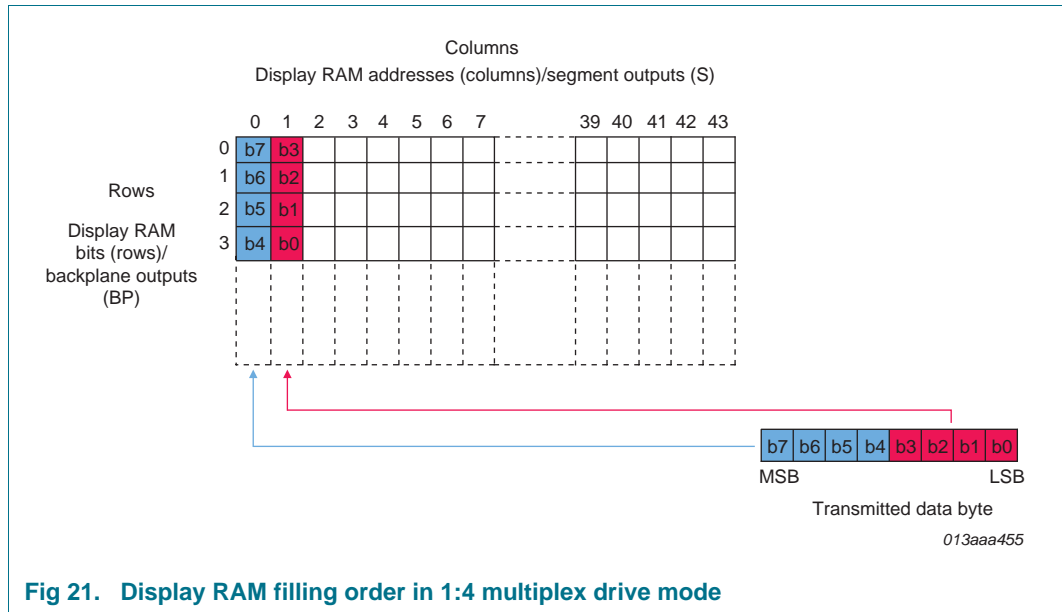
Multiplex drive 1:6 is a special case and is described later on.

When the address counter reaches the end of the RAM, it stops incrementing after the last byte is transmitted. Redundant bits of the last byte and subsequent bytes transmitted are discarded until the pointer is reset. To send new RAM data, the data pointer must be reset.

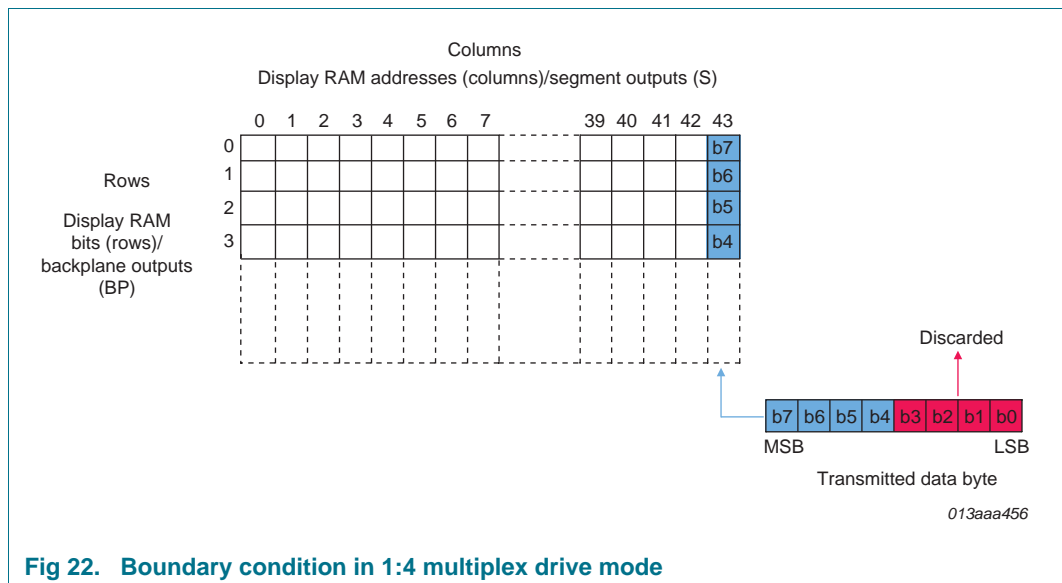
If an I²C-bus or SPI-bus data access is terminated early then the state of the data pointer is unknown. The data pointer must then be re-written prior to further RAM accesses.

8.9.2 RAM filling in 1:4 multiplex drive mode

In the 1:4 multiplex drive mode the RAM is organized in four rows and 44 columns. The eight transmitted data bits are placed in two successive display RAM columns of four rows (see Figure 21). In order to fill the whole four RAM rows, 22 bytes need to be sent to the PCF8536. After the last byte sent, the data pointer must be reset before the next RAM content update. Additional data bytes sent and any data bits that spill over the RAM will be discarded.

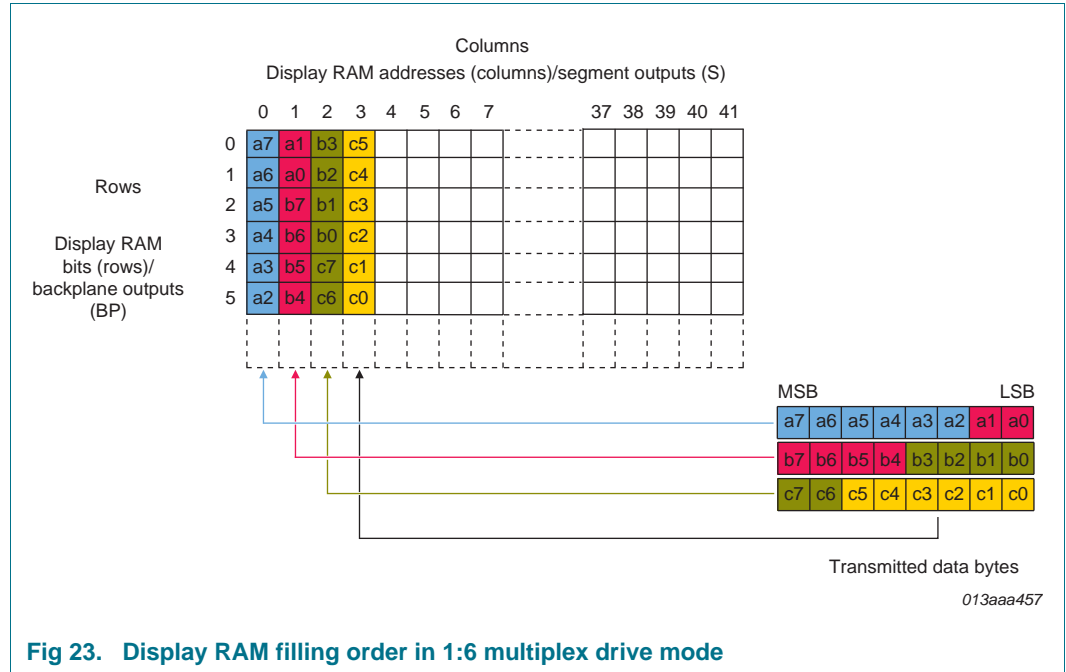


Depending on the start address of the data pointer, there is the possibility for a boundary condition. This will occur when more data bits are sent than fit into the remaining RAM. The additional data bits are discarded. See Figure 22.



8.9.3 RAM filling in 1:6 multiplex drive mode

In the 1:6 multiplex drive mode the RAM is organized in six rows and 42 columns. The eight transmitted data bits are placed in such a way, that a column is filled up (see [Figure 23](#)).



The remaining bits are wrapped over into the next column. In order to fill the whole RAM, 31 and a half bytes need to be sent to the PCF8536. After the last byte sent, the data pointer must be reset before the next RAM content update. Additional data bytes sent and any data bits that spill over the RAM will be discarded. Depending on the start address of the data pointer, there are three possible boundary conditions. See [Figure 24](#).

8.9.4 RAM filling in 1:8 multiplex drive mode

In the 1:8 multiplex drive mode the RAM is organized in eight rows and 40 columns. The eight transmitted data bits are placed into eight rows of one display RAM column (see [Figure 25](#)). In order to fill the whole RAM, 40 bytes need to be sent to the PCF8536. After the last byte sent, the data pointer must be reset before the next RAM content update. Additional data bytes sent will be discarded.

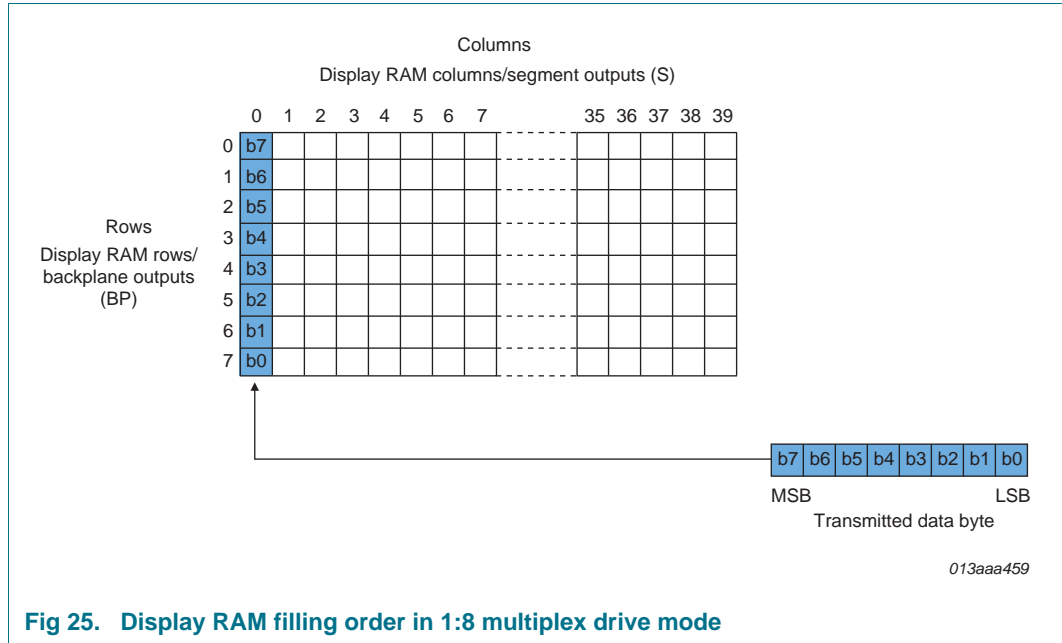


Fig 25. Display RAM filling order in 1:8 multiplex drive mode

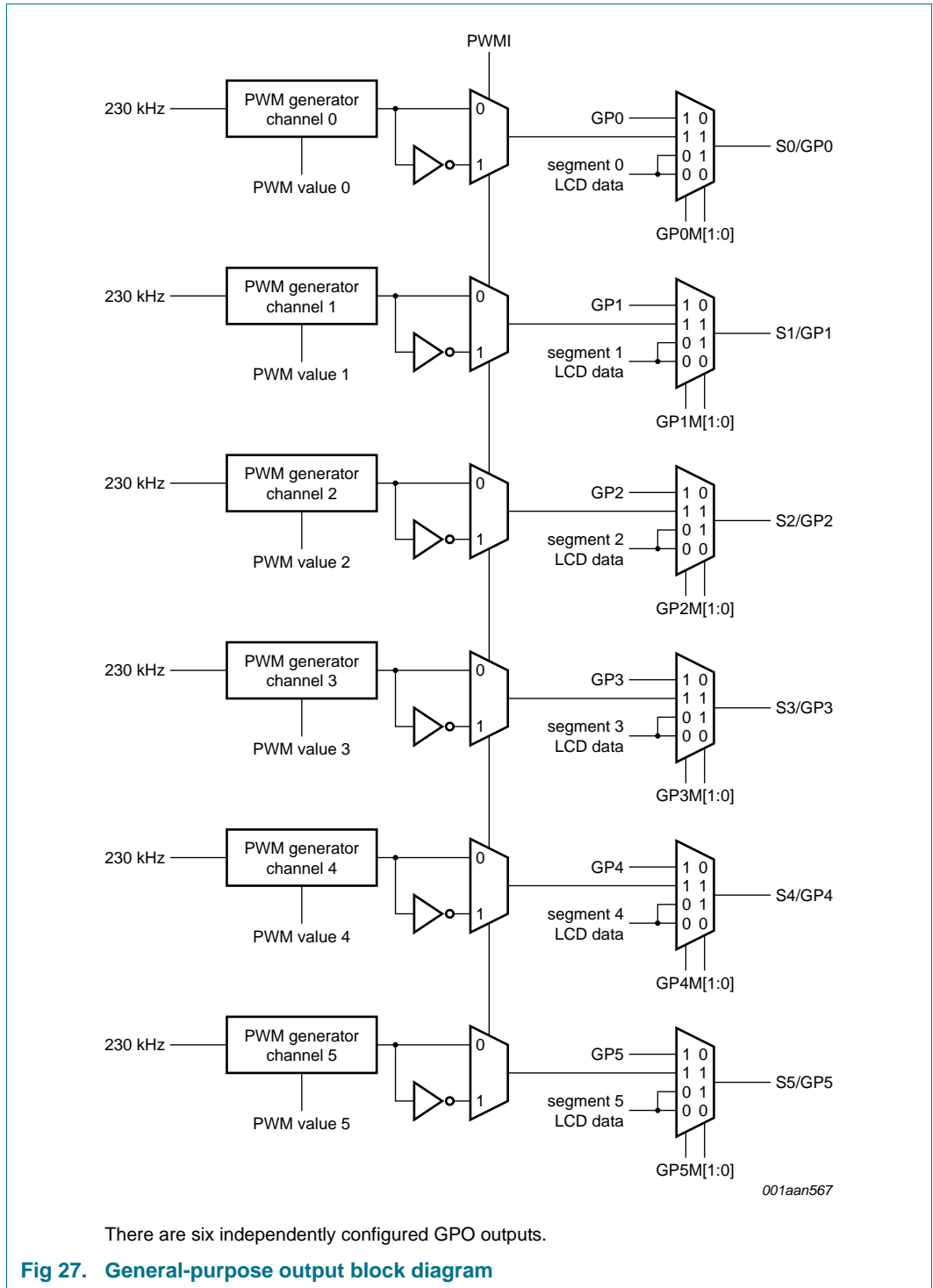
There are no boundary conditions in 1:8 multiplex drive mode.

8.10 PWM registers and data pointer (PWM part)

There are six PWM generators which can be independently configured. The values used to define the PWM output are stored here.

The addressing mechanism for the PWM register is realized using the PWM data pointer. This allows the loading of an individual PWM data byte, or a series of data bytes, into any location of the PWM registers. The sequence commences with the initialization of the data pointer by the load-data-pointer-PWM command (see [Table 26](#)).

Following this command, an arriving data byte is stored starting at the PWM register address indicated by the PWM data pointer. The data pointer is automatically incremented. That is, after each byte is stored, the contents of the data pointer are incremented. The data pointer will wrap around continuously as long as data is transmitted.



An example of the PWM waveforms is given in [Figure 28](#).

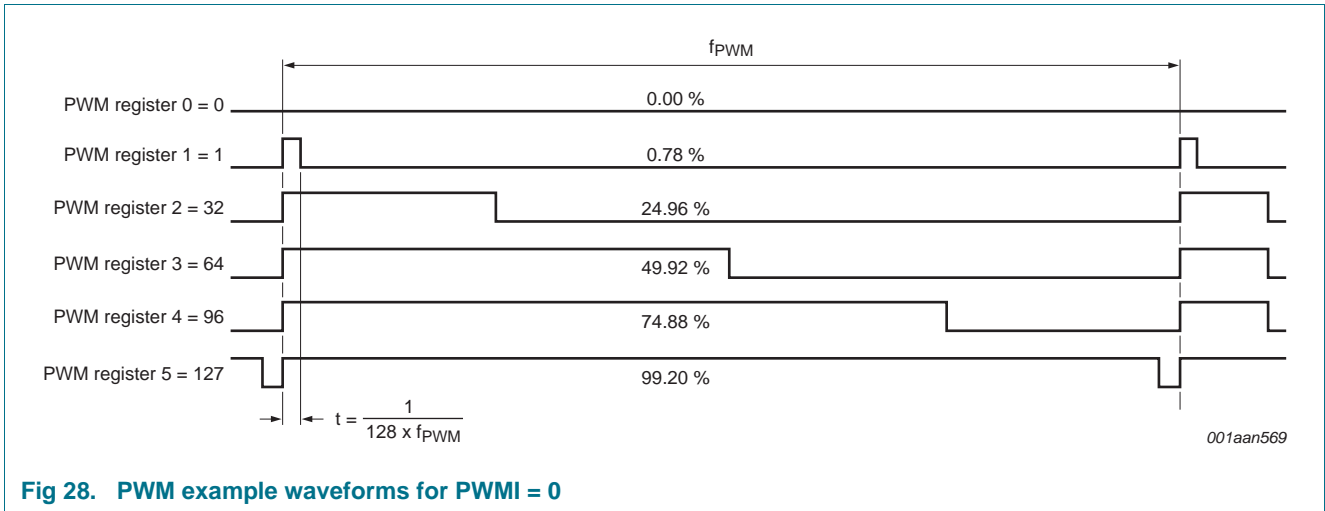


Fig 28. PWM example waveforms for PWMI = 0

8.11.1 RGB color driving

There are six PWM channels that can be arranged as two RGB channels. There are no explicit settings for this feature, only ways of utilizing the PWM channels.

Table 34 gives an example of how two RGB clusters can be configured.

Table 34. Combining PWM channels for RGB

| RGB cluster | PWM channel | Component color |
|-------------|-------------|-----------------|
| 0 | 0 | red |
| | 1 | green |
| | 2 | blue |
| 1 | 3 | red |
| | 4 | green |
| | 5 | blue |

Figure 29 gives an example of how two RGB clusters can be connected.

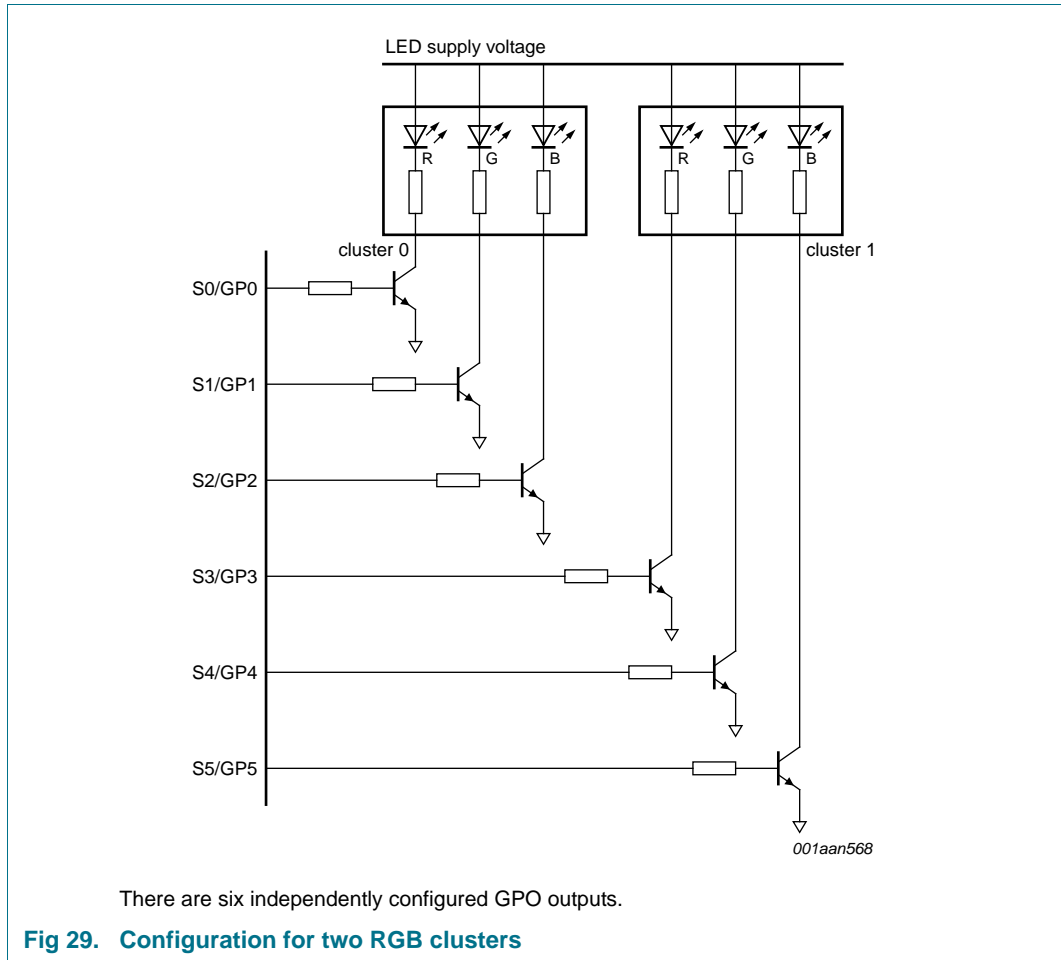


Table 35 gives some examples of programming values for the PWM channels in order to achieve the given colors. By using three PWM channels for one RGB cluster it is possible to generate two million colors.

Table 35. Example PWM values

| PWM channel | Component color | PWM channel value | Resultant color |
|-------------|-----------------|-------------------|-----------------|
| 0 | red | 127 | yellow |
| 1 | green | 127 | |
| 2 | blue | 0 | |
| 3 | red | 127 | orange |
| 4 | green | 82 | |
| 5 | blue | 0 | |
| 0 | red | 0 | aqua |
| 1 | green | 127 | |
| 2 | blue | 127 | |
| 3 | red | 127 | gold |
| 4 | green | 108 | |
| 5 | blue | 0 | |

8.11.2 PWM inversion mode

The PWM inversion mode can be enabled by setting the PWMI bit to logic 1 (see [Table 7 on page 8](#)). The PWMI mode will invert the PWM waveform.

By default, all PWM outputs will switch HIGH at the same time. If the PWM output is used to drive external LEDs then this could cause a voltage dip on the power supply of the LEDs. With the PWMI mode, it is possible to prevent multiple outputs switching HIGH at the same time by ensuring that the PWM values are not identical.

In the example in [Figure 30](#), none of the six PWM outputs switch HIGH together; however this will not cause any power supply disturbances.

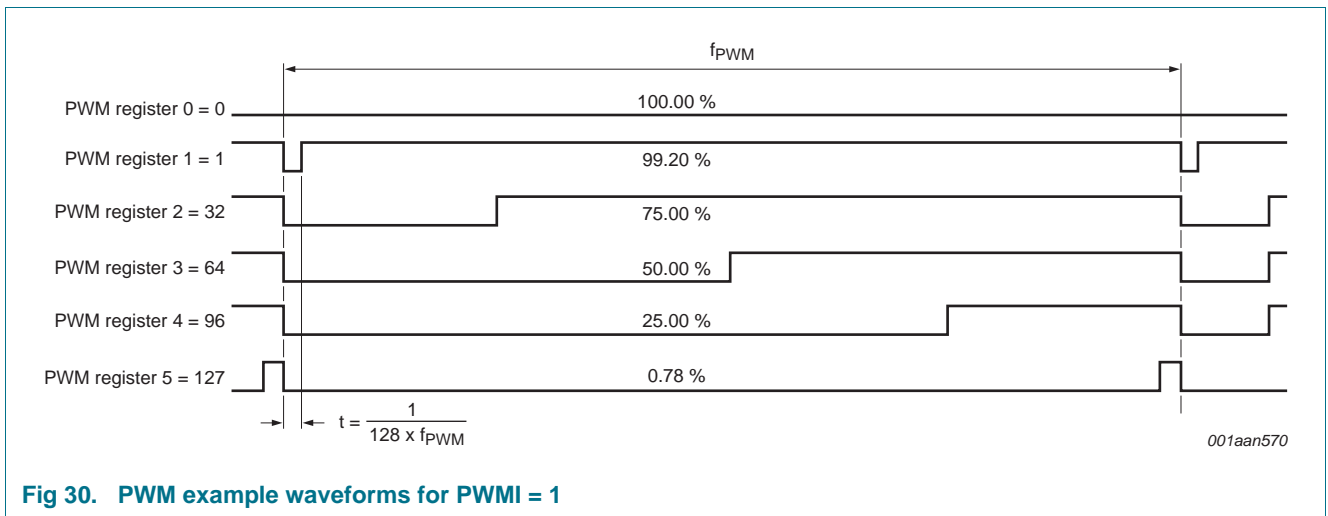


Fig 30. PWM example waveforms for PWMI = 1

When PWM inversion mode is used, the PWM duty cycle can be calculated with:

$$DutyCycle = \frac{128 - PWMvalue}{128} \cdot 100 \tag{10}$$

9. Bus interfaces

9.1 Control byte and register selection

After initiating the communication over the bus and sending the slave address (I²C-bus, see [Section 9.2](#)) or subaddress (SPI-bus, see [Section 9.3](#)), a control byte follows. The purpose of this byte is to indicate both, the content for the following data bytes (RAM, command, or PWM data) and to indicate that more control bytes will follow.

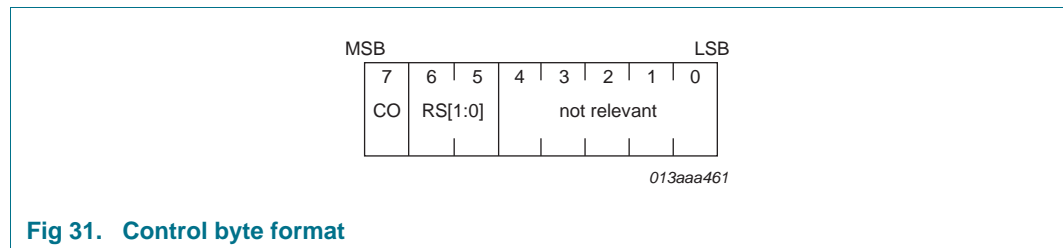
Typical sequences could be:

- Slave address/subaddress - control byte - command byte - command byte - command byte - end
- Slave address/subaddress - control byte - RAM byte - RAM byte - RAM byte - end
- Slave address/subaddress - control byte - command byte - control byte - RAM byte - end

In this way, it is possible to send a mixture of RAM, PWM and command data in one access or alternatively, to send just one type of data in one access.

Table 36. Control byte description

| Bit | Symbol | Value | Description |
|--------|---------|-------|---------------------------|
| 7 | CO | | continue bit |
| | | 0 | last control byte |
| | | 1 | control bytes continue |
| 6 to 5 | RS[1:0] | | register selection |
| | | 00 | command register |
| | | 01 | RAM data |
| | | 10 | PWM data |
| | | 11 | unused |
| 4 to 0 | - | - | unused |

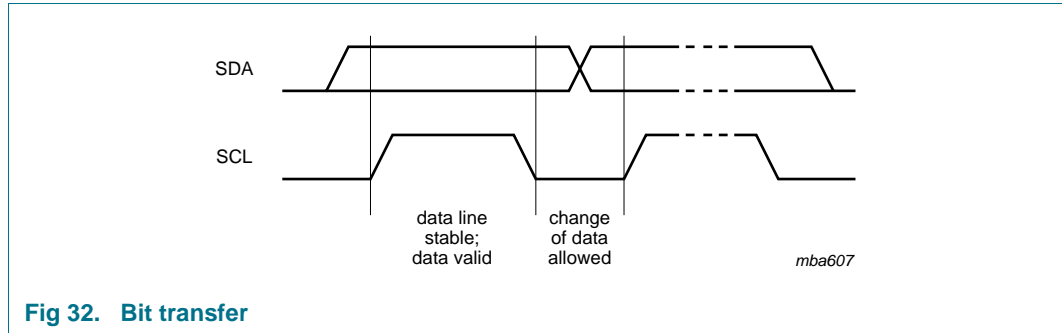


9.2 I²C-bus interface

The I²C-bus is for bidirectional, two-line communication between different ICs or modules. The two lines are a Serial Data line (SDA) and a Serial CLock line (SCL). Both lines must be connected to a positive supply via a pull-up resistor when connected to the output stages of a device. Data transfer may be initiated only when the bus is not busy.

9.2.1 Bit transfer

One data bit is transferred during each clock pulse. The data on the SDA line must remain stable during the HIGH period of the clock pulse as changes in the data line at this time will be interpreted as a control signal (see [Figure 32](#)).



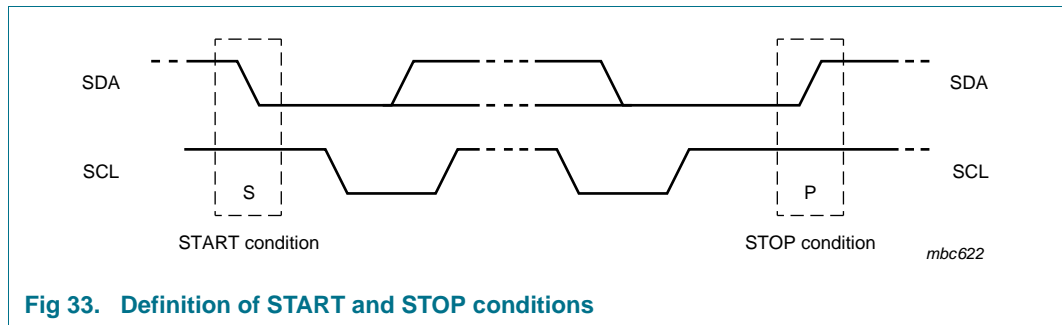
9.2.2 START and STOP conditions

Both data and clock lines remain HIGH when the bus is not busy.

A HIGH-to-LOW change of the data line, while the clock is HIGH, is defined as the START condition (S).

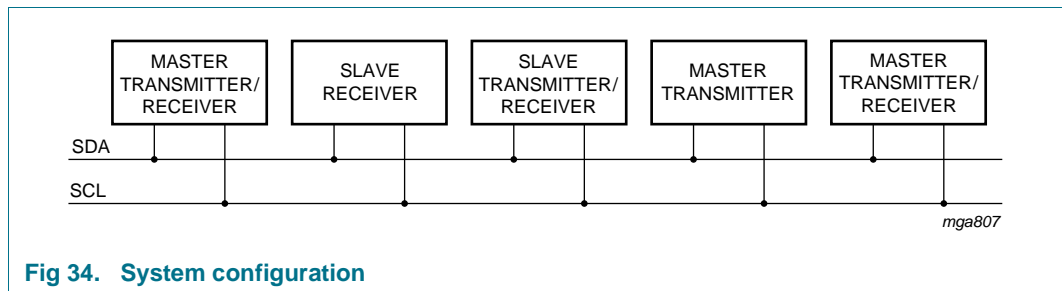
A LOW-to-HIGH change of the data line, while the clock is HIGH, is defined as the STOP condition (P).

The START and STOP conditions are shown in [Figure 33](#).



9.2.3 System configuration

A device generating a message is a transmitter, a device receiving a message is the receiver. The device that controls the message is the master and the devices which are controlled by the master are the slaves. The system configuration is shown in [Figure 34](#).



9.2.4 Acknowledge

The number of data bytes transferred between the START and STOP conditions from transmitter to receiver is unlimited. Each byte of 8 bits is followed by an acknowledge cycle.

- A slave receiver which is addressed must generate an acknowledge after the reception of each byte.
- Also a master receiver must generate an acknowledge after the reception of each byte that has been clocked out of the slave transmitter.
- The device that acknowledges must pull-down the SDA line during the acknowledge clock pulse, so that the SDA line is stable LOW during the HIGH period of the acknowledge related clock pulse (set-up and hold times must be considered).
- A master receiver must signal an end of data to the transmitter by not generating an acknowledge on the last byte that has been clocked out of the slave. In this event, the transmitter must leave the data line HIGH to enable the master to generate a STOP condition.

Acknowledgement on the I²C-bus is shown in [Figure 35](#).

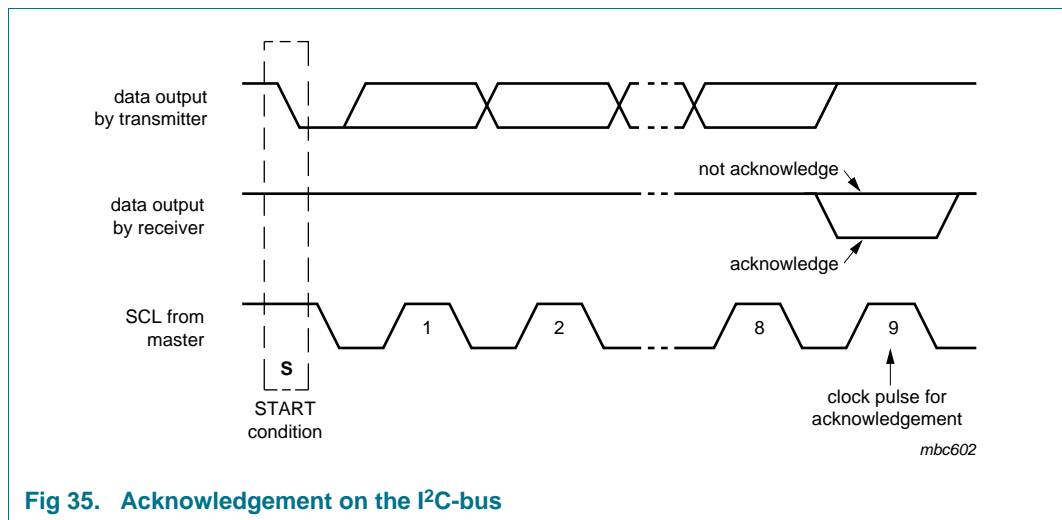


Fig 35. Acknowledgement on the I²C-bus

9.2.5 I²C-bus controller

The PCF8536 acts as an I²C-bus slave receiver. It does not initiate I²C-bus transfers or transmit data to an I²C-bus master receiver. Device selection depends on the I²C-bus slave address.

9.2.6 Input filters

To enhance noise immunity in electrically adverse environments, RC low-pass filters are provided on the SDA and SCL lines.

9.2.7 I²C-bus slave address

Device selection depends on the I²C-bus slave address. Two different I²C-bus slave addresses can be used to address the PCF8536 (see Table 37).

Table 37. I²C slave address

| Bit | Slave address | | | | | | | 0 LSB |
|-----|---------------|---|---|---|---|---|----|----------|
| | 7 MSB | 6 | 5 | 4 | 3 | 2 | 1 | |
| | 0 | 1 | 1 | 1 | 0 | 0 | A0 | R/W |

The least significant bit of the slave address byte is bit R/W. Bit 1 of the slave address is defined by connecting the input A0 to either V_{SS} (logic 0) or V_{DD} (logic 1). Therefore, two instances of PCF8536 can be distinguished on the same I²C-bus.

9.2.8 I²C-bus protocol

The I²C-bus protocol is shown in Figure 36. The sequence is initiated with a START condition (S) from the I²C-bus master which is followed by one of the two PCF8536 slave addresses available. All PCF8536 with the corresponding A0 level acknowledge in parallel to the slave address, but any PCF8536 with the alternative A0 level ignore the whole I²C-bus transfer.

After acknowledgement, a control byte follows (see Section 9.1 on page 46).

The display bytes are stored in the display RAM at the address specified by the RAM data pointer and PWM data is stored at the address pointed to by the PWM data pointer.

The acknowledgement after each byte is made only by the addressed PCF8536. After the last data byte, the I²C-bus master issues a STOP condition (P). Alternatively a START may be issued to RESTART an I²C-bus access.

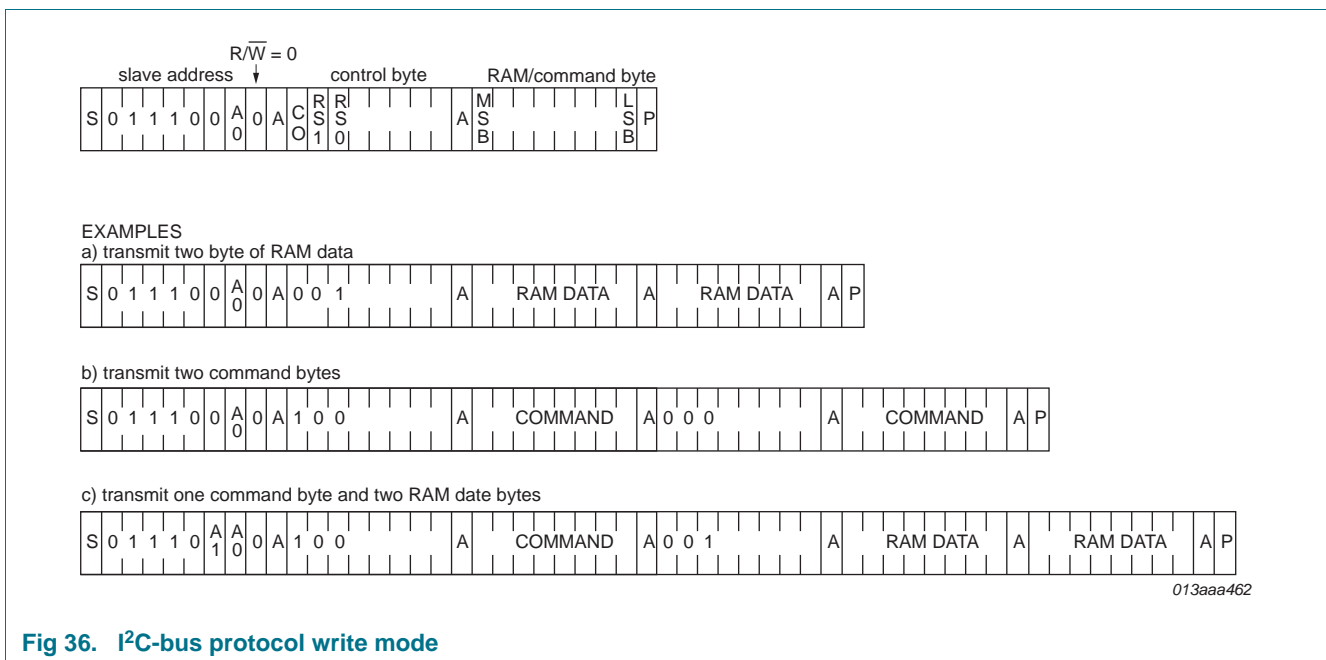


Fig 36. I²C-bus protocol write mode

9.2.8.1 Status read out

Status read out for I²C-bus operation only. This command will initiate the read out of a fixed value plus the slave address bit A0 from the PCF8536. This read out function will allow the I²C master to confirm the existence of the device on the I²C-bus.

Table 38. Status read out value

| Bit | Symbol | Value | Description |
|--------|--------|---------|-----------------------------|
| 7 to 1 | - | 0101010 | fixed value |
| 0 | A0 | 0 | read back value is 01010100 |
| | | 1 | read back value is 01010101 |

If a readout is made, the $\overline{R/W}$ bit must be logic 1 and then the next data byte following is provided by the PCF8536 as shown in [Figure 37](#).

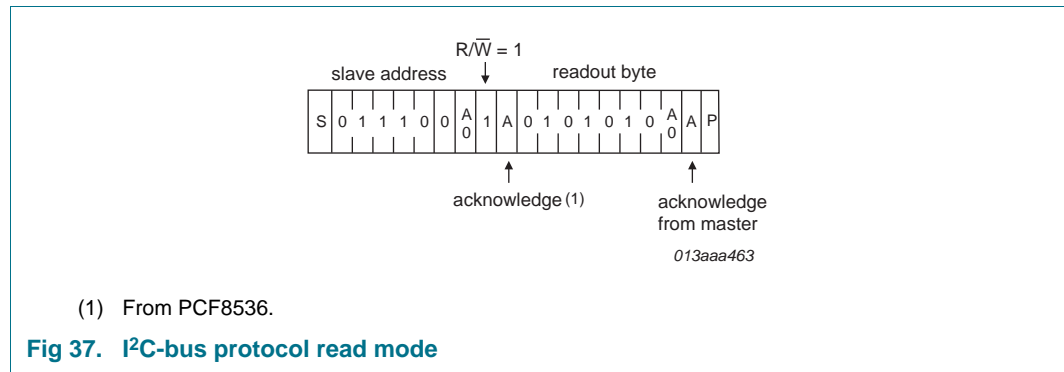


Fig 37. I²C-bus protocol read mode

In the unlikely case that the chip has entered the internal test mode, detection of this state is possible by using the modified status read out detailed in [Table 39](#). The read out value is modified to indicate that the chip has entered an internal test mode.

Table 39. Modified status read out value

| Bit | Symbol | Value | Description |
|--------|--------|---------|------------------------------|
| 7 to 1 | - | 1111000 | fixed value |
| 0 | A0 | 0 | read back value is 1111 0000 |
| | | 1 | read back value is 1111 0001 |

EMC detection: The PCF8536 is ruggedized against EMC susceptibility; however it is not possible to cover all cases. To detect if a severe EMC event has occurred, it is possible to check the responsiveness of the device by reading its register.

9.3 SPI-bus interface

Data transfer to the device is made via a 3 line SPI-bus (see [Table 40](#)). There is no output data line. The SPI-bus is initialized whenever the chip enable line pin \overline{CE} is inactive.

Table 40. Serial interface

| Symbol | Function | Description |
|-----------------|---|---|
| \overline{CE} | chip enable input ^[1] ; active LOW | when HIGH, the interface is reset |
| SCL | serial clock input | input may be higher than V_{DD} |
| SDI | serial data input | input may be higher than V_{DD} ; input data is sampled on the rising edge of SCL |

[1] The chip enable must not be wired permanently LOW.

9.3.1 Data transmission

The chip enable signal is used to identify the transmitted data. Each data transfer is a byte with the Most Significant Bit (MSB) sent first.

The transmission is controlled by the active LOW chip enable signal \overline{CE} . The first byte transmitted is the subaddress byte.

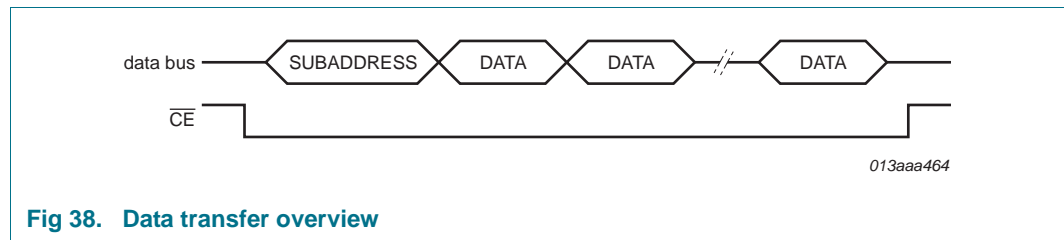


Fig 38. Data transfer overview

The subaddress byte opens the communication with a read/write bit and a subaddress. The subaddress is used to identify multiple devices on one SPI-BUS.

Table 41. Subaddress byte definition

| Bit | Symbol | Value | Description |
|--------|------------------|-------|---|
| 7 | R/\overline{W} | | data read or write selection |
| | | 0 | write data |
| | | 1 | read data |
| 6 to 5 | SA | 01 | subaddress ; other codes will cause the device to ignore data transfer |
| 4 to 0 | - | | unused |

After the subaddress byte, a control byte follows (see [Section 9.1 on page 46](#)).

10. Internal circuitry

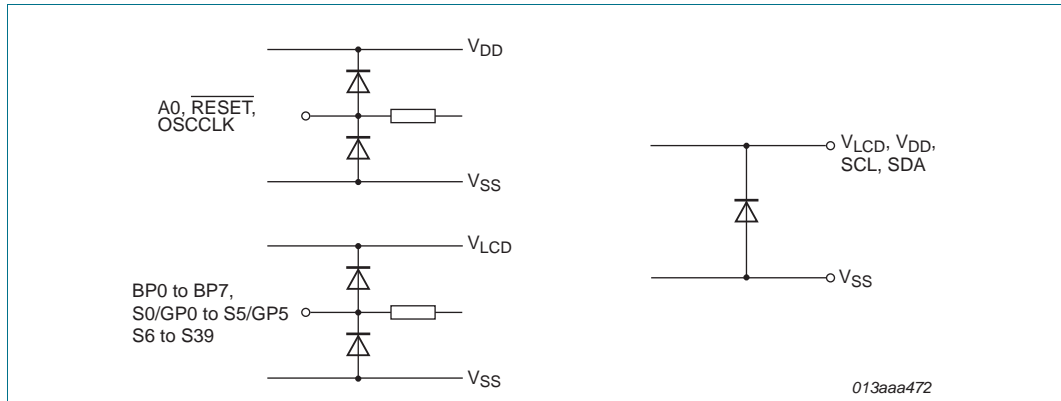


Fig 41. Device protection diagram for PCF8536AT

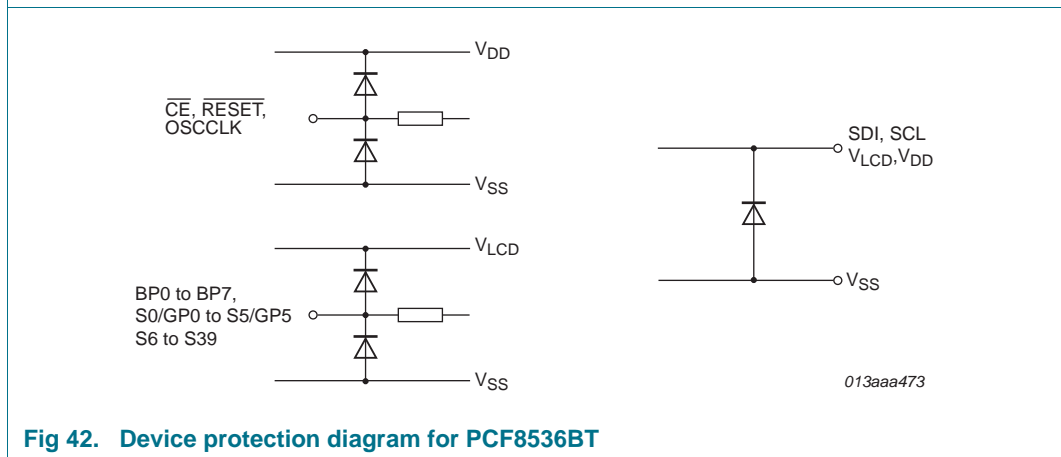


Fig 42. Device protection diagram for PCF8536BT

11. Limiting values

CAUTION



Static voltages across the liquid crystal display can build up when the LCD supply voltage (V_{LCD}) is on while the IC supply voltage (V_{DD}) is off, or vice versa. This may cause unwanted display artifacts. To avoid such artifacts, V_{LCD} and V_{DD} must be applied or removed together.

Table 42. Limiting values

In accordance with the Absolute Maximum Rating System (IEC 60134).

| Symbol | Parameter | Conditions | Min | Max | Unit |
|---------------|---------------------------------|---|---------|-------|------|
| V_{DD} | supply voltage | | -0.5 | +6.5 | V |
| I_{DD} | supply current | | -50 | +50 | mA |
| V_{LCD} | LCD supply voltage | | -0.5 | +10 | V |
| $I_{DD(LCD)}$ | LCD supply current | | -50 | +50 | mA |
| V_I | input voltage | PCF8536AT | | | |
| | | on pins SDA, OSCCLK, SCL, A0, RESET | -0.5 | +6.5 | V |
| | | PCF8536BT | | | |
| | | on pins \overline{CE} , OSCCLK, SCL, SDI, RESET | -0.5 | +6.5 | V |
| I_I | input current | | -10 | +10 | mA |
| V_O | output voltage | on pins S0/GP0 to S5/GP5, S6 to S39, BP0 to BP7 | -0.5 | +10 | V |
| | | on pin SDA | -0.5 | +6.5 | V |
| I_O | output current | | -10 | +10 | mA |
| I_{SS} | ground supply current | | -50 | +50 | mA |
| P_{tot} | total power dissipation | | - | 400 | mW |
| P_{out} | power dissipation per output | | - | 100 | mW |
| V_{ESD} | electrostatic discharge voltage | HBM | [1] - | ±3500 | V |
| | | CDM | [2] - | ±1250 | V |
| I_{lu} | latch-up current | | [3] - | 200 | mA |
| T_{stg} | storage temperature | | [4] -65 | +150 | °C |
| T_{amb} | ambient temperature | operating device | -40 | +85 | °C |

[1] Pass level; Human Body Model (HBM), according to [Ref. 5 "JESD22-A114"](#).

[2] Pass level; Charge Device Model (CDM), according to [Ref. 6 "JESD22-C101"](#).

[3] Pass level; latch-up testing according to [Ref. 7 "JESD78"](#) at maximum ambient temperature ($T_{amb(max)}$).

[4] According to the NXP store and transport requirements (see [Ref. 9 "NX3-00092"](#)) the devices have to be stored at a temperature of +8 °C to +45 °C and a humidity of 25 % to 75 %. For long-term storage products deviant conditions are described in that document.

12. Static characteristics

Table 43. Static characteristics
 $V_{DD} = 1.8\text{ V to }5.5\text{ V}; V_{SS} = 0\text{ V}; V_{LCD} = 2.5\text{ V to }9.0\text{ V}; T_{amb} = -40\text{ }^{\circ}\text{C to }+85\text{ }^{\circ}\text{C};$ unless otherwise specified.

| Symbol | Parameter | Conditions | Min | Typ | Max | Unit |
|--|--------------------------------|---|----------------|-----|----------------|---------------|
| Supplies | | | | | | |
| V_{DD} | supply voltage | | 1.8 | - | 5.5 | V |
| V_{LCD} | LCD supply voltage | $V_{LCD} \geq V_{DD}$ | 2.5 | - | 9.0 | V |
| $I_{DD(pd)}$ | power-down mode supply current | | [1] - | 0.5 | 2 | μA |
| I_{DD} | supply current | see Figure 43 | | | | |
| | | external 9.6 kHz clock | [2] - | 10 | 25 | μA |
| | | external 230 kHz clock with PWM | [3] - | 20 | 40 | μA |
| | | internal oscillator | [2] - | 30 | 60 | μA |
| | | internal oscillator with PWM | [3] - | 60 | 130 | μA |
| $I_{DD(LCD)}$ | LCD supply current | power-down, see Figure 44 | [1][4] - | 7 | 15 | μA |
| | | display active, see Figure 45 | [5] - | 55 | 140 | μA |
| | | | | | | |
| Logic | | | | | | |
| V_I | input voltage | | $V_{SS} - 0.5$ | - | $V_{DD} + 0.5$ | V |
| V_{IL} | LOW-level input voltage | on pins $\overline{\text{OSCCLK}}$, A0 and RESET | - | - | $0.3V_{DD}$ | V |
| V_{IH} | HIGH-level input voltage | on pins $\overline{\text{OSCCLK}}$, A0 and RESET | $0.7V_{DD}$ | - | - | V |
| V_O | output voltage | | -0.5 | - | $V_{DD} + 0.5$ | V |
| V_{OH} | HIGH-level output voltage | driving load of $50\ \mu\text{A}$ on pins OSCCLK and GP0 to GP5 | $0.8V_{DD}$ | - | - | V |
| V_{OL} | LOW-level output voltage | driving load of $50\ \mu\text{A}$ on pins OSCCLK and GP0 to GP5 | - | - | $0.2V_{DD}$ | V |
| I_{OH} | HIGH-level output current | output source current; $V_{OH} = V_{DD} - 0.4\text{ V}$ | | | | |
| | | on pin OSCCLK | | | | |
| | | $V_{DD} = 1.8\text{ V}$ | 0.7 | 1.6 | - | mA |
| | | $V_{DD} \geq 3.3\text{ V}$ | 1.5 | 4.0 | - | mA |
| | | on pins GP0 to GP5 | | | | |
| | | $V_{DD} = 1.8\text{ V}; V_{LCD} = 2.5\text{ V}$ | 0.7 | 1.1 | - | mA |
| $V_{DD} = 3.3\text{ V}; V_{LCD} \geq 5.5\text{ V}$ | 1.5 | 2.8 | - | mA | | |

Table 43. Static characteristics ...continued

$V_{DD} = 1.8\text{ V to }5.5\text{ V}$; $V_{SS} = 0\text{ V}$; $V_{LCD} = 2.5\text{ V to }9.0\text{ V}$; $T_{amb} = -40\text{ }^{\circ}\text{C to }+85\text{ }^{\circ}\text{C}$; unless otherwise specified.

| Symbol | Parameter | Conditions | Min | Typ | Max | Unit |
|----------|--------------------------|---|-----|-----|-----|---------------|
| I_{OL} | LOW-level output current | output sink current; $V_{OL} = 0.4\text{ V}$ | | | | |
| | | on pin OSCCLK | | | | |
| | | $V_{DD} = 1.8\text{ V}$ | 3 | 4 | - | mA |
| | | $V_{DD} \geq 3.3\text{ V}$ | 5 | 10 | - | mA |
| | | on pins GP0 to GP5 | | | | |
| | | $V_{DD} = 1.8\text{ V}$; $V_{LCD} = 2.5\text{ V}$ | 0.7 | 1.1 | - | mA |
| | | $V_{DD} = 3.3\text{ V}$; $V_{LCD} \geq 5.5\text{ V}$ | 1.5 | 2.4 | - | mA |
| I_L | leakage current | $V_i = V_{DD}$ or V_{SS} ; on pin OSCCLK and GP0 to GP5 | -1 | - | +1 | μA |

I²C-bus^[6]

On pins SCL and SDA

| | | | | | | |
|----------|--------------------------|----------------------------|----------------|---|-------------|---------------|
| V_I | input voltage | | $V_{SS} - 0.5$ | - | 5.5 | V |
| V_{IL} | LOW-level input voltage | | - | - | $0.3V_{DD}$ | V |
| V_{IH} | HIGH-level input voltage | | $0.7V_{DD}$ | - | - | V |
| V_O | output voltage | | -0.5 | - | +5.5 | V |
| I_L | leakage current | $V_i = V_{DD}$ or V_{SS} | -1 | - | +1 | μA |

On pin SDA

| | | | | | | |
|----------|--------------------------|-------------------------|---|-----|---|----|
| I_{OL} | LOW-level output current | output sink current | | | | |
| | | $V_{DD} = 1.8\text{ V}$ | 3 | 5.5 | - | mA |
| | | $V_{DD} = 3.3\text{ V}$ | 5 | 9 | - | mA |

SPI-bus

| | | | | | | |
|-------|---------------|---------------------------------|----------------|---|----------------|---|
| V_I | input voltage | | | | | |
| | | on pin SCL | $V_{SS} - 0.5$ | - | 5.5 | V |
| | | on pins \overline{CE} and SDI | $V_{SS} - 0.5$ | - | $V_{DD} + 0.5$ | V |

On pins SCL, \overline{CE} and SDI

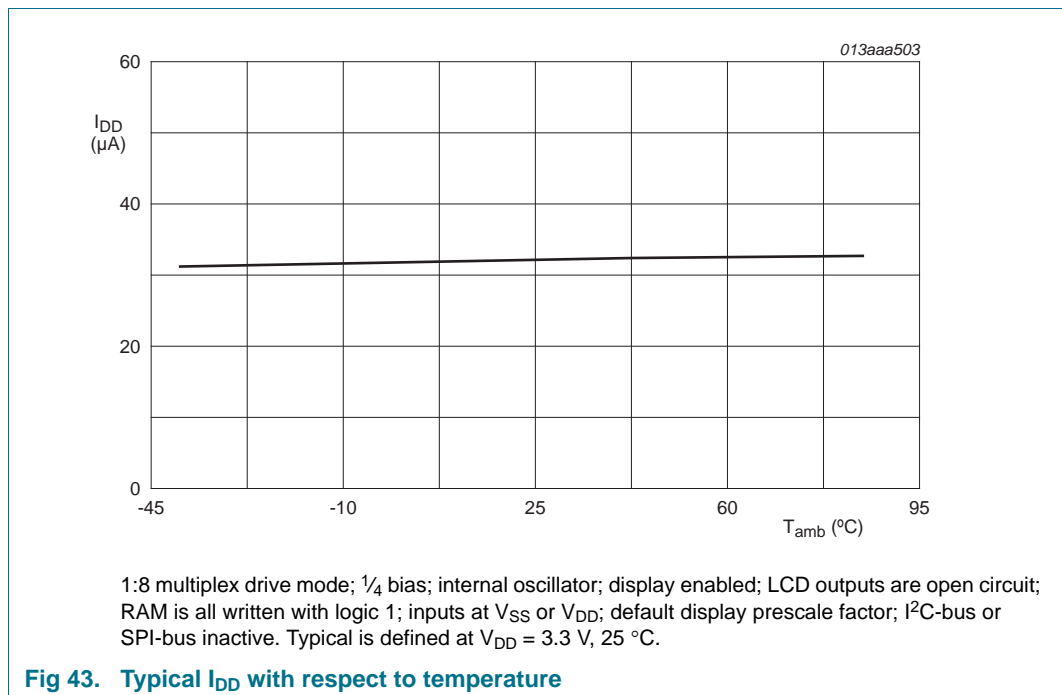
| | | | | | | |
|----------|--------------------------|----------------------------|-------------|---|-------------|---------------|
| V_{IL} | LOW-level input voltage | | - | - | $0.3V_{DD}$ | V |
| V_{IH} | HIGH-level input voltage | | $0.7V_{DD}$ | - | - | V |
| I_L | leakage current | $V_i = V_{DD}$ or V_{SS} | -1 | - | +1 | μA |

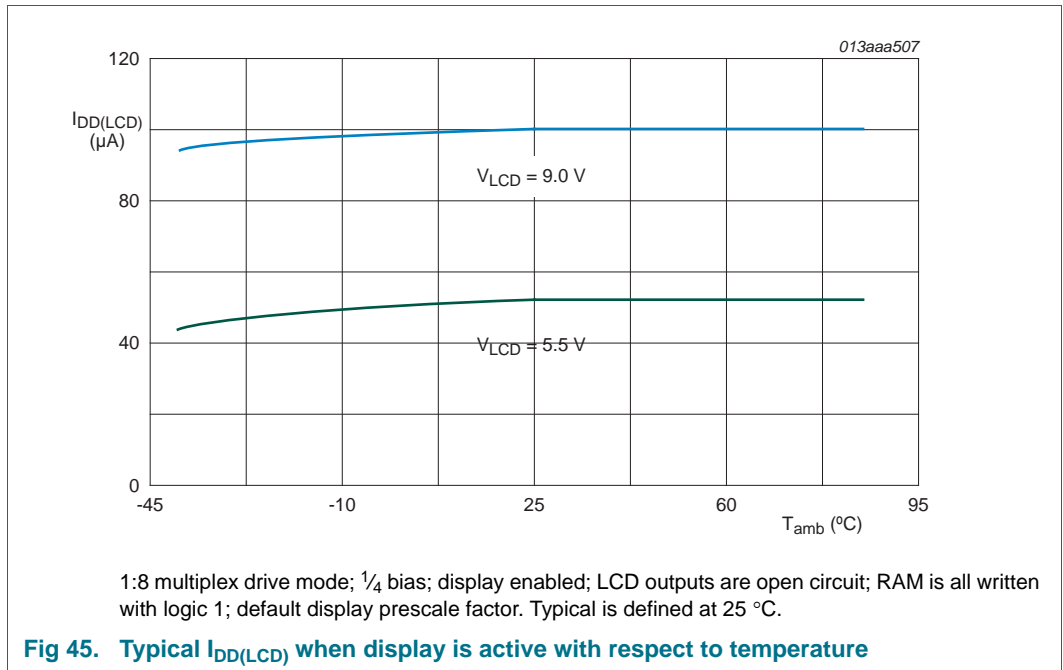
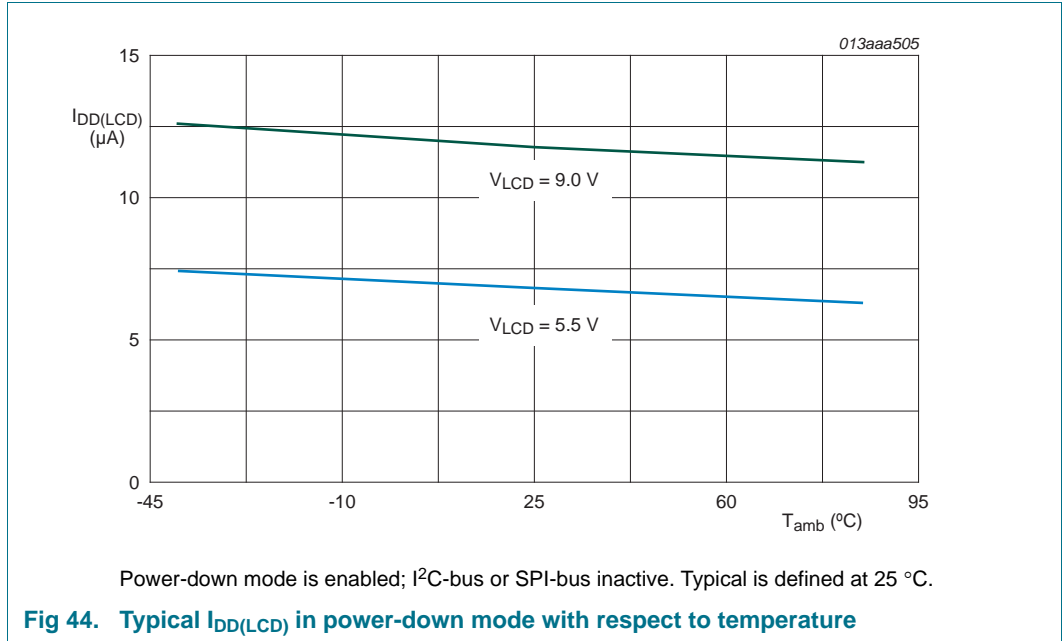
Table 43. Static characteristics ...continued

$V_{DD} = 1.8\text{ V to }5.5\text{ V}$; $V_{SS} = 0\text{ V}$; $V_{LCD} = 2.5\text{ V to }9.0\text{ V}$; $T_{amb} = -40\text{ }^{\circ}\text{C to }+85\text{ }^{\circ}\text{C}$; unless otherwise specified.

| Symbol | Parameter | Conditions | Min | Typ | Max | Unit |
|--------------------|--------------------------|--|-------|-----|-----|------------|
| LCD outputs | | | | | | |
| ΔV_O | output voltage variation | on pins BP0 to BP7 | [7] - | 2.5 | +10 | mV |
| | | on pins S0 to S43 | [8] - | 2.5 | +10 | mV |
| | | | | | | |
| R_O | output resistance | $V_{LCD} = 7\text{ V}$; on pins BP0 to BP7 | [9] - | 0.9 | 5.0 | k Ω |
| | | $V_{LCD} = 7\text{ V}$; on pins S0 to S43 | [9] - | 1.5 | 6.0 | k Ω |
| | | | | | | |

- [1] Power-down mode is enabled; I²C-bus or SPI-bus inactive.
- [2] 1:8 multiplex drive mode; 1/4 bias; display enabled; LCD outputs are open circuit; RAM is all written with logic 1; inputs at V_{SS} or V_{DD}; default display prescale factor; I²C-bus or SPI-bus inactive.
- [3] 1:8 multiplex drive mode; 1/4 bias; display enabled; LCD outputs are open circuit; RAM is all written with logic 1; inputs at V_{SS} or V_{DD}; default display prescale factor; I²C-bus or SPI-bus inactive; six PWM channels active at 50 % duty.
- [4] Strongly linked to V_{LCD} voltage. See [Figure 44](#).
- [5] 1:8 multiplex drive mode; 1/4 bias; display enabled; LCD outputs are open circuit; RAM is all written with logic 1; default display prescale factor.
- [6] The I²C-bus interface of PCF8536 is 5 V tolerant.
- [7] Variation between any two backplanes on a given voltage level; static measured.
- [8] Variation between any two segments on a given voltage level; static measured.
- [9] Outputs measured one at a time.





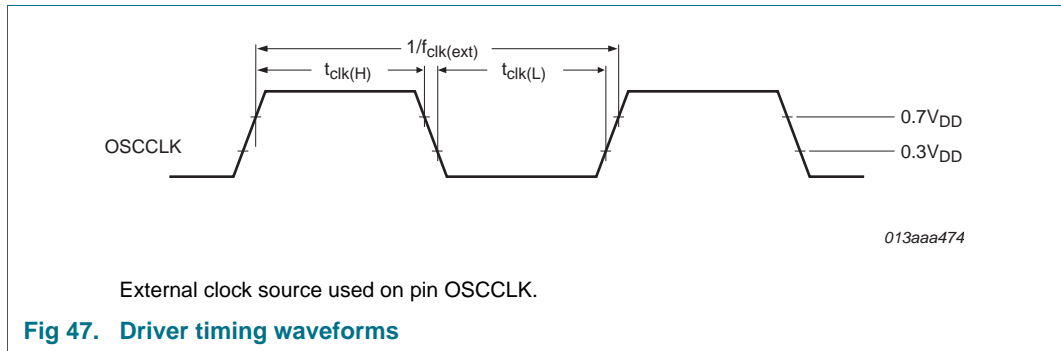
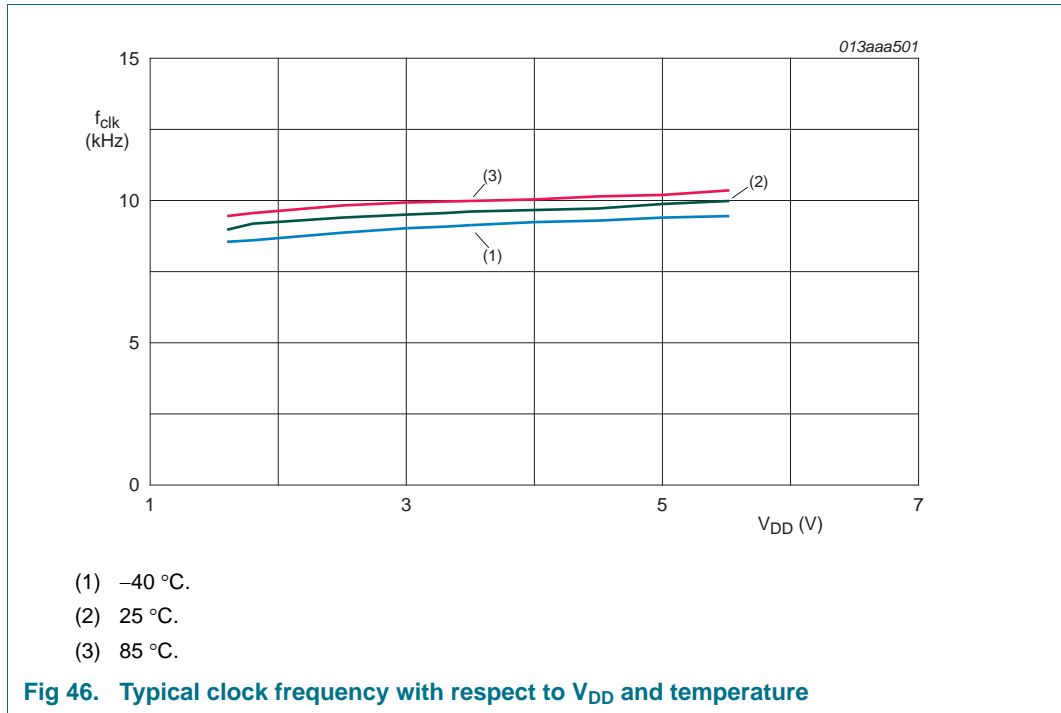
13. Dynamic characteristics

Table 44. Dynamic characteristics

$V_{DD} = 1.8\text{ V to }5.5\text{ V}$; $V_{SS} = 0\text{ V}$; $V_{LCD} = 2.5\text{ V to }9.0\text{ V}$; $T_{amb} = -40\text{ }^{\circ}\text{C to }+85\text{ }^{\circ}\text{C}$; unless otherwise specified.

| Symbol | Parameter | Conditions | Min | Typ | Max | Unit |
|---|--------------------------|---|----------|------|--------|---------------|
| f_{clk} | clock frequency | output on pin OSCCLK; $V_{DD} = 3.3\text{ V}$ | [1] 7800 | 9600 | 11040 | Hz |
| $f_{clk(ext)}$ | external clock frequency | EFR = 0 | - | - | 250000 | Hz |
| $t_{(RESET_N)}$ | RESET_N pulse width | LOW time | 400 | - | - | ns |
| External clock source used on pin OSCCLK | | | | | | |
| $t_{clk(H)}$ | clock HIGH time | | 33 | - | - | μS |
| $t_{clk(L)}$ | clock LOW time | | 33 | - | - | μS |

[1] Frequency present on OSCCLK with default display frequency division factor.



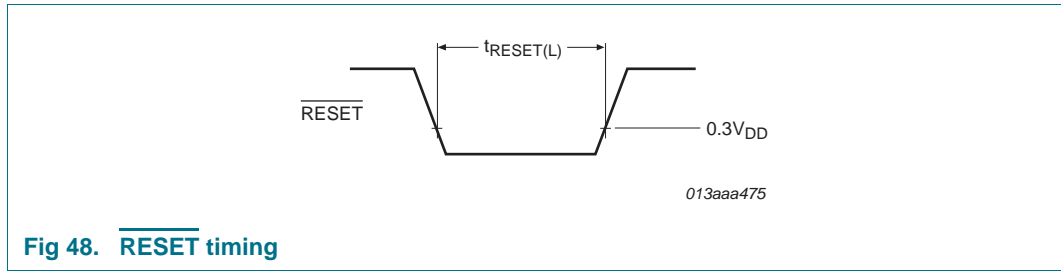


Table 45. Timing characteristics: I²C-bus

$V_{DD} = 1.8\text{ V to }5.5\text{ V}$; $V_{SS} = 0\text{ V}$; $V_{LCD} = 2.5\text{ V to }9.0\text{ V}$; $T_{amb} = -40\text{ °C to }+85\text{ °C}$; unless otherwise specified. All timing values are valid within the operating supply voltage and temperature range and referenced to V_{IL} and V_{IH} with an input voltage swing of V_{SS} to V_{DD} . Timing waveforms see [Figure 49](#).

| Symbol | Parameter | Conditions | Min | Typ | Max | Unit |
|-------------------------|---|----------------------------|---------|-----|-----|---------------|
| Pin SCL | | | | | | |
| f_{SCL} | SCL clock frequency | | [1] - | - | 400 | kHz |
| t_{LOW} | LOW period of the SCL clock | | 1.3 | - | - | μs |
| t_{HIGH} | HIGH period of the SCL clock | | 0.6 | - | - | μs |
| Pin SDA | | | | | | |
| $t_{SU;DAT}$ | data set-up time | | 100 | - | - | ns |
| $t_{HD;DAT}$ | data hold time | | 0 | - | - | ns |
| Pins SCL and SDA | | | | | | |
| t_{BUF} | bus free time between a STOP and START condition | | 1.3 | - | - | μs |
| $t_{SU;STO}$ | set-up time for STOP condition | | 0.6 | - | - | μs |
| $t_{HD;STA}$ | hold time (repeated) START condition | | 0.6 | - | - | μs |
| $t_{SU;STA}$ | set-up time for a repeated START condition | | 0.6 | - | - | μs |
| t_r | rise time of both SDA and SCL signals | $f_{SCL} = 400\text{ kHz}$ | - | - | 0.3 | μs |
| | | $f_{SCL} = 100\text{ kHz}$ | - | - | 1.0 | μs |
| t_f | fall time of both SDA and SCL signals | | - | - | 0.3 | μs |
| $t_{VD;ACK}$ | data valid acknowledge time | | [2] 0.6 | - | - | μs |
| $t_{VD;DAT}$ | data valid time | | [3] 0.6 | - | - | μs |
| C_b | capacitive load for each bus line | | - | - | 400 | pF |
| t_{SP} | pulse width of spikes that must be suppressed by the input filter | | [4] - | - | 50 | ns |

- [1] The minimum SCL clock frequency is limited by the bus time-out feature, which resets the serial bus interface if either the SDA or SCL is held LOW for a minimum of 25 ms. The bus time-out feature must be disabled for DC operation.
- [2] $t_{VD;ACK}$ = time for acknowledgement signal from SCL LOW to SDA output LOW.
- [3] $t_{VD;DAT}$ = minimum time for valid SDA output following SCL LOW.
- [4] Input filters on the SDA and SCL inputs suppress noise spikes of less than 50 ns.

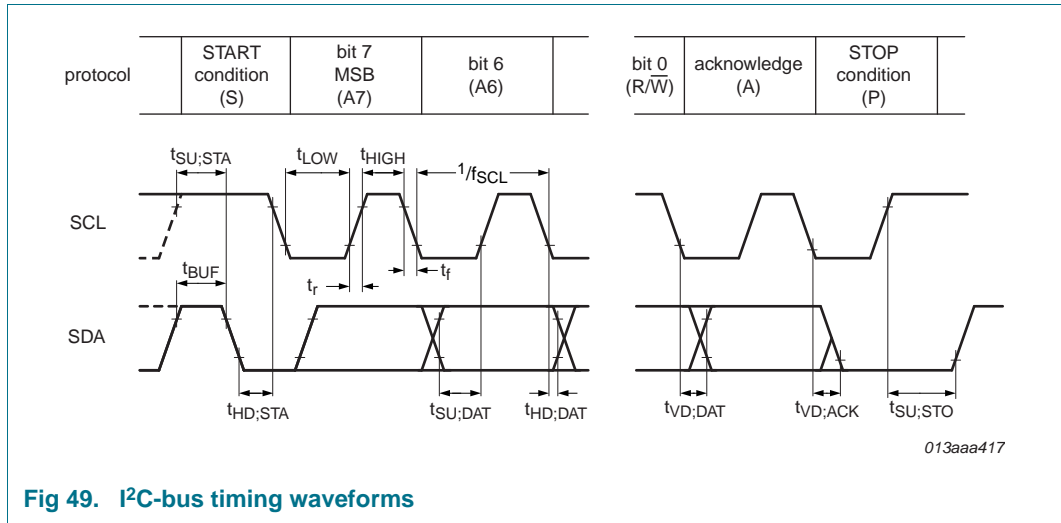


Fig 49. I²C-bus timing waveforms

Table 46. Timing characteristics: SPI-bus

$V_{DD} = 1.8\text{ V to }5.5\text{ V}$; $V_{SS} = 0\text{ V}$; $T_{amb} = -40\text{ }^{\circ}\text{C to }+85\text{ }^{\circ}\text{C}$. All timing values are valid within the operating supply voltage and temperature range and referenced to V_{IL} and V_{IH} with an input voltage swing of V_{SS} to V_{DD} . Timing waveforms see [Figure 50](#).

| Symbol | Parameter | Conditions | $V_{DD} < 2.7\text{ V}$ | | $V_{DD} \geq 2.7\text{ V}$ | | Unit |
|------------------|---------------------|--------------------------|-------------------------|-----|----------------------------|-----|------|
| | | | Min | Max | Min | Max | |
| $f_{clk(SCL)}$ | SCL clock frequency | | - | 2 | - | 5 | MHz |
| t_{SCL} | SCL time | | 500 | - | 200 | - | ns |
| $t_{clk(H)}$ | clock HIGH time | | 200 | - | 80 | - | ns |
| $t_{clk(L)}$ | clock LOW time | | 200 | - | 80 | - | ns |
| t_r | rise time | for SCL signal | - | 100 | - | 100 | ns |
| t_f | fall time | for SCL signal | - | 100 | - | 100 | ns |
| $t_{su(CE_N)}$ | CE_N set-up time | | 150 | - | 80 | - | ns |
| $t_{h(CE_N)}$ | CE_N hold time | | 0 | - | 0 | - | ns |
| $t_{rec(CE_N)}$ | CE_N recovery time | | 100 | - | 100 | - | ns |
| t_{su} | set-up time | set-up time for SDI data | 10 | - | 5 | - | ns |
| t_h | hold time | hold time for SDI data | 25 | - | 10 | - | ns |

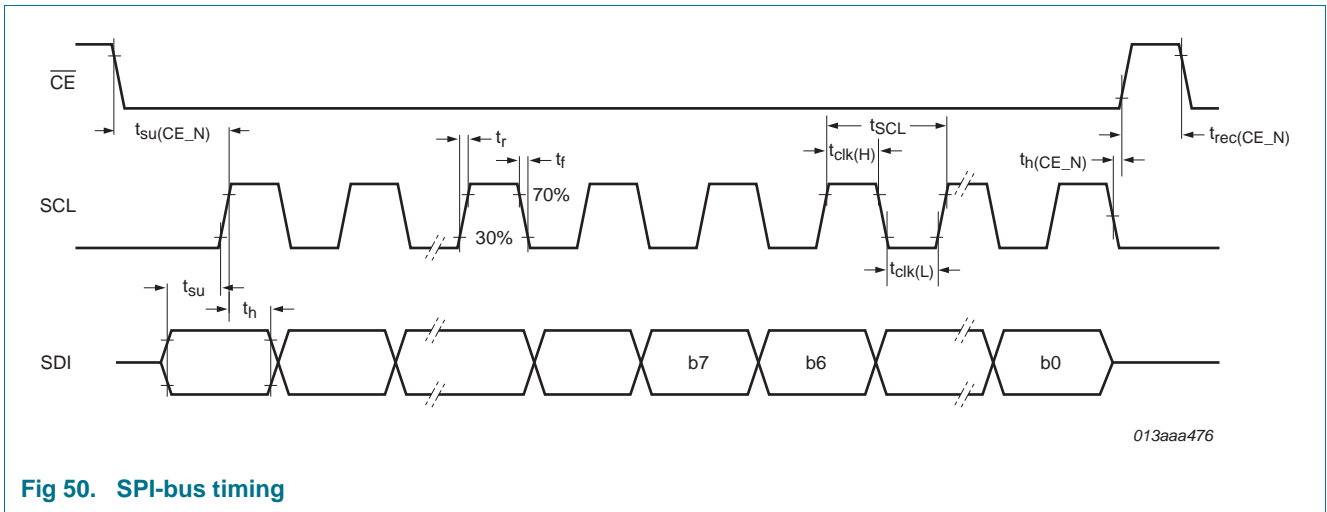


Fig 50. SPI-bus timing

14. Package outline

TSSOP56: plastic thin shrink small outline package; 56 leads; body width 6.1 mm

SOT364-1

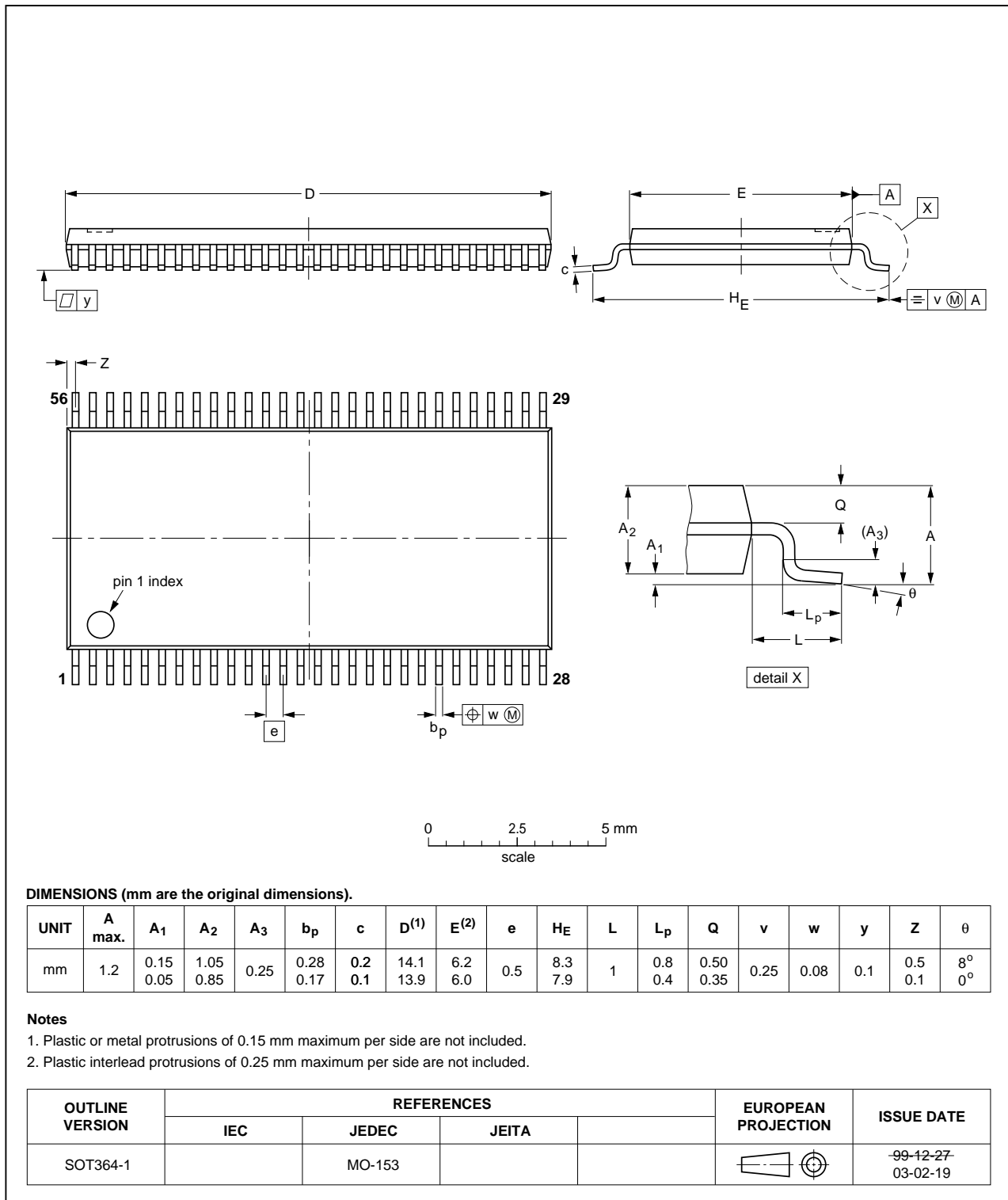


Fig 51. Package outline SOT364-1 (TSSOP56)

15. Handling information

All input and output pins are protected against ElectroStatic Discharge (ESD) under normal handling. When handling Metal-Oxide Semiconductor (MOS) devices ensure that all normal precautions are taken as described in *JESD625-A*, *IEC 61340-5* or equivalent standards.

16. Soldering of SMD packages

This text provides a very brief insight into a complex technology. A more in-depth account of soldering ICs can be found in Application Note *AN10365 "Surface mount reflow soldering description"*.

16.1 Introduction to soldering

Soldering is one of the most common methods through which packages are attached to Printed Circuit Boards (PCBs), to form electrical circuits. The soldered joint provides both the mechanical and the electrical connection. There is no single soldering method that is ideal for all IC packages. Wave soldering is often preferred when through-hole and Surface Mount Devices (SMDs) are mixed on one printed wiring board; however, it is not suitable for fine pitch SMDs. Reflow soldering is ideal for the small pitches and high densities that come with increased miniaturization.

16.2 Wave and reflow soldering

Wave soldering is a joining technology in which the joints are made by solder coming from a standing wave of liquid solder. The wave soldering process is suitable for the following:

- Through-hole components
- Leaded or leadless SMDs, which are glued to the surface of the printed circuit board

Not all SMDs can be wave soldered. Packages with solder balls, and some leadless packages which have solder lands underneath the body, cannot be wave soldered. Also, leaded SMDs with leads having a pitch smaller than ~0.6 mm cannot be wave soldered, due to an increased probability of bridging.

The reflow soldering process involves applying solder paste to a board, followed by component placement and exposure to a temperature profile. Leaded packages, packages with solder balls, and leadless packages are all reflow solderable.

Key characteristics in both wave and reflow soldering are:

- Board specifications, including the board finish, solder masks and vias
- Package footprints, including solder thieves and orientation
- The moisture sensitivity level of the packages
- Package placement
- Inspection and repair
- Lead-free soldering versus SnPb soldering

16.3 Wave soldering

Key characteristics in wave soldering are:

- Process issues, such as application of adhesive and flux, clinching of leads, board transport, the solder wave parameters, and the time during which components are exposed to the wave
- Solder bath specifications, including temperature and impurities

16.4 Reflow soldering

Key characteristics in reflow soldering are:

- Lead-free versus SnPb soldering; note that a lead-free reflow process usually leads to higher minimum peak temperatures (see [Figure 52](#)) than a SnPb process, thus reducing the process window
- Solder paste printing issues including smearing, release, and adjusting the process window for a mix of large and small components on one board
- Reflow temperature profile; this profile includes preheat, reflow (in which the board is heated to the peak temperature) and cooling down. It is imperative that the peak temperature is high enough for the solder to make reliable solder joints (a solder paste characteristic). In addition, the peak temperature must be low enough that the packages and/or boards are not damaged. The peak temperature of the package depends on package thickness and volume and is classified in accordance with [Table 47](#) and [48](#)

Table 47. SnPb eutectic process (from J-STD-020C)

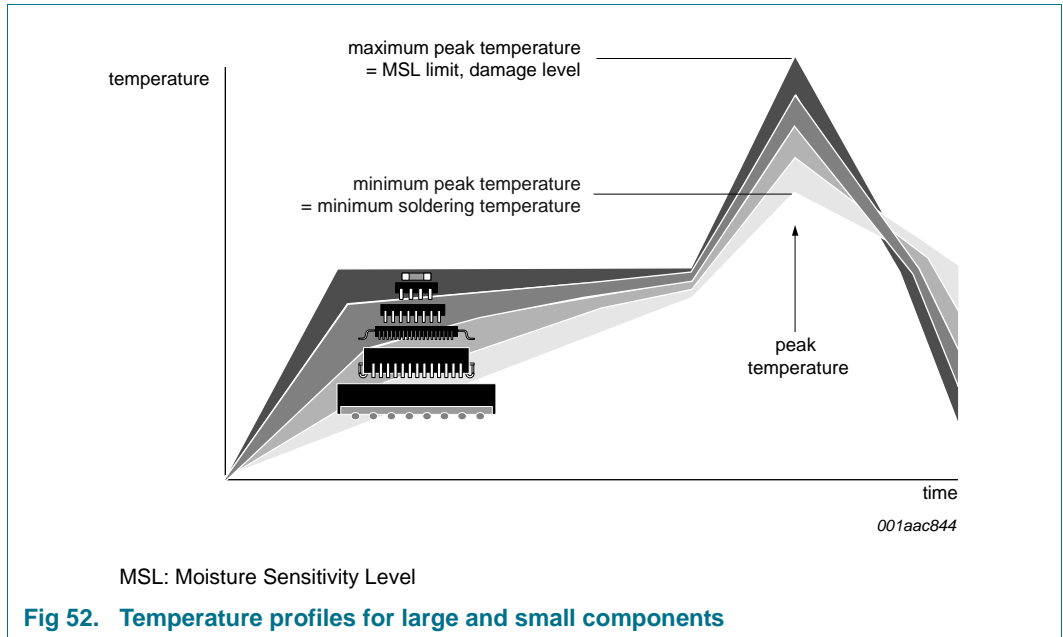
| Package thickness (mm) | Package reflow temperature (°C) | |
|------------------------|---------------------------------|-------|
| | Volume (mm ³) | |
| | < 350 | ≥ 350 |
| < 2.5 | 235 | 220 |
| ≥ 2.5 | 220 | 220 |

Table 48. Lead-free process (from J-STD-020C)

| Package thickness (mm) | Package reflow temperature (°C) | | |
|------------------------|---------------------------------|-------------|--------|
| | Volume (mm ³) | | |
| | < 350 | 350 to 2000 | > 2000 |
| < 1.6 | 260 | 260 | 260 |
| 1.6 to 2.5 | 260 | 250 | 245 |
| > 2.5 | 250 | 245 | 245 |

Moisture sensitivity precautions, as indicated on the packing, must be respected at all times.

Studies have shown that small packages reach higher temperatures during reflow soldering, see [Figure 52](#).

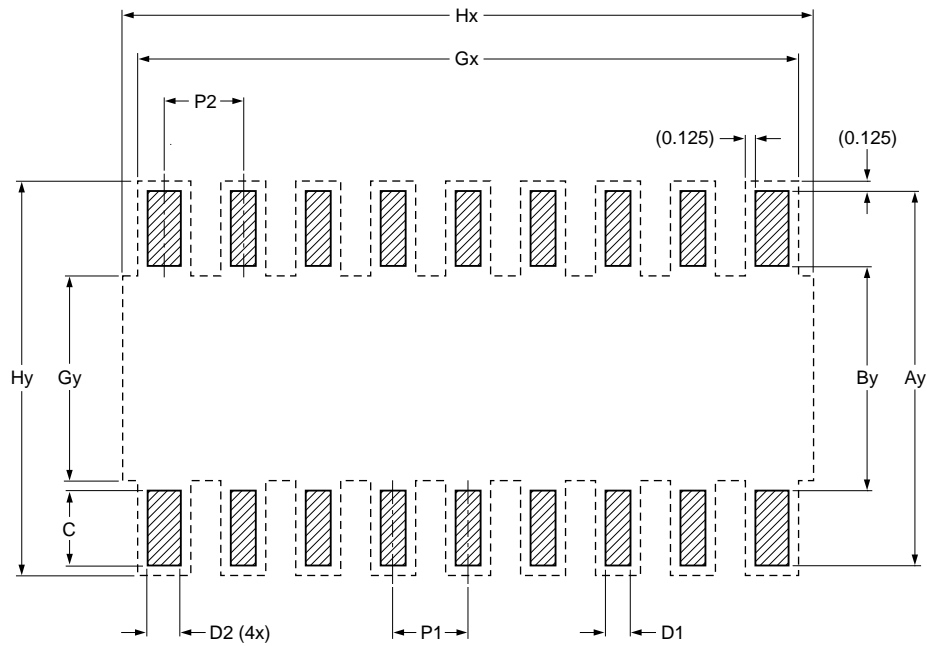


For further information on temperature profiles, refer to Application Note AN10365 “Surface mount reflow soldering description”.


17. Footprint information for reflow soldering

Footprint information for reflow soldering of TSSOP56 package

SOT364-1



Generic footprint pattern
Refer to the package outline drawing for actual layout

 solder land
 - - - - occupied area

DIMENSIONS in mm

| P1 | P2 | Ay | By | C | D1 | D2 | Gx | Gy | Hx | Hy |
|-------|-------|-------|-------|-------|-------|-------|--------|-------|--------|-------|
| 0.500 | 0.560 | 8.900 | 6.100 | 1.400 | 0.280 | 0.400 | 14.270 | 7.000 | 16.600 | 9.150 |

sot364-1_fr

Fig 53. Footprint information for reflow soldering of SOT364-1 (TSSOP56) package

18. Appendix: possible PWM and LCD frame frequency combinations to avoid flicker

Table 49. LCD and PWM frame frequency combinations to avoid flicker [1]

Experiments have shown that likely no flicker occurs when PWM frame frequency and LCD frame frequency are between 40 Hz and 50 Hz apart and no flicker occurs if they are more than 50 Hz apart.

| frame frequencies | PWM (f _{PWM}) | | | | | | | | | | | | | | | |
|-----------------------------|-------------------------|------|------|------|------|-------|-------|-------|-------|-------|-------|-------|-------|-------|-------|-------|
| LCD (f _{fr(LCD)}) | 59.9 | 69.1 | 81.7 | 89.8 | 99.8 | 112.3 | 119.8 | 128.3 | 138.2 | 149.7 | 163.4 | 179.7 | 199.7 | 224.6 | 256.7 | 299.5 |
| 59.9 | 0.0 | 9.2 | 21.8 | 29.9 | 20.0 | 7.5 | 0.0 | 8.6 | 18.4 | 29.9 | 16.3 | 0.0 | 20.0 | 15.0 | 17.1 | 0.0 |
| 70.5 | 10.6 | 1.4 | 11.2 | 19.4 | 29.4 | 28.6 | 21.1 | 12.6 | 2.7 | 8.8 | 22.4 | 31.7 | 11.7 | 13.2 | 25.2 | 17.6 |
| 79.9 | 20.0 | 10.8 | 1.8 | 10.0 | 20.0 | 32.4 | 39.9 | 31.4 | 21.5 | 10.0 | 3.6 | 20.0 | 39.9 | 15.0 | 17.1 | 20.0 |
| 90.4 | 29.4 | 21.3 | 8.7 | 0.6 | 9.4 | 21.9 | 29.4 | 37.9 | 42.6 | 31.1 | 17.5 | 1.1 | 18.8 | 43.8 | 14.5 | 28.3 |
| 99.8 | 20.0 | 30.7 | 18.2 | 10.0 | 0.0 | 12.5 | 20.0 | 28.5 | 38.4 | 49.9 | 36.3 | 20.0 | 0.0 | 25.0 | 42.8 | 0.0 |
| 108.9 | 10.9 | 29.3 | 27.2 | 19.1 | 9.1 | 3.4 | 10.9 | 19.4 | 29.3 | 40.8 | 54.5 | 38.1 | 18.2 | 6.8 | 38.9 | 27.2 |
| 119.8 | 0.0 | 18.4 | 38.1 | 29.9 | 20.0 | 7.5 | 0.0 | 8.6 | 18.4 | 29.9 | 43.6 | 59.9 | 39.9 | 15.0 | 17.1 | 59.9 |
| 129.5 | 9.7 | 8.7 | 33.8 | 39.7 | 29.7 | 17.2 | 9.7 | 1.2 | 8.7 | 20.2 | 33.8 | 50.2 | 59.4 | 34.4 | 2.3 | 40.5 |
| 140.9 | 21.1 | 2.7 | 22.4 | 38.8 | 41.1 | 28.6 | 21.1 | 12.6 | 2.7 | 8.8 | 22.4 | 38.8 | 58.7 | 57.3 | 25.2 | 17.6 |
| 149.7 | 29.9 | 11.5 | 13.6 | 29.9 | 49.9 | 37.4 | 29.9 | 21.4 | 11.5 | 0.0 | 13.6 | 29.9 | 49.9 | 74.9 | 42.8 | 0.0 |
| 159.7 | 20.0 | 21.5 | 3.6 | 20.0 | 39.9 | 47.4 | 39.9 | 31.4 | 21.5 | 10.0 | 3.6 | 20.0 | 39.9 | 64.9 | 62.7 | 20.0 |
| 171.1 | 8.6 | 32.9 | 7.8 | 8.6 | 28.5 | 53.5 | 51.3 | 42.8 | 32.9 | 21.4 | 7.8 | 8.6 | 28.5 | 53.5 | 85.6 | 42.8 |
| 177.5 | 2.2 | 29.9 | 14.1 | 2.2 | 22.2 | 47.1 | 57.7 | 49.1 | 39.2 | 27.7 | 14.1 | 2.2 | 22.2 | 47.1 | 79.2 | 55.5 |
| 184.3 | 4.6 | 23.0 | 20.9 | 4.6 | 15.4 | 40.3 | 55.3 | 55.9 | 46.1 | 34.6 | 20.9 | 4.6 | 15.4 | 40.3 | 72.4 | 69.1 |
| 191.7 | 12.0 | 15.7 | 28.3 | 12.0 | 8.0 | 32.9 | 47.9 | 63.3 | 53.4 | 41.9 | 28.3 | 12.0 | 8.0 | 32.9 | 65.0 | 83.9 |
| 199.7 | 20.0 | 7.7 | 36.3 | 20.0 | 0.0 | 25.0 | 39.9 | 57.0 | 61.4 | 49.9 | 36.3 | 20.0 | 0.0 | 25.0 | 57.0 | 99.8 |
| 208.3 | 28.6 | 1.0 | 36.7 | 28.6 | 8.7 | 16.3 | 31.3 | 48.4 | 68.1 | 58.6 | 45.0 | 28.6 | 8.7 | 16.3 | 48.4 | 91.1 |
| 217.8 | 21.8 | 10.5 | 27.2 | 38.1 | 18.2 | 6.8 | 21.8 | 38.9 | 58.6 | 68.1 | 54.5 | 38.1 | 18.2 | 6.8 | 38.9 | 81.7 |
| 228.2 | 11.4 | 20.8 | 16.9 | 41.4 | 28.5 | 3.6 | 11.4 | 28.5 | 48.3 | 71.3 | 64.8 | 48.5 | 28.5 | 3.6 | 28.5 | 71.3 |
| 239.6 | 0.0 | 32.3 | 5.4 | 29.9 | 39.9 | 15.0 | 0.0 | 17.1 | 36.9 | 59.9 | 76.2 | 59.9 | 39.9 | 15.0 | 17.1 | 59.9 |
| 252.2 | 12.6 | 24.2 | 7.2 | 17.3 | 47.3 | 27.6 | 12.6 | 4.5 | 24.2 | 47.3 | 74.5 | 72.5 | 52.5 | 27.6 | 4.5 | 47.3 |
| 266.2 | 26.6 | 10.2 | 21.2 | 3.3 | 33.3 | 41.6 | 26.6 | 9.5 | 10.2 | 33.3 | 60.5 | 86.5 | 66.6 | 41.6 | 9.5 | 33.3 |
| 281.9 | 17.6 | 5.4 | 36.8 | 12.3 | 17.6 | 55.1 | 42.3 | 25.2 | 5.4 | 17.6 | 44.8 | 77.5 | 82.2 | 57.3 | 25.2 | 17.6 |
| 299.5 | 0.0 | 23.0 | 27.2 | 29.9 | 0.0 | 37.4 | 59.9 | 42.8 | 23.0 | 0.0 | 27.2 | 59.9 | 99.8 | 74.9 | 42.8 | 0.0 |

[1] The table shows the smallest distance (Δf) from one frequency to the next or multiples of the next. $\Delta f = \text{MIN}(f1 - n \times f2)$; the values for n are 1 to 6; $f1$ and $f2$ can be either f_{PWM} or $f_{\text{fr(LCD)}}$; both relationships have to be considered. A PWM frame frequency (f_{PWM}) of less than 60 Hz may show flicker purely from the LCD.

19. Abbreviations

Table 50. Abbreviations

| Acronym | Description |
|------------------|---|
| CDM | Charged-Device Model |
| CMOS | Complementary Metal-Oxide Semiconductor |
| DC | Direct Current |
| EMC | ElectroMagnetic Compatibility |
| EPROM | Erasable Programmable Read-Only Memory |
| ESD | ElectroStatic Discharge |
| HBM | Human Body Model |
| I ² C | Inter-Integrated Circuit bus |
| IC | Integrated Circuit |
| LCD | Liquid Crystal Display |
| LED | Light-Emitting Diode |
| LSB | Least Significant Bit |
| MSB | Most Significant Bit |
| MSL | Moisture Sensitivity Level |
| MUX | Multiplexer |
| OTP | One Time Programmable |
| PCB | Printed-Circuit Board |
| POR | Power-On Reset |
| PWM | Pulse-Width Modulation |
| RC | Resistance-Capacitance |
| RAM | Random Access Memory |
| RGB | Red Green Blue |
| RMS | Root Mean Square |
| SCL | Serial CLock line |
| SDA | Serial DAta line |
| SPI | Serial Peripheral Interface |

20. References

- [1] **AN10365** — Surface mount reflow soldering description
- [2] **IEC 60134** — Rating systems for electronic tubes and valves and analogous semiconductor devices
- [3] **IEC 61340-5** — Protection of electronic devices from electrostatic phenomena
- [4] **IPC/JEDEC J-STD-020D** — Moisture/Reflow Sensitivity Classification for Nonhermetic Solid State Surface-Mount Devices
- [5] **JESD22-A114** — Electrostatic Discharge (ESD) Sensitivity Testing Human Body Model (HBM)
- [6] **JESD22-C101** — Field-Induced Charged-Device Model Test Method for Electrostatic-Discharge-Withstand Thresholds of Microelectronic Components
- [7] **JESD78** — IC Latch-Up Test
- [8] **JESD625-A** — Requirements for Handling Electrostatic-Discharge-Sensitive (ESDS) Devices
- [9] **NX3-00092** — NXP store and transport requirements
- [10] **SNV-FA-01-02** — Marking Formats Integrated Circuits
- [11] **UM10204** — I²C-bus specification and user manual

21. Revision history

Table 51. Revision history

| Document ID | Release date | Data sheet status | Change notice | Supersedes |
|----------------|---|--------------------|---------------|-------------|
| PCF8536 v.2 | 20120221 | Product Data Sheet | - | PCF8536 v.1 |
| Modifications: | <ul style="list-style-type: none"> • Fixed typos | | | |
| PCF8536 v.1 | 20111006 | Product Data Sheet | - | - |

22. Legal information

22.1 Data sheet status

| Document status ^{[1][2]} | Product status ^[3] | Definition |
|-----------------------------------|-------------------------------|---|
| Objective [short] data sheet | Development | This document contains data from the objective specification for product development. |
| Preliminary [short] data sheet | Qualification | This document contains data from the preliminary specification. |
| Product [short] data sheet | Production | This document contains the product specification. |

[1] Please consult the most recently issued document before initiating or completing a design.

[2] The term 'short data sheet' is explained in section "Definitions".

[3] The product status of device(s) described in this document may have changed since this document was published and may differ in case of multiple devices. The latest product status information is available on the Internet at URL <http://www.nxp.com>.

22.2 Definitions

Draft — The document is a draft version only. The content is still under internal review and subject to formal approval, which may result in modifications or additions. NXP Semiconductors does not give any representations or warranties as to the accuracy or completeness of information included herein and shall have no liability for the consequences of use of such information.

Short data sheet — A short data sheet is an extract from a full data sheet with the same product type number(s) and title. A short data sheet is intended for quick reference only and should not be relied upon to contain detailed and full information. For detailed and full information see the relevant full data sheet, which is available on request via the local NXP Semiconductors sales office. In case of any inconsistency or conflict with the short data sheet, the full data sheet shall prevail.

Product specification — The information and data provided in a Product data sheet shall define the specification of the product as agreed between NXP Semiconductors and its customer, unless NXP Semiconductors and customer have explicitly agreed otherwise in writing. In no event however, shall an agreement be valid in which the NXP Semiconductors product is deemed to offer functions and qualities beyond those described in the Product data sheet.

22.3 Disclaimers

Limited warranty and liability — Information in this document is believed to be accurate and reliable. However, NXP Semiconductors does not give any representations or warranties, expressed or implied, as to the accuracy or completeness of such information and shall have no liability for the consequences of use of such information. NXP Semiconductors takes no responsibility for the content in this document if provided by an information source outside of NXP Semiconductors.

In no event shall NXP Semiconductors be liable for any indirect, incidental, punitive, special or consequential damages (including - without limitation - lost profits, lost savings, business interruption, costs related to the removal or replacement of any products or rework charges) whether or not such damages are based on tort (including negligence), warranty, breach of contract or any other legal theory.

Notwithstanding any damages that customer might incur for any reason whatsoever, NXP Semiconductors' aggregate and cumulative liability towards customer for the products described herein shall be limited in accordance with the *Terms and conditions of commercial sale* of NXP Semiconductors.

Right to make changes — NXP Semiconductors reserves the right to make changes to information published in this document, including without limitation specifications and product descriptions, at any time and without notice. This document supersedes and replaces all information supplied prior to the publication hereof.

Suitability for use — NXP Semiconductors products are not designed, authorized or warranted to be suitable for use in life support, life-critical or safety-critical systems or equipment, nor in applications where failure or malfunction of an NXP Semiconductors product can reasonably be expected to result in personal injury, death or severe property or environmental damage. NXP Semiconductors and its suppliers accept no liability for inclusion and/or use of NXP Semiconductors products in such equipment or applications and therefore such inclusion and/or use is at the customer's own risk.

Applications — Applications that are described herein for any of these products are for illustrative purposes only. NXP Semiconductors makes no representation or warranty that such applications will be suitable for the specified use without further testing or modification.

Customers are responsible for the design and operation of their applications and products using NXP Semiconductors products, and NXP Semiconductors accepts no liability for any assistance with applications or customer product design. It is customer's sole responsibility to determine whether the NXP Semiconductors product is suitable and fit for the customer's applications and products planned, as well as for the planned application and use of customer's third party customer(s). Customers should provide appropriate design and operating safeguards to minimize the risks associated with their applications and products.

NXP Semiconductors does not accept any liability related to any default, damage, costs or problem which is based on any weakness or default in the customer's applications or products, or the application or use by customer's third party customer(s). Customer is responsible for doing all necessary testing for the customer's applications and products using NXP Semiconductors products in order to avoid a default of the applications and the products or of the application or use by customer's third party customer(s). NXP does not accept any liability in this respect.

Limiting values — Stress above one or more limiting values (as defined in the Absolute Maximum Ratings System of IEC 60134) will cause permanent damage to the device. Limiting values are stress ratings only and (proper) operation of the device at these or any other conditions above those given in the Recommended operating conditions section (if present) or the Characteristics sections of this document is not warranted. Constant or repeated exposure to limiting values will permanently and irreversibly affect the quality and reliability of the device.

Terms and conditions of commercial sale — NXP Semiconductors products are sold subject to the general terms and conditions of commercial sale, as published at <http://www.nxp.com/profile/terms>, unless otherwise agreed in a valid written individual agreement. In case an individual agreement is concluded only the terms and conditions of the respective agreement shall apply. NXP Semiconductors hereby expressly objects to applying the customer's general terms and conditions with regard to the purchase of NXP Semiconductors products by customer.

No offer to sell or license — Nothing in this document may be interpreted or construed as an offer to sell products that is open for acceptance or the grant, conveyance or implication of any license under any copyrights, patents or other industrial or intellectual property rights.

Export control — This document as well as the item(s) described herein may be subject to export control regulations. Export might require a prior authorization from competent authorities.

Non-automotive qualified products — Unless this data sheet expressly states that this specific NXP Semiconductors product is automotive qualified, the product is not suitable for automotive use. It is neither qualified nor tested in accordance with automotive testing or application requirements. NXP Semiconductors accepts no liability for inclusion and/or use of non-automotive qualified products in automotive equipment or applications.

In the event that customer uses the product for design-in and use in automotive applications to automotive specifications and standards, customer (a) shall use the product without NXP Semiconductors' warranty of the product for such automotive applications, use and specifications, and (b) whenever customer uses the product for automotive applications beyond NXP Semiconductors' specifications such use shall be solely at customer's

own risk, and (c) customer fully indemnifies NXP Semiconductors for any liability, damages or failed product claims resulting from customer design and use of the product for automotive applications beyond NXP Semiconductors' standard warranty and NXP Semiconductors' product specifications.

Translations — A non-English (translated) version of a document is for reference only. The English version shall prevail in case of any discrepancy between the translated and English versions.

22.4 Trademarks

Notice: All referenced brands, product names, service names and trademarks are the property of their respective owners.

I²C-bus — logo is a trademark of NXP B.V.

23. Contact information

For more information, please visit: <http://www.nxp.com>

For sales office addresses, please send an email to: salesaddresses@nxp.com

24. Contents

| | | | | | |
|----------|--|----------|-----------|---|-----------|
| 1 | General description | 1 | 8.9 | Display RAM | 35 |
| 2 | Features and benefits | 1 | 8.9.1 | Data pointer (LCD part) | 36 |
| 3 | Applications | 2 | 8.9.2 | RAM filling in 1:4 multiplex drive mode | 37 |
| 4 | Ordering information | 2 | 8.9.3 | RAM filling in 1:6 multiplex drive mode | 38 |
| 5 | Marking | 2 | 8.9.4 | RAM filling in 1:8 multiplex drive mode | 40 |
| 6 | Block diagram | 3 | 8.10 | PWM registers and data pointer (PWM part) | 40 |
| 7 | Pinning information | 5 | 8.11 | GPO output | 41 |
| 7.1 | Pinning | 5 | 8.11.1 | RGB color driving | 43 |
| 7.2 | Pin description | 6 | 8.11.2 | PWM inversion mode | 45 |
| 8 | Functional description | 7 | 9 | Bus interfaces | 46 |
| 8.1 | Commands of PCF8536 | 7 | 9.1 | Control byte and register selection | 46 |
| 8.1.1 | Command: initialize | 7 | 9.2 | I ² C-bus interface | 46 |
| 8.1.2 | Command: OTP-refresh | 8 | 9.2.1 | Bit transfer | 47 |
| 8.1.3 | Command: PWM-inversion | 8 | 9.2.2 | START and STOP conditions | 47 |
| 8.1.4 | Command: mode-settings | 9 | 9.2.3 | System configuration | 47 |
| 8.1.4.1 | Backplane swapping | 9 | 9.2.4 | Acknowledge | 48 |
| 8.1.4.2 | Line inversion (driving scheme A) and frame inversion (driving scheme B) | 10 | 9.2.5 | I ² C-bus controller | 48 |
| 8.1.4.3 | Power-down mode | 10 | 9.2.6 | Input filters | 48 |
| 8.1.4.4 | Display enable | 12 | 9.2.7 | I ² C-bus slave address | 49 |
| 8.1.5 | Command: oscillator-control | 12 | 9.2.8 | I ² C-bus protocol | 49 |
| 8.1.5.1 | Oscillator | 13 | 9.2.8.1 | Status read out | 50 |
| 8.1.5.2 | Timing and frame frequency | 15 | 9.3 | SPI-bus interface | 51 |
| 8.1.6 | Command: GPO-output-config | 15 | 9.3.1 | Data transmission | 51 |
| 8.1.7 | Command: set-MUX-mode | 16 | 10 | Internal circuitry | 53 |
| 8.1.8 | Command: set-bias-mode | 16 | 11 | Limiting values | 54 |
| 8.1.9 | Command: frame-frequency-LCD | 16 | 12 | Static characteristics | 55 |
| 8.1.10 | Command: frame-frequency-PWM | 18 | 13 | Dynamic characteristics | 59 |
| 8.1.11 | Command: GPO-static-data | 19 | 14 | Package outline | 63 |
| 8.1.12 | Command: load-data-pointer-LCD | 20 | 15 | Handling information | 64 |
| 8.1.13 | Command: load-data-pointer-PWM | 20 | 16 | Soldering of SMD packages | 64 |
| 8.1.14 | Command: write-RAM-data | 20 | 16.1 | Introduction to soldering | 64 |
| 8.1.15 | Command: write-PWM-data | 21 | 16.2 | Wave and reflow soldering | 64 |
| 8.2 | Start-up and shut-down | 21 | 16.3 | Wave soldering | 65 |
| 8.2.1 | Reset and Power-On Reset (POR) | 21 | 16.4 | Reflow soldering | 65 |
| 8.2.2 | RESET pin function | 22 | 17 | Footprint information for reflow soldering | 66 |
| 8.2.3 | Recommended start-up sequences | 22 | 18 | Appendix: possible PWM and LCD frame frequency combinations to avoid flicker | 68 |
| 8.3 | Possible display configurations | 25 | 19 | Abbreviations | 69 |
| 8.4 | LCD voltage selector | 26 | 20 | References | 70 |
| 8.4.1 | Electro-optical performance | 28 | 21 | Revision history | 70 |
| 8.5 | LCD drive mode waveforms | 29 | 22 | Legal information | 71 |
| 8.5.1 | 1:4 Multiplex drive mode | 29 | 22.1 | Data sheet status | 71 |
| 8.5.2 | 1:6 Multiplex drive mode | 30 | 22.2 | Definitions | 71 |
| 8.5.3 | 1:8 Multiplex drive mode | 32 | 22.3 | Disclaimers | 71 |
| 8.6 | Display register | 34 | 22.4 | Trademarks | 72 |
| 8.7 | Backplane outputs | 34 | | | |
| 8.8 | Segment outputs | 34 | | | |

continued >>

| | | |
|----|--------------------------|----|
| 23 | Contact information..... | 72 |
| 24 | Contents | 73 |

Please be aware that important notices concerning this document and the product(s) described herein, have been included in section 'Legal information'.

© NXP B.V. 2012.

All rights reserved.

For more information, please visit: <http://www.nxp.com>

For sales office addresses, please send an email to: salesaddresses@nxp.com

Date of release: 21 February 2012

Document identifier: PCF8536

Mouser Electronics

Authorized Distributor

Click to View Pricing, Inventory, Delivery & Lifecycle Information:

[NXP:](#)

[PCF8536AT/1,118](#) [PCF8536BT/1,118](#)