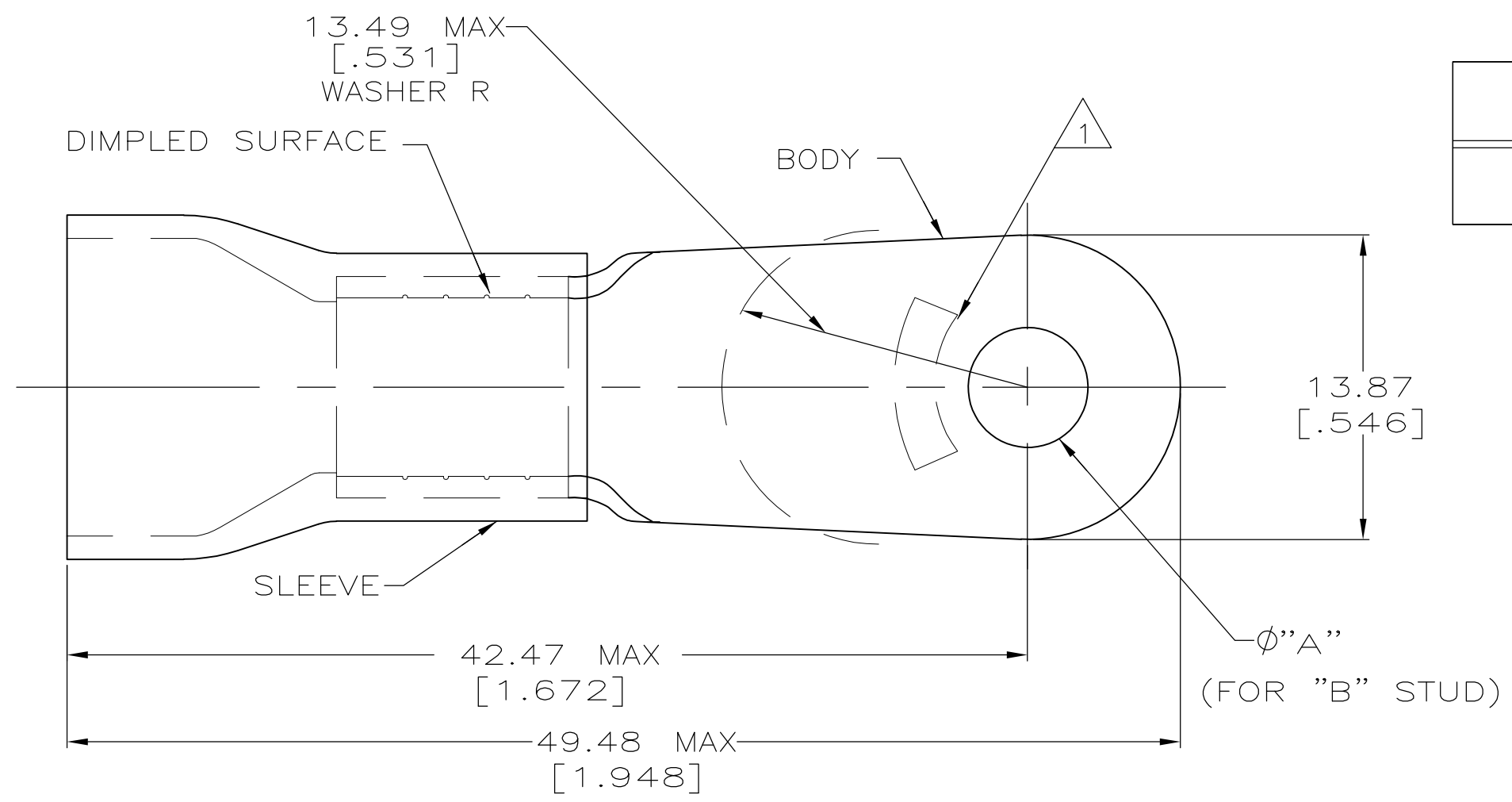


THIS DRAWING IS UNPUBLISHED. RELEASED FOR PUBLICATION
 © COPYRIGHT BY TYCO ELECTRONICS CORPORATION. ALL INTERNATIONAL RIGHTS RESERVED.

LOC	DIST	REVISIONS					
G	14	P	LTR	DESCRIPTION	DATE	DWN	APVD
		L1		REVISED PER ECO-11-002228	11FEB11	HMR	DR



AMP WIRE RANGE	AW FILE E13288	SR LR7189 Certified
4 AWG STRANDED	4 AWG STRANDED	4 AWG STRANDED

- 1 STAMP AMP 4* LOCATE APPROX AS SHOWN
- 2 TONGUE MATERIAL THK 1.22±0.08 [.048±.003]
- 3 SEE TABLE FOR WIRE INSULATION DIA MAX
- 4 TAPE ITEMS ARE ON 30.48 [1.200] CENTERS
- 5 NOTE DELETED
- 6 OBSOLETE

WIRE INSULATION DIA	"B"	"A"	QTY	PACKAGE TYPE	PART NO
11.43 [.450]	1/4	6.73±0.13 [.265±.005]	20	LOOSE PC, BOX SPL	8-52043-5 ⁶
			50	LOOSE PC, BOX	8-52043-2 ⁶
13.08 [.515]	#10	5.00±0.08 [.197±.003]	500	ON TAPE	52043-7
					52043-5
					52043-4
11.43 [.450]	1/4	6.73±0.13 [.265±.005]	100	LOOSE PC	52043-3
	#10	5.00±0.08 [.197±.003]			52043-2
13.08 [.515]	1/4	6.73±0.13 [.265±.005]			52043-1
	#10	5.00±0.08 [.197±.003]			52043

AMP INCORPORATED CUSTOMER SERVICE SYSTEMS		MAX RECOMMENDED OPERATING TEMPERATURE: 105° C
FOR ADDITIONAL PRODUCT INFORMATION OR COPIES OF DRAWINGS AND TECHNICAL DOCUMENTS	PRODUCT INFORMATION CENTER 1-800-522-6752	VOLTAGE RATING: 600 V MAX
FOR APPLICATION TOOLING INFORMATION	TOOLING ASSISTANCE CENTER 1-800-722-1111	CIRCULAR MIL AREA: 16.77-26.65mm ² [33,100-52,600] STRANDED
FOR ORDER ENTRY	1-800-526-5142	THIS DRAWING IS A CONTROLLED DOCUMENT FOR AMP INCORPORATED. IT IS SUBJECT TO CHANGE AND THE CONTROLLING ENGINEERING ORGANIZATION SHOULD BE CONTACTED FOR THE LATEST REVISION.

THIS DRAWING IS A CONTROLLED DOCUMENT.

DIMENSIONS:	TOLERANCES UNLESS OTHERWISE SPECIFIED:
mm [INCHES]	
	0 PLC ± -
	1 PLC ± -
	2 PLC ± 0.20[.008]
	3 PLC ± -
	4 PLC ± -
	ANGLES ± -

MATERIAL: COPPER PER ASTM B-152
PVC, COLOR: YELLOW

FINISH: TIN PLATE PER ASTM-B545

THIS DRAWING IS A CONTROLLED DOCUMENT.

DWN S.S. GOULDEN 9-28-93
CHK R. HERSEY 9-28-93
APVD B. BARE 9-28-93

Tyco Electronics Tyco Electronics Corporation
Harrisburg, PA 17105-3608

NAME: TERMINAL, RING TONGUE, PLASTI-GRIP™, WIRE SIZE: 4 AWG

PRODUCT SPEC: NOT AVAILABLE

APPLICATION SPEC: 114-2161

WEIGHT: -

SIZE: A3 CAGE CODE: 00779 DRAWING NO: C-52043 RESTRICTED TO: -

CUSTOMER DRAWING SCALE: 4:1 SHEET: 1 OF 1 REV: L1

Mouser Electronics

Authorized Distributor

Click to View Pricing, Inventory, Delivery & Lifecycle Information:

[TE Connectivity:](#)

[52043-1](#)