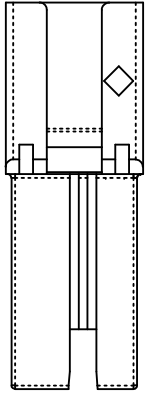


- NOTES:**
- MATERIAL-  
BACKSHELLS - ZINC DIECAST  
PULL - MOLDED PLASTIC
  - LENGTH- SEE TABLE
  - ELECTRICAL PERFORMANCE PER SERIAL ATTACH SCSI 1.1
  - PLUG MATES TO RECEPTACLE 75586 SERIES, AND EMI HOUSING ASSY, 74548-0100
  - RoHS COMPLIANT, NO EXEMPTIONS
  - LABEL DETAILS  
MOLEX  
74547-XXXX  
MADE IN CHINA  
YY/WW (LAST TWO DIGITS OF YEAR/WEEK OF YEAR)

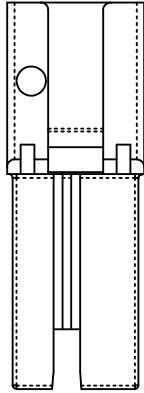
I-PASS™ IS A TRADEMARK OF MOLEX

ADDED LABEL EC NO: CPG2013-3501 DRWN:IPRATT 2013/05/15 CHKD:PSYTSMA 2013/05/15 APPR:RMKHAN 2013/05/28	QUALITY SYMBOLS ▽=0 ▽=0	GENERAL TOLERANCES (UNLESS SPECIFIED)		DIMENSION STYLE MM ONLY		SCALE 1:1	DESIGN UNITS METRIC	THIRD ANGLE PROJECTION																	
		<table border="1"> <tr> <th></th> <th>mm</th> <th>INCH</th> </tr> <tr> <td>4 PLACES</td> <td>± ---</td> <td>± ---</td> </tr> <tr> <td>3 PLACES</td> <td>± ---</td> <td>± ---</td> </tr> <tr> <td>2 PLACES</td> <td>± 0.13</td> <td>± ---</td> </tr> <tr> <td>1 PLACE</td> <td>± 0.25</td> <td>± ---</td> </tr> </table>			mm	INCH	4 PLACES	± ---	± ---	3 PLACES	± ---	± ---	2 PLACES	± 0.13	± ---	1 PLACE	± 0.25	± ---	DRAWN BY DATE KPHILLIPS 2005/28/07 CHECKED BY DATE BREED 2005/28/07 APPROVED BY DATE DDOYE 2005/28/07		TITLE I-PASS 26 CKT EXTERNAL CABLE ASSEMBLY, PLUG TO PLUG		MOLEX MOLEX INCORPORATED		SHEET NO. 1 OF 4
			mm	INCH																					
		4 PLACES	± ---	± ---																					
3 PLACES	± ---	± ---																							
2 PLACES	± 0.13	± ---																							
1 PLACE	± 0.25	± ---																							
DRAFT WHERE APPLICABLE MUST REMAIN WITHIN DIMENSIONS		SEE CHART		DOCUMENT NO. SD-74547-100																					
		SIZE B		THIS DRAWING CONTAINS INFORMATION THAT IS PROPRIETARY TO MOLEX INCORPORATED AND SHOULD NOT BE USED WITHOUT WRITTEN PERMISSION																					

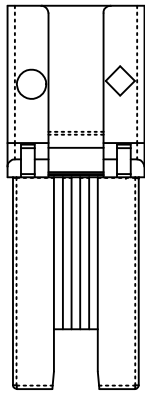
KEYING IDENTIFIER  
SAS



4, 2  
TABLE  
ROUTING



6, 4  
SUBSTRACTIVE  
ROUTING



6, 4, 2  
UNIVERSAL  
KEY

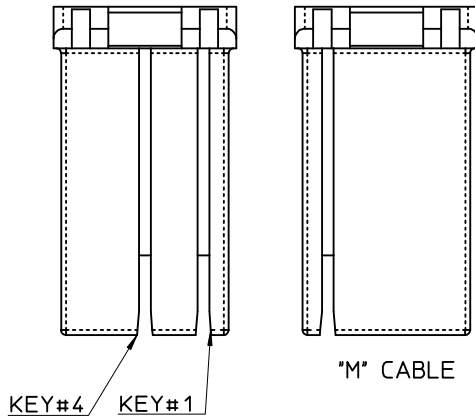
MATERIAL NUMBER	DESCRIPTION	GAUGE	LENGTH	TOLERANCE	KEY	IDENTIFIER
745470101	X4 SAS CABLE ASSEMBLY	28 AWG	1M	±.03	2,4	TABLE ROUTING (OUT PORT), SAS
745470102	X4 SAS CABLE ASSEMBLY	28 AWG	2M	±.03	2,4	TABLE ROUTING (OUT PORT), SAS
745470103	X4 SAS CABLE ASSEMBLY	28 AWG	3M	±.06	2,4	TABLE ROUTING (OUT PORT), SAS
745470104	X4 SAS CABLE ASSEMBLY	28 AWG	4M	±.06	2,4	TABLE ROUTING (OUT PORT), SAS
745470105	X4 SAS CABLE ASSEMBLY	26 AWG	5M	±.09	2,4	TABLE ROUTING (OUT PORT), SAS
745470106	X4 SAS CABLE ASSEMBLY	24 AWG	6M	±.09	2,4	TABLE ROUTING (OUT PORT), SAS
745470107	X4 SAS CABLE ASSEMBLY	24 AWG	7M $\Delta$	±.12	2,4	TABLE ROUTING (OUT PORT), SAS
745470108	X4 SAS CABLE ASSEMBLY	24 AWG	8M $\Delta$	±.12	2,4	TABLE ROUTING (OUT PORT), SAS
745470109	X4 SAS CABLE ASSEMBLY	28 AWG	0.25M	±.03	2,4	TABLE ROUTING (OUT PORT), SAS
745470110	X4 SAS CABLE ASSEMBLY	28 AWG	0.5M	±.03	2,4	TABLE ROUTING (OUT PORT), SAS
745470201	X4 SAS CABLE ASSEMBLY	28 AWG	1M	±.03	4,6	SUBSTRACTIVE ROUTING (IN PORT), SAS
745470202	X4 SAS CABLE ASSEMBLY	28 AWG	2M	±.03	4,6	SUBSTRACTIVE ROUTING (IN PORT), SAS
745470203	X4 SAS CABLE ASSEMBLY	28 AWG	3M	±.06	4,6	SUBSTRACTIVE ROUTING (IN PORT), SAS
745470204	X4 SAS CABLE ASSEMBLY	28 AWG	4M	±.06	4,6	SUBSTRACTIVE ROUTING (IN PORT), SAS
745470205	X4 SAS CABLE ASSEMBLY	26 AWG	5M	±.09	4,6	SUBSTRACTIVE ROUTING (IN PORT), SAS
745470206	X4 SAS CABLE ASSEMBLY	24 AWG	6M	±.09	4,6	SUBSTRACTIVE ROUTING (IN PORT), SAS
745470207	X4 SAS CABLE ASSEMBLY	24 AWG	7M $\Delta$	±.12	4,6	SUBSTRACTIVE ROUTING (IN PORT), SAS
745470208	X4 SAS CABLE ASSEMBLY	24 AWG	8M $\Delta$	±.12	4,6	SUBSTRACTIVE ROUTING (IN PORT), SAS
745470209	X4 SAS CABLE ASSEMBLY	28 AWG	0.25M	±.03	4,6	SUBSTRACTIVE ROUTING (IN PORT), SAS
745470210	X4 SAS CABLE ASSEMBLY	28 AWG	0.5M	±.03	4,6	SUBSTRACTIVE ROUTING (IN PORT), SAS
745470301	X4 SAS CABLE ASSEMBLY	28 AWG	1M	±.03	2,4,6	UNIVERSAL KEY, SAS
745470302	X4 SAS CABLE ASSEMBLY	28 AWG	2M	±.03	2,4,6	UNIVERSAL KEY, SAS
745470303	X4 SAS CABLE ASSEMBLY	28 AWG	3M	±.06	2,4,6	UNIVERSAL KEY, SAS
745470304	X4 SAS CABLE ASSEMBLY	28 AWG	4M	±.06	2,4,6	UNIVERSAL KEY, SAS
745470305	X4 SAS CABLE ASSEMBLY	26 AWG	5M	±.09	2,4,6	UNIVERSAL KEY, SAS
745470306	X4 SAS CABLE ASSEMBLY	24 AWG	6M	±.09	2,4,6	UNIVERSAL KEY, SAS
745470307	X4 SAS CABLE ASSEMBLY	24 AWG	7M $\Delta$	±.12	2,4,6	UNIVERSAL KEY, SAS
745470308	X4 SAS CABLE ASSEMBLY	24 AWG	8M $\Delta$	±.12	2,4,6	UNIVERSAL KEY, SAS
745470309	X4 SAS CABLE ASSEMBLY	28 AWG	0.25M	±.03	2,4,6	UNIVERSAL KEY, SAS
745470310	X4 SAS CABLE ASSEMBLY	28 AWG	0.5M	±.03	2,4,6	UNIVERSAL KEY, SAS
745470311	X4 SAS CABLE ASSEMBLY	30 AWG	0.5M	±.03	2,4,6	UNIVERSAL KEY, SAS
745470350	X4 SAS CABLE ASSEMBLY	24 AWG	10M $\Delta$	±.15	2,4,6	UNIVERSAL KEY, SAS
MATERIAL NUMBER	DESCRIPTION	GAUGE	LENGTH	TOLERANCE	KEY	IDENTIFIER
					P1 - P2	
745470119	X4 SAS CABLE ASSEMBLY	28 AWG	0.5M	±.03	2,4-4,6	SAS, TABLE ROUTING (OUT PORT), TO SUBSTRACTIVE ROUTING (IN PORT)
745470120	X4 SAS CABLE ASSEMBLY	28 AWG	1M	±.03	2,4-4,6	SAS, TABLE ROUTING (OUT PORT), TO SUBSTRACTIVE ROUTING (IN PORT)
745470121	X4 SAS CABLE ASSEMBLY	28 AWG	2M	±.06	2,4-4,6	SAS, TABLE ROUTING (OUT PORT), TO SUBSTRACTIVE ROUTING (IN PORT)
745470122	X4 SAS CABLE ASSEMBLY	28 AWG	3M	±.06	2,4-4,6	SAS, TABLE ROUTING (OUT PORT), TO SUBSTRACTIVE ROUTING (IN PORT)
745470123	X4 SAS CABLE ASSEMBLY	28 AWG	4M	±.03	2,4-4,6	SAS, TABLE ROUTING (OUT PORT), TO SUBSTRACTIVE ROUTING (IN PORT)
745470124	X4 SAS CABLE ASSEMBLY	26 AWG	5M	±.09	2,4-4,6	SAS, TABLE ROUTING (OUT PORT), TO SUBSTRACTIVE ROUTING (IN PORT)
745470125	X4 SAS CABLE ASSEMBLY	24 AWG	6M	±.09	2,4-4,6	SAS, TABLE ROUTING (OUT PORT), TO SUBSTRACTIVE ROUTING (IN PORT)

$\Delta$  - NOT COMPLIANT WITH INSERTION  
LOSS SPEC PER SAS 1.1

IPASS™ IS A TRADEMARK OF MOLEX

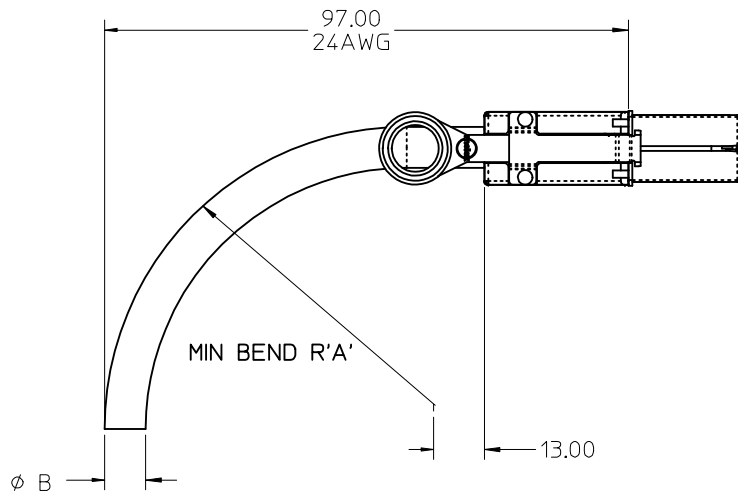
<b>ADDED LABEL</b> EC NO: CPG2013-3501 DRWN:TPRATT 2013/05/15 CHKD:SYTSHA 2013/05/15 APPR:RMKHAH 2013/05/28 R	QUALITY SYMBOLS $\nabla=0$ $\nabla=0$	GENERAL TOLERANCES (UNLESS SPECIFIED)		DIMENSION STYLE <b>MM ONLY</b>		SCALE 1:1	DESIGN UNITS METRIC	THIRD ANGLE PROJECTION	
		mm      INCH	DRAWN BY KPHILLIPS	DATE 2005/28/07	TITLE <b>I-PASS 26 CKT EXTERNAL CABLE ASSEMBLY, PLUG TO PLUG</b>				
		4 PLACES ± --- ± --- 3 PLACES ± --- ± --- 2 PLACES ± 0.13 ± --- 1 PLACE ± 0.25 ± ---	CHECKED BY BREED	DATE 2005/28/07	MOLEX MOLEX INCORPORATED				
		ANGULAR ± 1/2°	APPROVED BY DDOYE	DATE 2005/28/07	MATERIAL NO. SEE TABLE	DOCUMENT NO. SD-74547-100	SHEET NO. 2 OF 4		
DRAFT WHERE APPLICABLE MUST REMAIN WITHIN DIMENSIONS				THIS DRAWING CONTAINS INFORMATION THAT IS PROPRIETARY TO MOLEX INCORPORATED AND SHOULD NOT BE USED WITHOUT WRITTEN PERMISSION					

10 9 8 7 6 5 4 3 2 1



MATERIAL NUMBER	DESCRIPTION	GAUGE	LENGTH	TOLERANCE	KEY	IDENTIFIER
745470001	X4 SATA CABLE ASSEMBLY	28 AWG	1M	±.03	1,4	X CABLE, SATA
745470002	X4 SATA CABLE ASSEMBLY	28 AWG	2M	±.03	1,4	X CABLE, SATA
745470003	X4 SATA CABLE ASSEMBLY	28 AWG	3M	±.06	1,4	X CABLE, SATA
745470004	X4 SATA CABLE ASSEMBLY	28 AWG	4M	±.06	1,4	X CABLE, SATA
745470005	X4 SATA CABLE ASSEMBLY	26 AWG	5M	±.09	1,4	X CABLE, SATA
745470006	X4 SATA CABLE ASSEMBLY	24 AWG	6M	±.09	1,4	X CABLE, SATA
745470007	X4 SATA CABLE ASSEMBLY	24 AWG	7M△	±.12	1,4	X CABLE, SATA
745470008	X4 SATA CABLE ASSEMBLY	24 AWG	8M△	±.12	1,4	X CABLE, SATA
745470009	X4 SATA CABLE ASSEMBLY	28 AWG	0.25M	±.03	1,4	X CABLE, SATA
745470011	X4 SATA CABLE ASSEMBLY	28 AWG	0.5M	±.03	1,4	X CABLE, SATA
745470401	X4 SATA CABLE ASSEMBLY	28 AWG	1M	±.03	7	M CABLE, SATA
745470402	X4 SATA CABLE ASSEMBLY	28 AWG	2M	±.03	7	M CABLE, SATA
745470403	X4 SATA CABLE ASSEMBLY	28 AWG	3M	±.06	7	M CABLE, SATA
745470404	X4 SATA CABLE ASSEMBLY	28 AWG	4M	±.06	7	M CABLE, SATA
745470405	X4 SATA CABLE ASSEMBLY	26 AWG	5M	±.09	7	M CABLE, SATA
745470406	X4 SATA CABLE ASSEMBLY	24 AWG	6M	±.09	7	M CABLE, SATA
745470407	X4 SATA CABLE ASSEMBLY	24 AWG	7M	±.12	7	M CABLE, SATA
745470408	X4 SATA CABLE ASSEMBLY	24 AWG	8M	±.12	7	M CABLE, SATA
745470409	X4 SATA CABLE ASSEMBLY	28 AWG	0.25M	±.03	7	M CABLE, SATA
745470410	X4 SATA CABLE ASSEMBLY	28 AWG	0.5M	±.03	7	M CABLE, SATA

△ - NOT COMPLIANT WITH INSERTION LOSS SPEC PER 1.1.



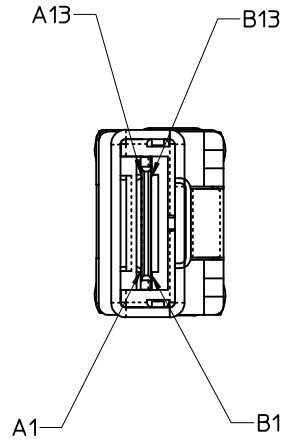
CABLE	A	B
24AWG	41.6	10.40
26AWG	37.2	9.30
28AWG	33.6	8.40

IPASS™ IS A TRADEMARK OF MOLEX

<b>ADDED LABEL</b> EC NO: CPG2013-3501 /DRAWN: IPRATT 2013/05/15 /CHKD: PSYISMA 2013/05/15 /APPR: RMKHAN 2013/05/28 R	QUALITY SYMBOLS ▽=0 ▽=0	GENERAL TOLERANCES (UNLESS SPECIFIED)		DIMENSION STYLE <b>MM ONLY</b>		SCALE 1:1	DESIGN UNITS METRIC	THIRD ANGLE PROJECTION		
		mm INCH		DRAWN BY KPHILLIPS	DATE 2005/28/07	TITLE <b>I-PASS 26 CKT EXTERNAL CABLE ASSEMBLY, PLUG TO PLUG</b>				
		4 PLACES ± --- ± --- 3 PLACES ± --- ± --- 2 PLACES ± 0.13 ± --- 1 PLACE ± 0.25 ± ---		CHECKED BY BREED	DATE 2005/28/07					
		ANGULAR ±1/2°		APPROVED BY DDOYE	DATE 2005/28/07	MOLEX MOLEX INCORPORATED				
DRAFT WHERE APPLICABLE MUST REMAIN WITHIN DIMENSIONS		MATERIAL NO. SEE TABLE		DOCUMENT NO. SD-74547-100			SHEET NO. 3 OF 4			

9 8 7 6 5 4 3 2 1

10 9 8 7 6 5 4 3 2 1



P1	GND	A1		B1	GND	P2
	Rx 0+	A2	←	B2	Tx 0+	
	Rx 0-	A3	←	B3	Tx 0-	
	GND	A4		B4	GND	
	Rx 1+	A5	←	B5	Tx 1+	
	Rx 1-	A6	←	B6	Tx 1-	
	GND	A7		B7	GND	
	Rx 2+	A8	←	B8	Tx 2+	
	Rx 2-	A9	←	B9	Tx 2-	
	GND	A10		B10	GND	
	Rx 3+	A11	←	B11	Tx 3+	
	Rx 3-	A12	←	B12	Tx 3-	
	GND	A13		B13	GND	
GND	B1		A1	GND		
Tx 0+	B2	→	A2	Rx 0+		
Tx 0-	B3	→	A3	Rx 0-		
GND	B4		A4	GND		
Tx 1+	B5	→	A5	Rx 1+		
Tx 1-	B6	→	A6	Rx 1-		
GND	B7		A7	GND		
Tx 2+	B8	→	A8	Rx 2+		
Tx 2-	B9	→	A9	Rx 2-		
GND	B10		A10	GND		
Tx 3+	B11	→	A11	Rx 3+		
Tx 3-	B12	→	A12	Rx 3-		
GND	B13		A13	GND		

IPASS™ IS A TRADEMARK OF MOLEX

<b>ADDED LABEL</b> EC NO: CPG2013-3501 DRWN:TPRATT 2013/05/15 CHKD:PSYISMA 2013/05/15 APPR:RMKHAN 2013/05/28	QUALITY SYMBOLS ▽=0 ▽=0	GENERAL TOLERANCES (UNLESS SPECIFIED)		DIMENSION STYLE <b>MM ONLY</b>		SCALE 1:1	DESIGN UNITS METRIC	THIRD ANGLE PROJECTION		
		4 PLACES ± --- ± ---	mm INCH	DRAWN BY KPHILLIPS	DATE 2005/28/07	TITLE <b>I-PASS 26 CKT EXTERNAL CABLE ASSEMBLY, PLUG TO PLUG</b>				
		3 PLACES ± --- ± ---	2 PLACES ± 0.13 ± ---	CHECKED BY BREED	DATE 2005/28/07					
		1 PLACE ± 0.25 ± ---	ANGULAR ± 1/2°	DRAFT WHERE APPLICABLE MUST REMAIN WITHIN DIMENSIONS		APPROVED BY DDOYE	DATE 2005/28/07	MOLEX INCORPORATED		SHEET NO. 4 OF 4
				MATERIAL NO. SEE TABLE	DOCUMENT NO. SD-74547-100		THIS DRAWING CONTAINS INFORMATION THAT IS PROPRIETARY TO MOLEX INCORPORATED AND SHOULD NOT BE USED WITHOUT WRITTEN PERMISSION			

9 8 7 6 5 4 3 2 1