



120×120×38 mm

San Ace 120 9SG type Model 9SG1224H101 is not certified.

General Specifications

- Material Frame: Aluminum, Impeller: Plastic (Flammability: UL 94V-1)
- Expected life See the table below. (L10 life: 90% survival rate for continuous operation in free air at 60°C, rated voltage)
- Motor protection function Locked rotor burnout protection, Reverse polarity protection
For details, please refer to p. 529.
- Dielectric strength 50/60 Hz, 500 VAC, for 1 minute (between lead wire conductors and frame)
- Insulation resistance 10 MΩ or more with a 500 VDC megger (between lead wire conductors and frame)
- Sound pressure level (SPL) At 1 m away from the air inlet
- Storage temperature -30 to +70°C (Non-condensing)
- Lead wire ⊕Red ⊖Black or Blue (Sensor) Yellow
- Mass 400 g

Specifications

The models listed below **have pulse sensors**.

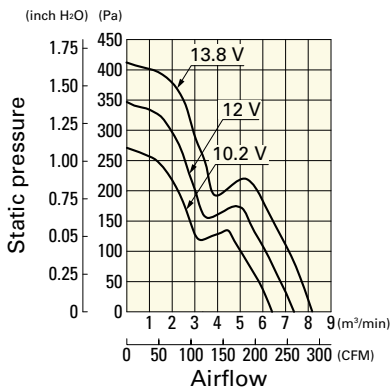
Model no.	Rated voltage [V]	Operating voltage range [V]	Rated current [A]	Rated input [W]	Rated speed [min ⁻¹]	Max. airflow [m ³ /min] [CFM]	Max. static pressure [Pa] [inchH ₂ O]	SPL [dB (A)]	Operating temperature [°C]	Expected life [h]
9SG1212G101	12	10.2 to 13.8	4.0	48.0	6000	7.35 260	340 1.37	64	-20 to +70	40000/60°C
9SG1224G101	24	20.4 to 27.6	2.0	48.0	6000	7.35 260	340 1.37	64		
9SG1224H101			0.46	11.0	3400	4.02 142	126 0.51	48		
9SG1248G101	48	40.8 to 55.2	1.0	48.0	6000	7.35 260	340 1.37	64		

Other sensor specifications are available as options. Refer to the index (p. 558).

Airflow - Static Pressure Characteristics

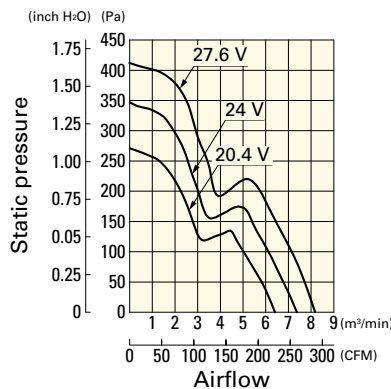
9SG1212G101 With pulse sensor

Operating voltage range



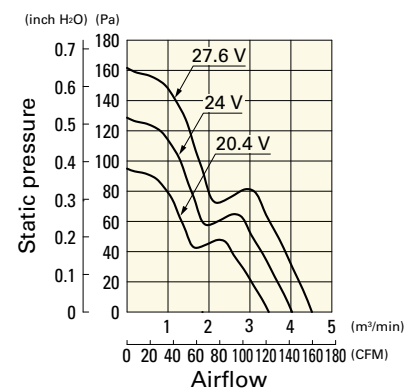
9SG1224G101 With pulse sensor

Operating voltage range



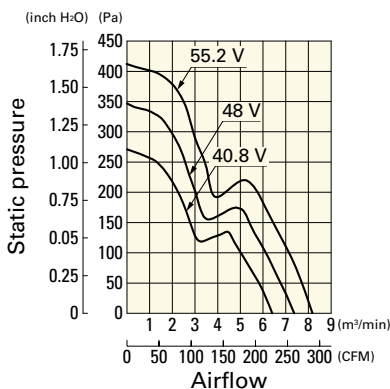
9SG1224H101 With pulse sensor

Operating voltage range

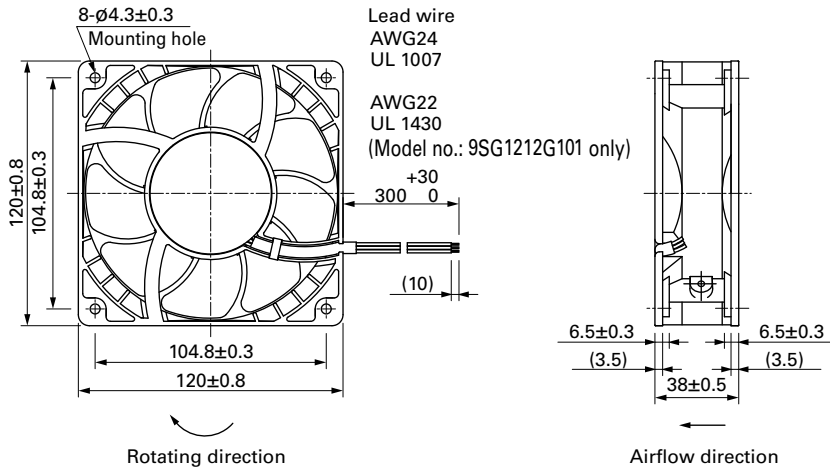


9SG1248G101 With pulse sensor

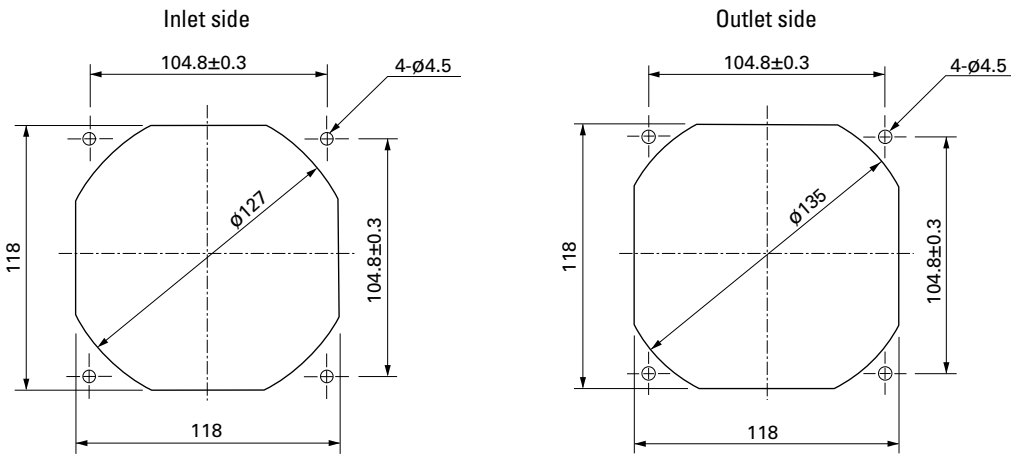
Operating voltage range



Dimensions (unit: mm)



Reference Dimensions of Mounting Holes and Vent Opening (unit: mm)



Options

Finger guards

page: p. 514

Model no.: 109-019C, 109-019H, 109-019E, 109-019K

Resin finger guards

page: p. 520

Model no.: 109-1000G

Resin filter kits

page: p. 521

Model no.: 109-1000F13 (13PPI), 109-1000F20 (20PPI),
109-1000F30 (30PPI), 109-1000F40 (40PPI)

Mouser Electronics

Authorized Distributor

Click to View Pricing, Inventory, Delivery & Lifecycle Information:

Sanyo Denki:

[9SG1212P1G01](#) [9SG1224H101](#) [9SG1224P1G01](#) [9SG1248P1G01](#) [9SG1212G102](#) [9SG1224G102](#) [9SG1224G101](#)
[9SG1212G101](#) [9SG1248G101](#) [9SG1224H102](#) [9SG1224G1D01](#) [9SG1248G102](#)