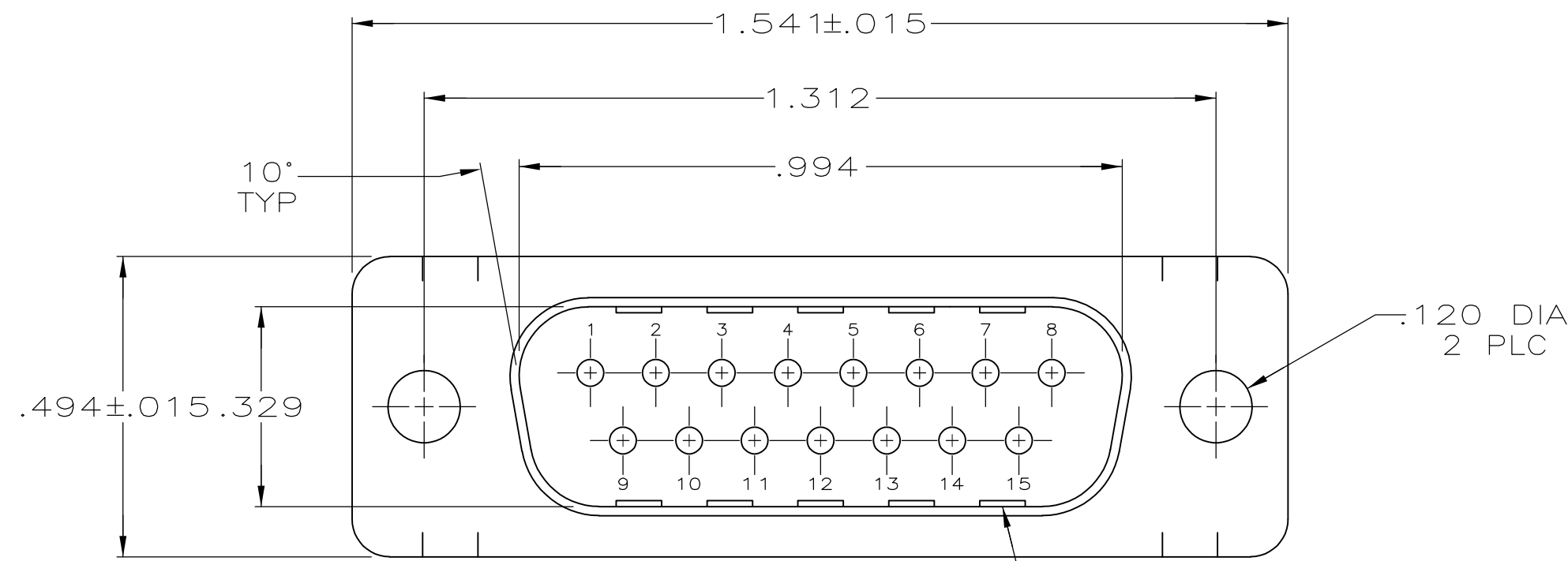
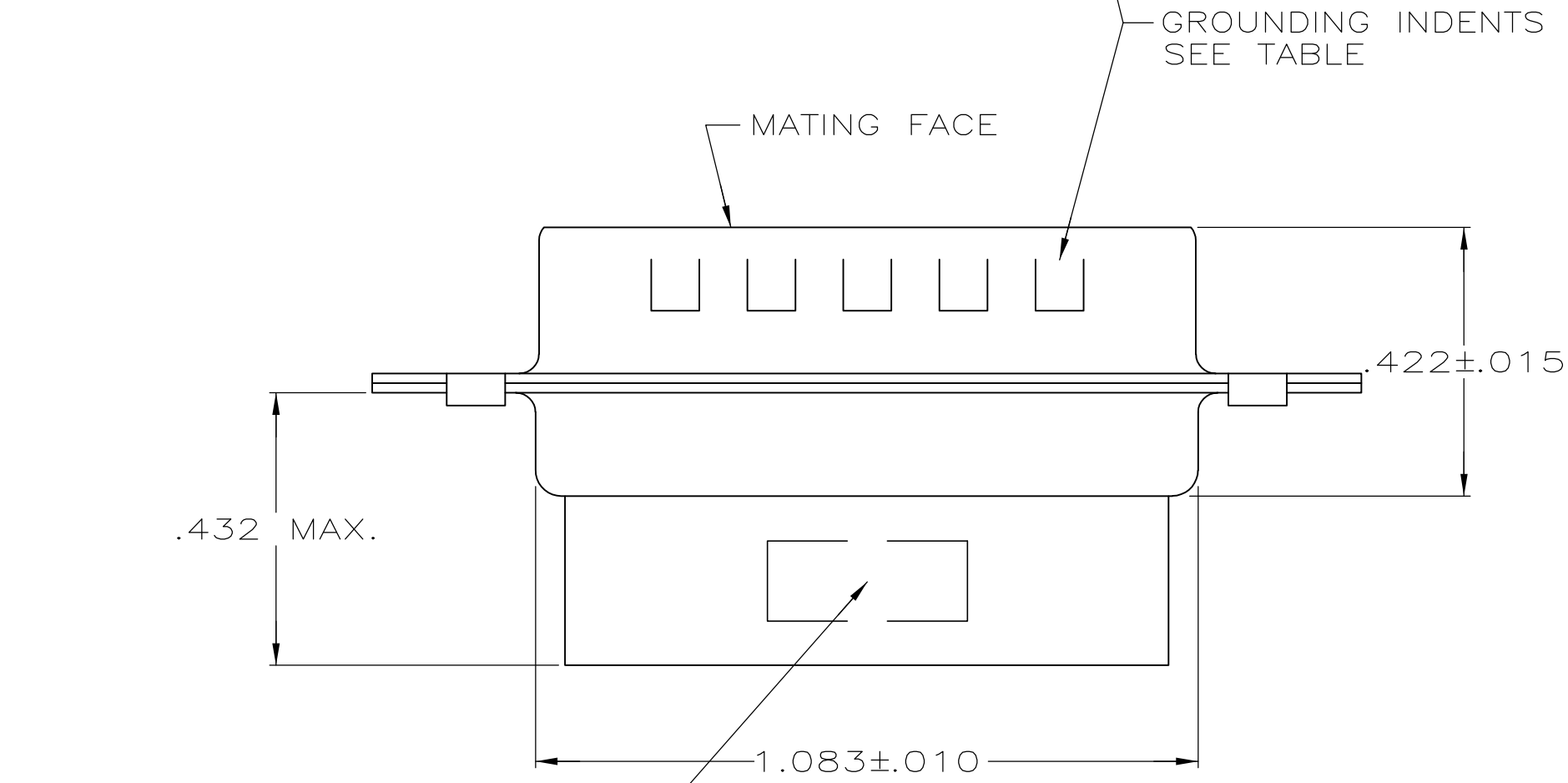


THIS DRAWING IS UNPUBLISHED. RELEASED FOR PUBLICATION  
 © COPYRIGHT - By - ALL RIGHTS RESERVED.

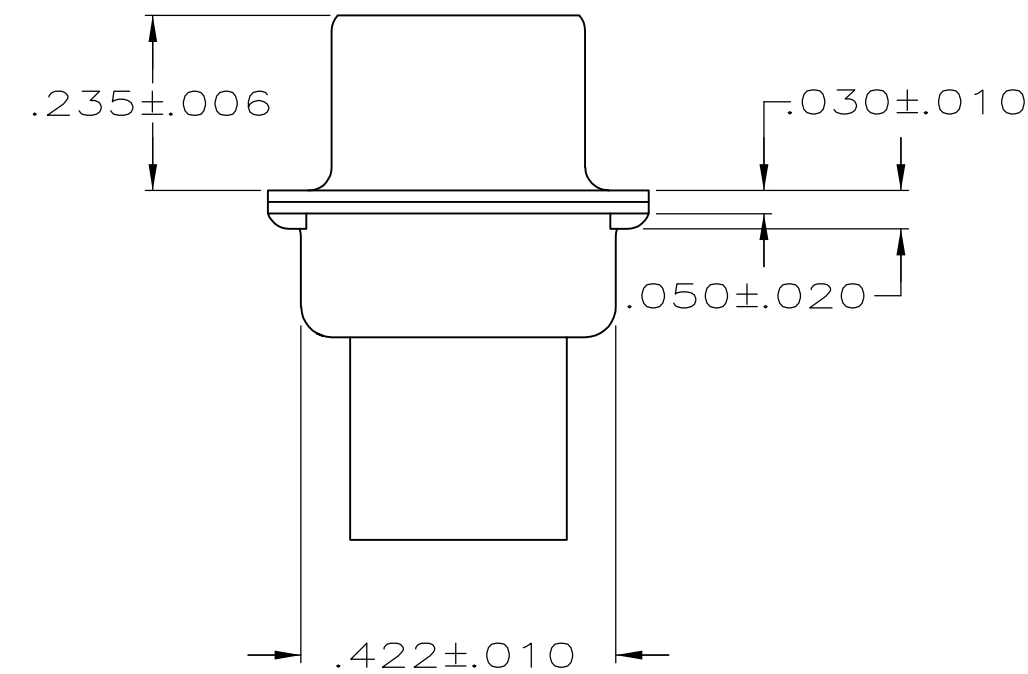
LOC		DIST		REVISIONS			
P	LTR	DESCRIPTION		DATE	DWN	APVD	
GP	00	L		REVISED PER ECO-14-011808	09AUG2014	AP	SB



- CONNECTOR ACCEPTS SIZE 20 DF PIN CONTACTS, RETENTION TINES ARE AN INTEGRAL PART OF INSERT.
- CONNECTOR COMPLIES WITH 108-40005 WHERE APPLICABLE.
- GLASS-FILLED PBT OR GLASS-FILLED NYLON, UL94V-0 RATED. COLOR: BLACK
- STEEL PER ASTM A109.
- ZINC PLATED PER ASTM B633; TYPE II; CLASS SC1; YELLOW CHROMATE.
- TIN OR TIN-LEAD PLATED OVER COPPER UNDERPLATE.
- TIN PLATED OVER COPPER UNDERPLATE.
- ZINC PLATED .000200-.000400 THICK, YELLOW TRIVALENT CHROMIUM CHROMATE COATING.



"AMP", PART NO. & DATE CODE, MARKED IN AREA INDICATED, ON FAR SIDE



PACKAGING TYPE	SHELL FINISH	GROUNDING INDENTS	PART NUMBER
STANDARD	8	NO	205206-9
STANDARD	7	NO	205206-8
OBSOLETE SMALL PACK	5	NO	205206-6
STANDARD	7	YES	205206-3
OBSOLETE STANDARD	6	NO	205206-2
OBSOLETE STANDARD	5	NO	205206-1

THIS DRAWING IS A CONTROLLED DOCUMENT.		DWN	7-19-85	<b>TE</b> TE Connectivity	
		CHK	7-29-85		
DIMENSIONS: INCHES		TOLERANCES UNLESS OTHERWISE SPECIFIED:		NAME	
		0 PLC	± -	V.KUMAR	
		1 PLC	± -	PRODUCT SPEC	
		2 PLC	± -	APPLICATION SPEC	
		3 PLC	± .005		
		4 PLC	± -	SIZE	
		ANGLES	± 2°	CAGE CODE	
		FINISH		DRAWING NO	
MATERIAL MOLDED PARTS: 3		FINISH		RESTRICTED TO	
SHELLS: 4		SHELLS: SEE TABLE		A2 00779 C-205206	
				SCALE NTS SHEET 1 of 1 REV L	
				CUSTOMER DRAWING	

# Mouser Electronics

Authorized Distributor

Click to View Pricing, Inventory, Delivery & Lifecycle Information:

[TE Connectivity:](#)

[205206-3](#)