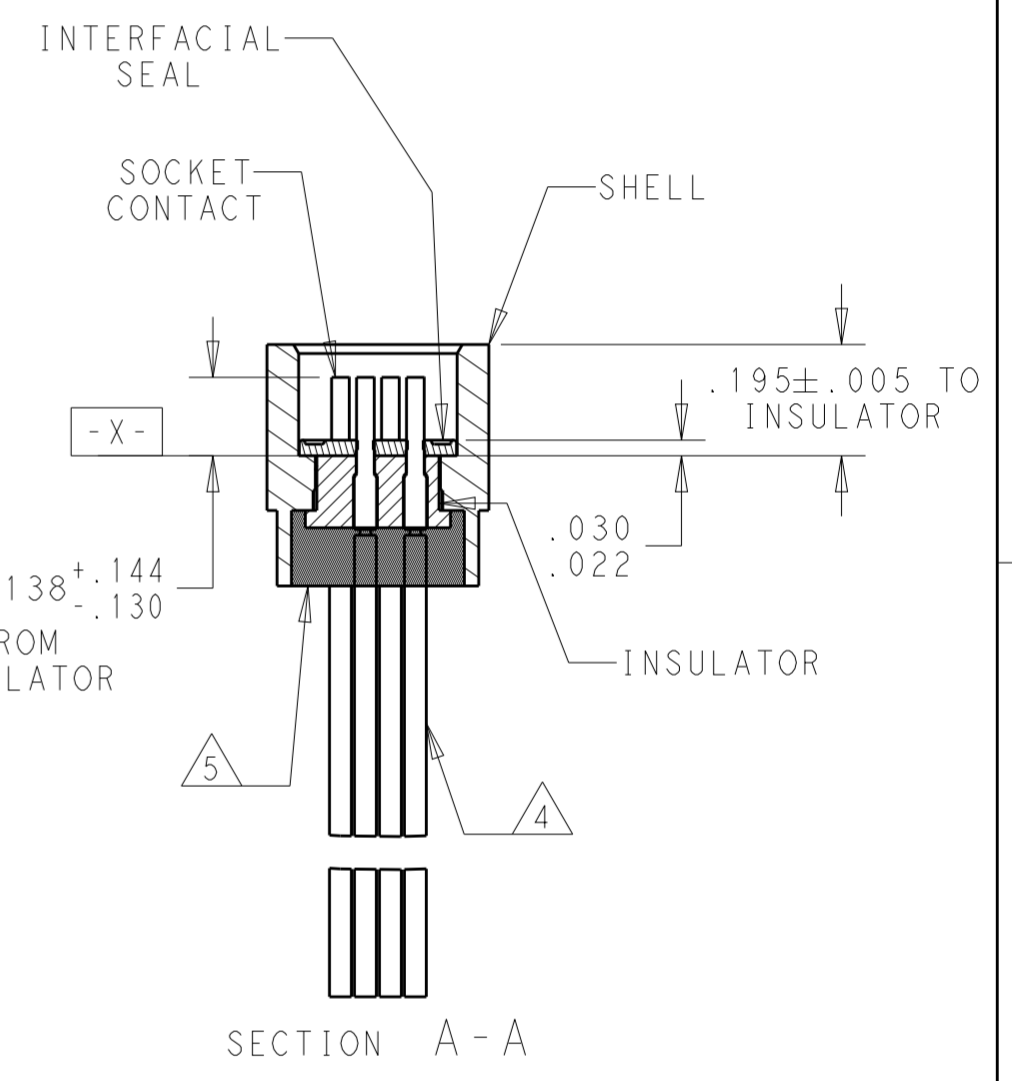
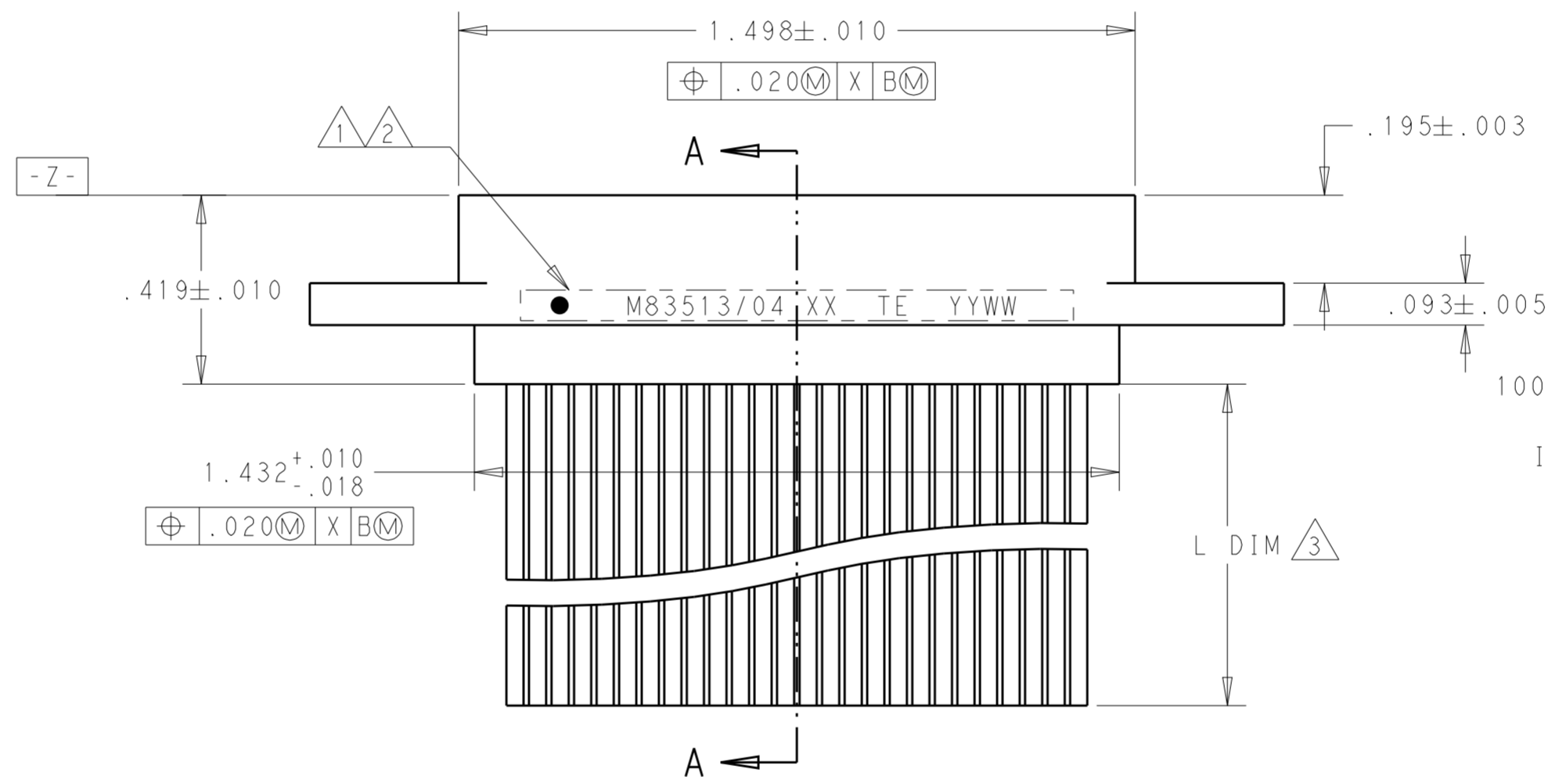
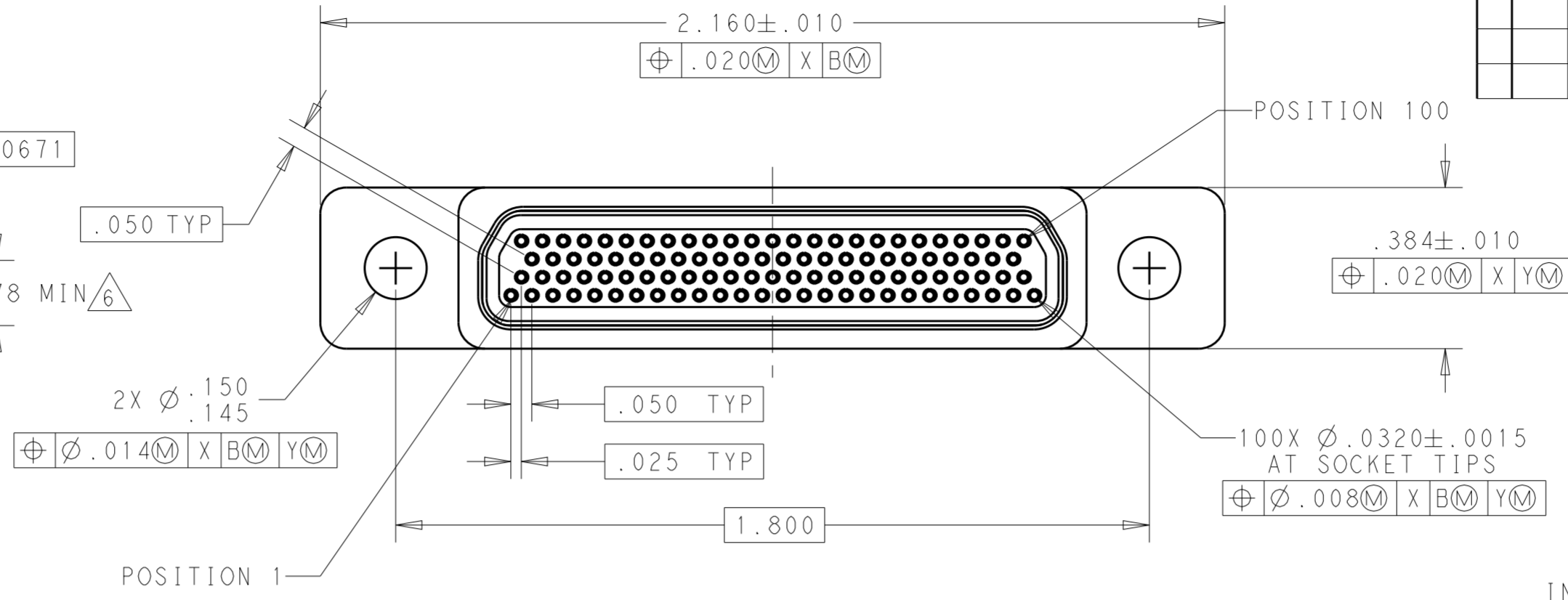


THIS DRAWING IS UNPUBLISHED. RELEASED FOR PUBLICATION 20
 © COPYRIGHT 20 BY - ALL RIGHTS RESERVED.

REVISIONS				
P	LTR	DESCRIPTION	DATE	APVD
B		UPDATE PER ECO-16-005875	20APR2016	DS CS



INTERFACE DETAIL



SECTION A-A

- 1 CONNECTOR SHALL BE MARKED IN ACCORDANCE WITH METHOD 1 OF MIL-STD-1285. MARKING SHALL CONTAIN THE MILITARY PIN, CAGE CODE (OR TE), AND DATE CODE. EXAMPLE: M83513/04-XXXX TE YYWW (WHERE XXXX IS PART OF THE PIN SHOWN IN THE "MIL-DTL-83513" COLUMN OF THE PART NUMBER TABLE, AND YYWW IS THE DATE CODE). TEXT HEIGHT SHALL BE .035 INCH MINIMUM.
- 2 POSITION 1 SHALL BE INDICATED BY AN IDENTIFIABLE MARK, LOCATED APPROXIMATELY AS SHOWN ON THE POSITION 1 SIDE OF THE CONNECTOR FLANGE. THIS MARK SHALL BE INCLUDED AS PART OF THE PART MARKING INFORMATION.
- 3 LENGTH IS SHOWN IN THE "L DIM" COLUMN OF THE PART NUMBER TABLE. LENGTH TOLERANCE IS +1.0/-0.0 FOR INSULATED WIRE TERMINATIONS, AND +0.20/-0.00 FOR UNINSULATED WIRE TERMINATIONS.
- 4 INSULATED WIRE IS SHOWN FOR REFERENCE ONLY. PART MAY BE TERMINATED WITH INSULATED OR UNINSULATED WIRE ACCORDING TO THE PART NUMBER TABLE.
- 5 EPOXY ENCAPSULATION. EPOXY MAY WICK .125 INCH MAX FOR INSULATED WIRE, AND .050 INCH MAX FOR UNINSULATED WIRE.
- 6 THIS DIMENSION IS THE THEORETICAL INTERSECTION OF THE TWO ADJACENT SIDES OF THE INTERFACE
- 7 ALL DIMENSIONS AND REQUIREMENTS ARE PER MIL-DTL-83513/4


THIS DRAWING IS A CONTROLLED DOCUMENT.		DWN B ROMANCHUK 03SEP2008	TE Connectivity	
DIMENSIONS: IN		CHK -		
TOLERANCES UNLESS OTHERWISE SPECIFIED:		0 PLC ± 1 PLC ±.010 2 PLC ±.005 3 PLC ± 4 PLC ± ANGLES ±1° FINISH		NAME RECEPTACLE ASSEMBLY MICRO-D PER MIL-DTL-83513/04 MCKS SERIES, 100 POSITION
MATERIAL SEE NOTES		PRODUCT SPEC APPLICATION SPEC WEIGHT CUSTOMER DRAWING		SIZE A2
		SCALE 3:1 SHEET 1 OF 2 REV B		CAGE CODE 98278
		DRAWING NO 1532178		RESTRICTED TO -

THIS DRAWING IS UNPUBLISHED. RELEASED FOR PUBLICATION 20
 © COPYRIGHT 20 BY - ALL RIGHTS RESERVED.

REVISIONS				
P	LTR	DESCRIPTION	DATE	APVD
		SEE SHEET 1		

TE PART NUMBER	L DIM	MIL-DTL-83513 PIN	MICRODOT P/N	MCKS DESCRIPTION
1532178-1	18	M83513/04-H01N	094-6926-0001	MCKS-N1-B-100S6G1-18.0
1532178-2	36	M83513/04-H02N	094-6926-0002	MCKS-N1-B-100S6G1-36.0
1532178-3	18	M83513/04-H03N	094-6926-0003	MCKS-N1-B-100S6G9-18.0
1532178-4	36	M83513/04-H04N	094-6926-0004	MCKS-N1-B-100S6G9-36.0
1532178-5	18	M83513/04-H09N	094-6926-0009	MCKS-N1-B-100S6Q1-18.0
1532178-6	36	M83513/04-H10N	094-6926-0010	MCKS-N1-B-100S6Q1-36.0
1532178-7	18	M83513/04-H11N	094-6926-0011	MCKS-N1-B-100S6Q9-18.0
1532178-8	36	M83513/04-H12N	094-6926-0012	MCKS-N1-B-100S6Q9-36.0
1532178-9	72	M83513/04-H13N	094-6926-0013	MCKS-N1-B-100S6G1-72.0
1-1532178-0	72	M83513/04-H14N	094-6926-0014	MCKS-N1-B-100S6G9-72.0
1-1532178-1	72	M83513/04-H15N	094-6926-0015	MCKS-N1-B-100S6Q1-72.0
1-1532178-2	72	M83513/04-H16N	094-6926-0016	MCKS-N1-B-100S6Q9-72.0
1-1532178-3	72	M83513/04-H13C	094-6936-0013	MCKS-C2-B-100S6G1-72.0
1-1532178-4	0.5	M83513/04-H05N	094-6926-0005	MCKS-N1-B-100S5L4-0.5
1-1532178-5	1.0	M83513/04-H06N	094-6926-0006	MCKS-N1-B-100S5L4-1.0
1-1532178-6	0.5	M83513/04-H07N	094-6926-0007	MCKS-N1-B-100S5L5-0.5
1-1532178-7	1.0	M83513/04-H08N	094-6926-0008	MCKS-N1-B-100S5L5-1.0
1-1532178-8	18	M83513/04-H01C	094-6936-0001	MCKS-C2-B-100S6G1-18.0
1-1532178-9	36	M83513/04-H02C	094-6936-0002	MCKS-C2-B-100S6G1-36.0
2-1532178-0	18	M83513/04-H03C	094-6936-0003	MCKS-C2-B-100S6G9-18.0
2-1532178-1	36	M83513/04-H04C	094-6936-0004	MCKS-C2-B-100S6G9-36.0
2-1532178-2	0.5	M83513/04-H05C	094-6936-0005	MCKS-C2-B-100S5L4-0.5
2-1532178-3	1.0	M83513/04-H06C	094-6936-0006	MCKS-C2-B-100S5L4-1.0
2-1532178-4	0.5	M83513/04-H07C	094-6936-0007	MCKS-C2-B-100S5L5-0.5
2-1532178-5	1.0	M83513/04-H08C	094-6936-0008	MCKS-C2-B-100S5L5-1.0
2-1532178-6	18	M83513/04-H09C	094-6936-0009	MCKS-N1-B-100S6Q1-18.0
2-1532178-7	36	M83513/04-H10C	094-6936-0010	MCKS-N1-B-100S6Q1-36.0
2-1532178-8	18	M83513/04-H11C	094-6936-0011	MCKS-N1-B-100S6Q9-18.0
2-1532178-9	36	M83513/04-H12C	094-6936-0012	MCKS-N1-B-100S6Q9-36.0
3-1532178-0	72	M83513/04-H14C	094-6936-0014	MCKS-N1-B-100S6G9-72.0
3-1532178-1	72	M83513/04-H15C	094-6936-0015	MCKS-N1-B-100S6Q1-72.0
3-1532178-2	72	M83513/04-H16C	094-6936-0016	MCKS-N1-B-100S6Q9-72.0

TE PART NUMBER	L DIM	MIL-DTL-83513 PIN	MICRODOT P/N	MCKS DESCRIPTION
3-1532178-3	18	M83513/04-H01P	094-6946-0001	MCKS-P1-B-100S6G1-18.0
3-1532178-4	36	M83513/04-H02P	094-6946-0002	MCKS-P1-B-100S6G1-36.0
3-1532178-5	18	M83513/04-H03P	094-6946-0003	MCKS-P1-B-100S6G9-18.0
3-1532178-6	36	M83513/04-H04P	094-6946-0004	MCKS-P1-B-100S6G9-36.0
3-1532178-7	0.5	M83513/04-H05P	094-6946-0005	MCKS-P1-B-100S5L4-0.5
3-1532178-8	1.0	M83513/04-H06P	094-6946-0006	MCKS-P1-B-100S5L4-1.0
3-1532178-9	0.5	M83513/04-H07P	094-6946-0007	MCKS-P1-B-100S5L5-0.5
4-1532178-0	1.0	M83513/04-H08P	094-6946-0008	MCKS-P1-B-100S5L5-1.0
4-1532178-1	18	M83513/04-H09P	094-6946-0009	MCKS-P1-B-100S6Q1-18.0
4-1532178-2	36	M83513/04-H10P	094-6946-0010	MCKS-P1-B-100S6Q1-36.0
4-1532178-3	18	M83513/04-H11P	094-6946-0011	MCKS-P1-B-100S6Q9-18.0
4-1532178-4	36	M83513/04-H12P	094-6946-0012	MCKS-P1-B-100S6Q9-36.0
4-1532178-5	72	M83513/04-H13P	094-6946-0013	MCKS-P1-B-100S6G1-72.0
4-1532178-6	72	M83513/04-H14P	094-6946-0014	MCKS-P1-B-100S6G9-72.0
4-1532178-7	72	M83513/04-H15P	094-6946-0015	MCKS-P1-B-100S6Q1-72.0
4-1532178-8	72	M83513/04-H16P	094-6946-0016	MCKS-P1-B-100S6Q9-72.0

THIS DRAWING IS A CONTROLLED DOCUMENT.		DWN B ROMANCHUK	03SEP2008	 TE Connectivity
DIMENSIONS: IN		CHK -		
TOLERANCES UNLESS OTHERWISE SPECIFIED: 0 PLC ± 1 PLC ± 2 PLC ±.010 3 PLC ±.005 4 PLC ± ANGLES ±1° FINISH		APVD M STORRY	03SEP2008	NAME RECEPTACLE ASSEMBLY MICRO-D PER MIL-DTL-83513/04 MCKS SERIES, 100 POSITION
MATERIAL SEE NOTES		PRODUCT SPEC -	APPLICATION SPEC -	SIZE A2
		WEIGHT -	CAGE CODE 98278	DRAWING NO 1532178
		CUSTOMER DRAWING	SCALE 3:1	SHEET 2 OF 2
				REV B

Mouser Electronics

Authorized Distributor

Click to View Pricing, Inventory, Delivery & Lifecycle Information:

[TE Connectivity:](#)

[2-1532178-9](#)