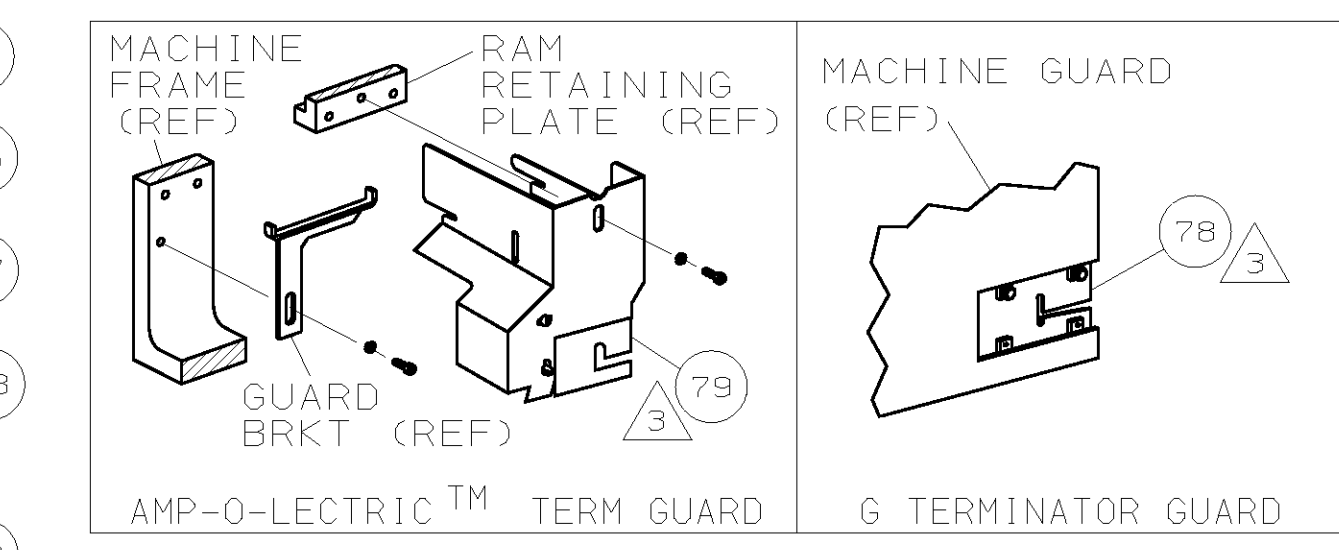
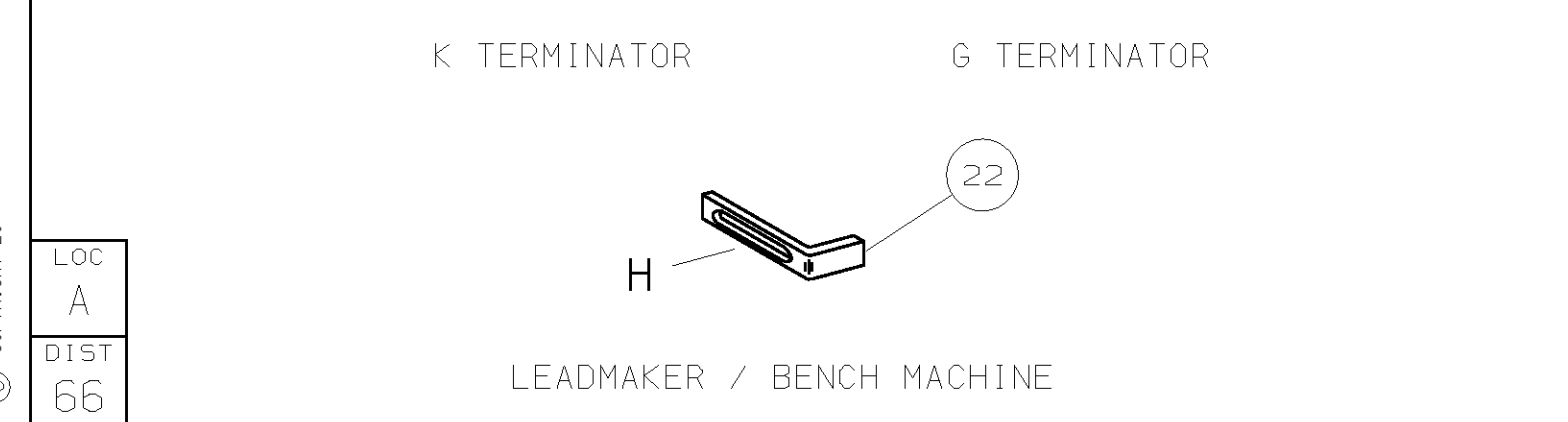
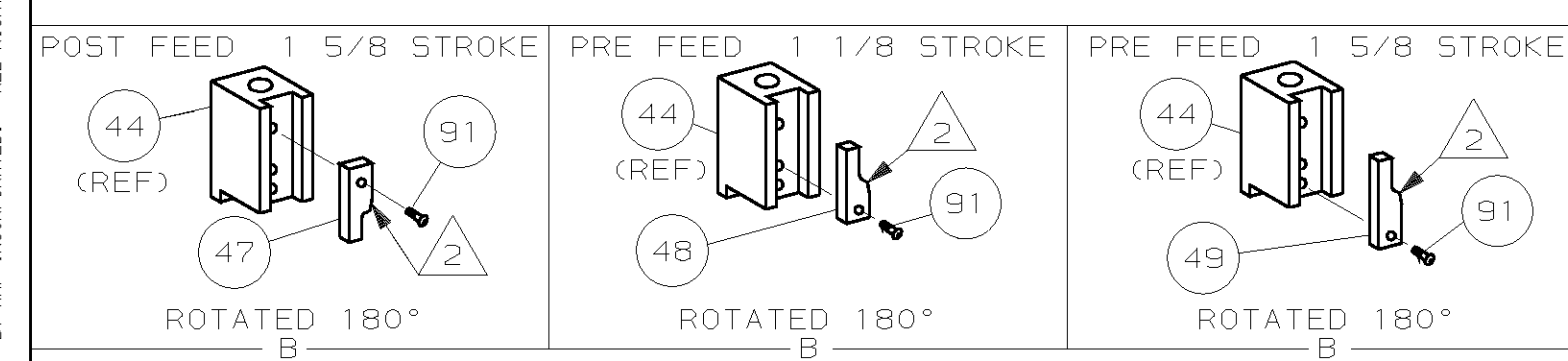
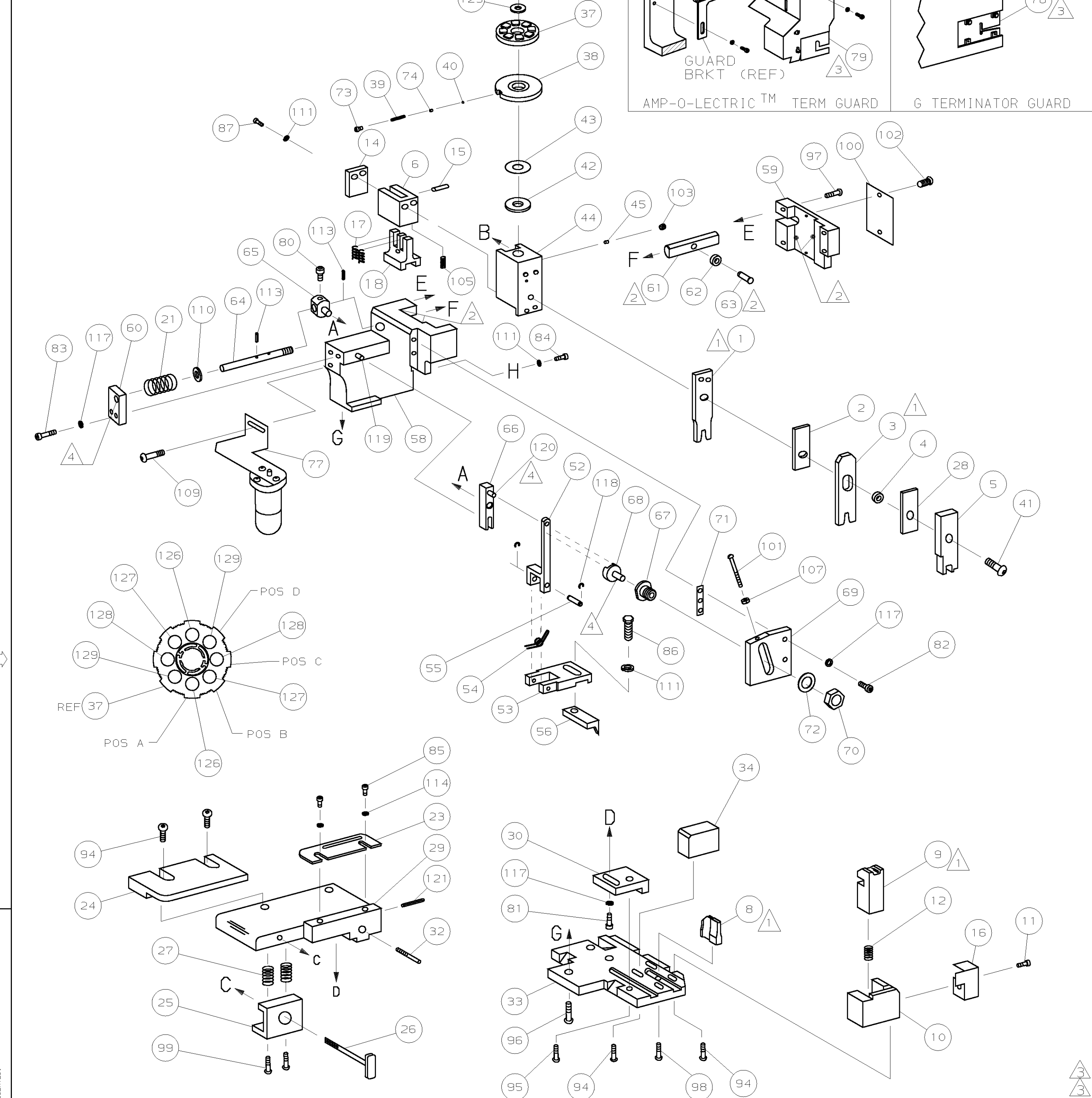


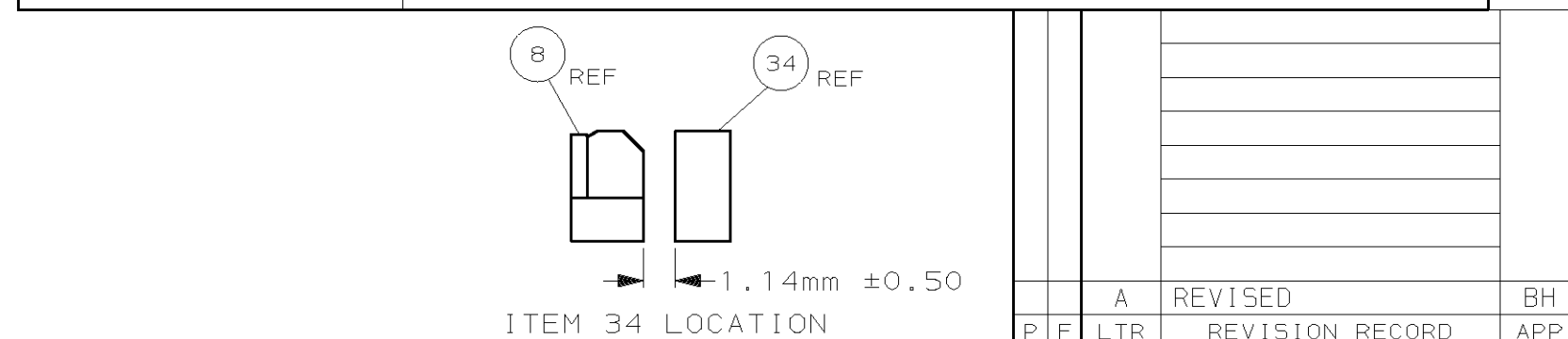
PART NUMBER	REV	FIRST USED
1385549-1	A	122500-1
1385549-2	A	565435-5
1385549-3	A	354500-1



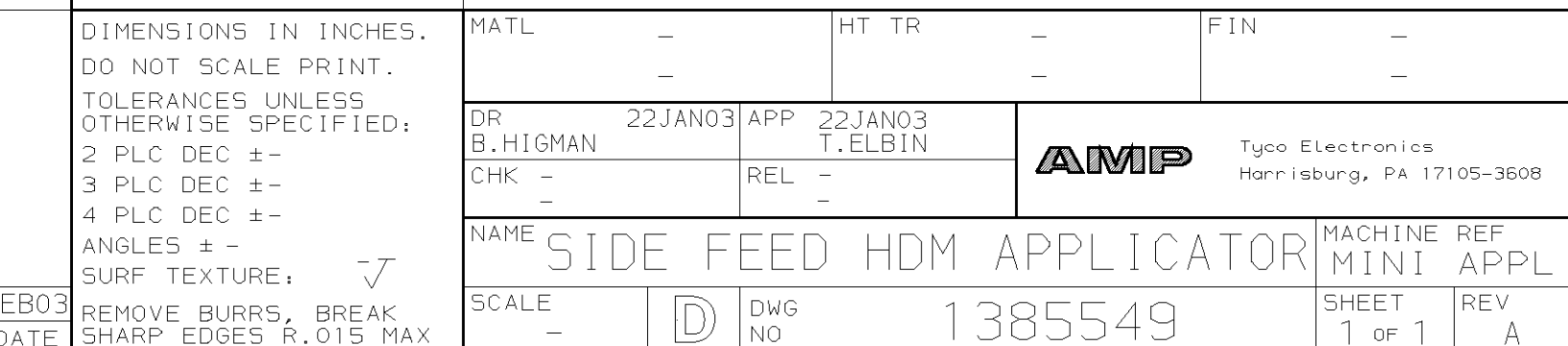
- 1 RECOMMENDED SPARE PARTS.
- 2 GREASE LIGHTLY.
- 3 GUARD MUST BE IN PLACE WHEN OPERATING APPLICATOR IN A BENCH MACHINE.
- 4 LUBRICATE DAILY USING NO. 20 MACHINE OIL.

TERMINAL NAME: POST CONTACT		AMP TERMINAL AMP CRIMP SPECS	
PAD LTR	CRIMP HEIGHT	WIRE SIZE	
A	0.57 ±0.03mm	0.141mm <sup>2</sup>	
B	0.52 ±0.03mm	0.089mm <sup>2</sup>	
C	0.48 ±0.03mm	0.055mm <sup>2</sup>	
D	NOT	USED	
CRIMP	SIZE	TYPE	RANGE
WIRE	0.8mm	F	0.055-0.141mm <sup>2</sup>
INSUL	1.18mm	F	0.70-0.98MM

QTY	REQD PER ASSY	U/M	DWG SIZE	PART NO	DESCRIPTION	ITEM NO	
2	2	2	-	C	3-354779-4	PIN, WIRE DISC (.3160)C	129
2	2	2	-	C	3-354779-0	PIN, WIRE DISC (.3140)B	127
2	2	2	-	C	2-354779-6	PIN, WIRE DISC (.3120)A	126
1	1	1	-	A	986950-1	WASHER, FLAT PRECISION	125
1	1	1	-	A	217238-1	GENERAL INSTRUCTION PACKAGE	124
1	1	1	-	-	4088040	SF APPL INST 408-8040	123
REF	REF	REF	-	A	939691-1	CRIMPER LUBRICANT	122
1	1	1	-	A	4-21028-0	PIN, SLT SPR (ø.093x.75)ST GDE PL	121
1	1	1	-	A	1-21030-1	PIN, DOWEL (ø.187x.50)LEVER	120
1	1	1	-	A	1-21030-6	PIN, DOWEL (ø.187x1.25)HOUSING	119
2	2	2	-	A	21045-3	RING, RET "C" (ø.187)FD FING PIN	118
5	5	5	-	A	21024-5	WASHER, LOCK (#10)ADJ BLOCK	117
2	2	2	-	A	21024-5	WASHER, LOCK (#10)ADJ PLATE	116
2	2	2	-	A	21024-5	WASHER, LOCK (#10)FEED GDE ROD	115
2	2	2	-	A	21024-2	WASHER, LOCK (#4)FRONT STP GUIDE	114
2	2	2	-	A	5-21028-1	PIN, SLT SPR (ø.125x.50)ADJ ROD	113
							112
4	4	4	-	A	21024-4	WASHER, LOCK (#8)STRIPPER	111
1	1	1	-	A	21899-4	WASHER, FLAT (ø5/16) SCREW ADJ	110
-	1	-	-	A	2-21002-6	SCR, BHC (10-32x.38) LUBE ASSY	109
							108
1	1	1	-	A	21068-5	NUT, HEX (6-32)FEED ADJ	107
							106
1	1	1	-	A	2-21008-1	SCR, SKT SET (4-40x.25) HD	105
							104
1	1	1	-	A	21009-2	SCR, SKT SET (1/4-20x.25 LW)RAM	103
2	2	2	-	A	21017-2	SCR, DRIVE (#2x.19) ID PLATE	102
1	1	1	-	A	6-23715-5	SCR, PAN HD (6-32x1.50)FEED ADJ	101
1	1	1	-	B	461264-1	PLATE, IDENTIFICATION	100
2	2	2	-	A	3-21002-0	SCR, BHC (10-32x.88)DRAG	99
1	1	1	-	A	22733-8	SCR, BHC (8-32x.38 LW)ANVIL	98
4	4	4	-	A	2-21002-9	SCR, BHC (10-32x.75)CAP	97
3	3	3	-	A	2-22733-8	SCR, BHC (1/4-20x.62)HOUSING	96
1	1	1	-	A	2-21002-7	SCR, BHC (10-32x.50)56 ADJ BLOCK	95
6	6	6	-	A	2-21002-2	SCR, BHC (8-32x.50) TERM H DWN	94
							93
							92
							91
1	1	1	-	A	1-21002-7	SCR, BHC (6-32x.38)CAM	90
							89
							88
2	2	2	-	A	3-21000-0	SCR, SHC (8-32x.88)HOLD DOWN	87
1	1	1	-	A	2-22603-0	SCR, HEX HD (8-32x.31)FEED FINGER	86
2	2	2	-	A	1-21000-3	SCR, SHC (4-40x.25)FR ST GUIDE	85
1	1	1	-	A	2-21000-7	SCR, SHC (8-32x.50)STRIPPER	84
2	2	2	-	A	3-21000-7	SCR, SHC (10-32x.75)FEED ROD GD	83
2	2	2	-	A	3-21000-6	SCR, SHC (10-32x.62)FD ADJ BLK	82
1	1	1	-	A	3-21000-4	SCR, SHC (10-32x.38)56 ADJ BL	81
1	1	1	-	A	3-21000-4	SCR, SHC (10-32x.38)PIVOT BLK	80
-	REF	-	-	B	455749-1	GUARD, WINDOW	79
-	REF	-	-	B	679532-1	INSERT, GUARD	78
-	1	-	-	C	1-465184-0	LUBRICATOR ASSY	77
							76
							75
1	1	1	-	A	690603-1	SPRING, ASSIST	74
1	1	1	-	A	23030-1	SCR, SHC (6-32x.25 SL)INS DISC	73
1	1	1	-	A	458109-1	WASHER, SPECIAL	72
1	1	1	-	A	690517-1	SPACER	71
-3	-2	-1	U/M	DWG SIZE	PART NO	DESCRIPTION	ITEM NO



QTY	REQD PER ASSY	U/M	DWG SIZE	PART NO	DESCRIPTION	ITEM NO	
-1					LEADMAKER		
-2					BENCH MODEL K	MECH PRE FEED	
-3					BENCH MODEL G	MECH PRE FEED	
1	1	1	-	B	22594-8	NUT, HEX (1/2-20)	70
1	1	1	-	B	240628-1	PLATE, ADJUSTMENT	69
1	1	1	-	B	240626-1	SHAFT, PIVOT	68
1	1	1	-	B	240633-1	BUSHING	67
1	1	1	-	A	455680-1	LEVER, INTERMEDIATE	66
1	1	1	-	B	240629-1	BLOCK, PIVOT	65
1	1	1	-	A	240632-2	SCREW, ADJ FEED ROD	64
1	1	1	-	B	240659-3	PIN, CAM ROLLER	63
1	1	1	-	B	240658-1	ROLLER, CAM	62
1	1	1	-	B	454398-2	ROD, FEED	61
1	1	1	-	A	454178-1	GUIDE, FEED ROD	60
1	1	1	-	C	454220-1	CAP, RAM	59
1	1	1	-	D	454485-1	HOUSING	58
							57
1	1	1	-	B	690542-2	PAWL, FEED	56
1	1	1	-	B	240624-1	PIN, FEED FINGER	55
1	1	1	-	B	691499-1	SPRING, FEED FINGER	54
1	1	1	-	B	690541-1	HOLDER, FEED FINGER	53
1	1	1	-	A	455679-1	LEVER, TERMINAL FEED ARM	52
							51
							50
1	-	-	-	B	690602-6	CAM, PRE-FEED 1 5/8 ST	49
-	1	-	-	B	690602-5	CAM, PRE-FEED 1 1/8 ST	48
-	-	1	-	B	690501-4	CAM, POST-FEED 1 5/8 ST	47
							46
1	1	1	-	A	690191-1	PLUG, NYLON	45
1	1	1	-	C	455673-3	RAM	44
1	1	1	-	A	690125-1	WASHER, LAMINATED	43
1	1	1	-	A	690124-4	WASHER, RAM	42
1	1	1	-	A	7-21002-9	BOLT, CRIMPER (5/16x1.00)	41
1	1	1	-	A	23241-6	BALL, STEEL	40
1	1	1	-	A	690170-1	SPRING, COMPRESSION	39
1	1	1	-	C	690142-6	DISC, INSULATION	38
1	1	1	-	D	354777-1	WIRE DISC, PLASTIC	37
1	1	1	-	A	22480-5	WASHER, SPRING	36
1	1	1	-	B	690212-1	POST, RAM	35
1	1	1	-	B	3-690786-3	SUPPORT, TERMINAL	34
1	1	1	-	D	455675-4	PLATE, BASE	33
1	1	1	-	A	690432-3	SCREW, ADJUSTMENT	32
							31
1	1	1	-	B	455689-1	BLOCK, STRIP GUIDE ADJ	30
1	1	1	-	C	455671-1	PLATE, STRIP GUIDE	29
1	1	1	-	C	1-455888-5	SPACER, FRONT SHEAR DEP	28
2	2	2	-	A	1-22284-0	SPRING, DRAG	27
1	1	1	-	B	690546-1	LEVER, DRAG RELEASE	26
1	1	1	-	B	240792-1	DRAG, TERMINAL	25
1	1	1	-	D	2-90765-9	GUIDE, STRIP (REAR)	24
1	1	1	-	A	690438-1	GUIDE, STRIP (FRONT)	23
1	1	1	-	B	1-1338987-6	STRIPPER	22
1	1	1	-	A	4-22284-9	SPRING, FEED RETURN	21
							20
							19
1	1	1	-	A	4-1338389-6	HOLD DOWN, TERMINAL	18
2	2	2	-	A	22278-9	SPRING, HOLD DOWN	17
1	1	1	-	B	318563-1	GUARD, CHIP, FRONT	16
1	1	1	-	A	4-21028-0	PIN, SLT SPR (ø.094x.75)HD	15
1	1	1	-	B	455053-1	PLATE, RETAINER	14
							13
1	1	1	-	A	5-22280-0	SPRING, SHEAR	12
1	1	1	-	B	690461-1	STOP, SHEAR	11
1	1	1	-	C	690459-7	HOLDER, SHEAR (FRONT)	10
1	1	1	-	C	462006-1	SHEAR, FLOAT (FRONT)	9
1	1	1	-	C	4-662520-1	ANVIL	8
							7
1	1	1	-	B	455052-1	CARRIER, TERM. HOLDER	6
1	1	1	-	C	2-455889-9	DEPRESSOR, SHEAR (FRONT)	5
1	1	1	-	B	2-238011-8	SPACER, BLOCK CRIMPER	4
1	1	1	-	C	7-683453-1	CRIMPER, INSULATION	3
1	1	1	-	C	455888-1	SPACER, CRIMPER	2
1	1	1	-	C	8-568176-2	CRIMPER, WIRE	1
-3	-2	-1	U/M	DWG SIZE	PART NO	DESCRIPTION	ITEM NO



# Mouser Electronics

Authorized Distributor

Click to View Pricing, Inventory, Delivery & Lifecycle Information:

[TE Connectivity:](#)

[1385549-3](#)