

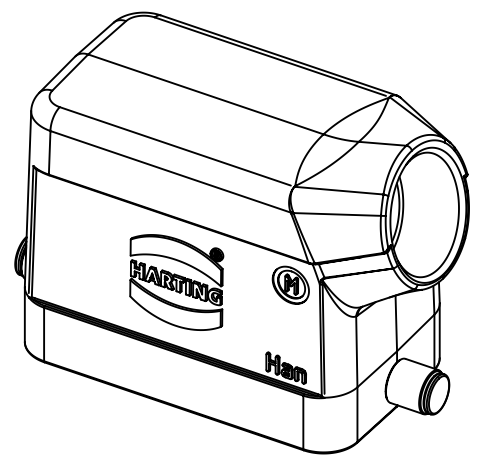
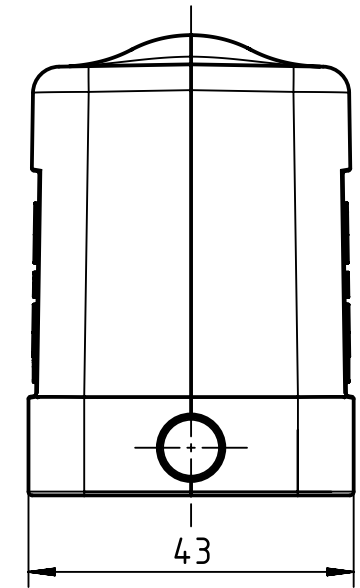
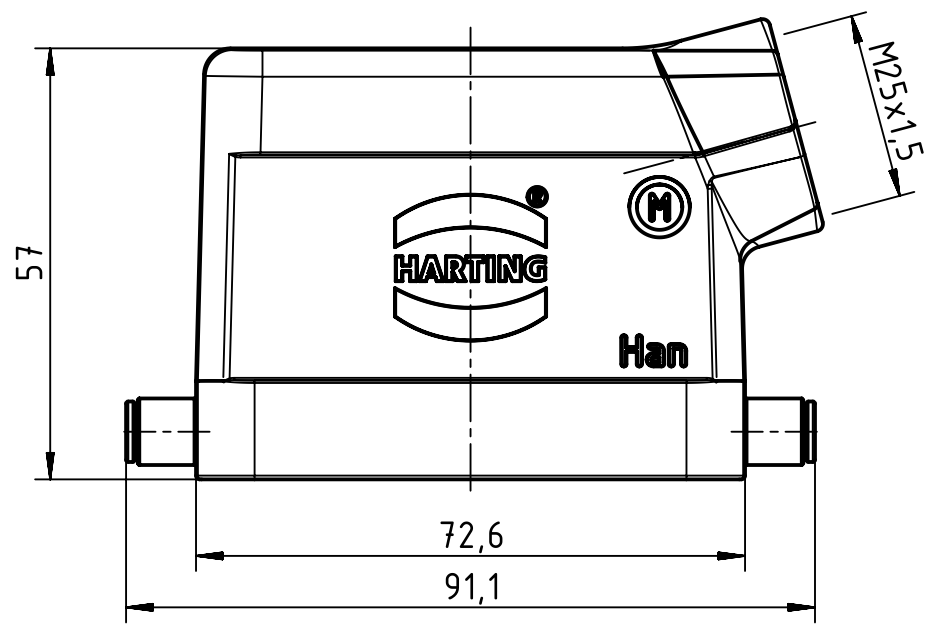
1 2 3 4 5 6

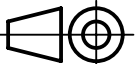

A

B

C

D



 All Dimensions in mm Original Size DIN A4		Scale 1:1	Free size tol.		Ref.
 All rights reserved Department EL PD - DE		Created by SPRENB	Inspected by BERGHORN	Standardisation TIEMANNA	Date 2015-10-15
HARTING Electric GmbH & Co. KG D-32339 Espelkamp		Title Han 10B Hood Side Entry LC 2 Reel M25			State Final Release
		Type TB	Number 19 30 010 1541		Doc-Key / ECM-Nr. 100200955/UGD/004/B 500000095422
				Rev. B	Page 1/1

Mouser Electronics

Authorized Distributor

Click to View Pricing, Inventory, Delivery & Lifecycle Information:

[HARTING:](#)

[19300101541](#)