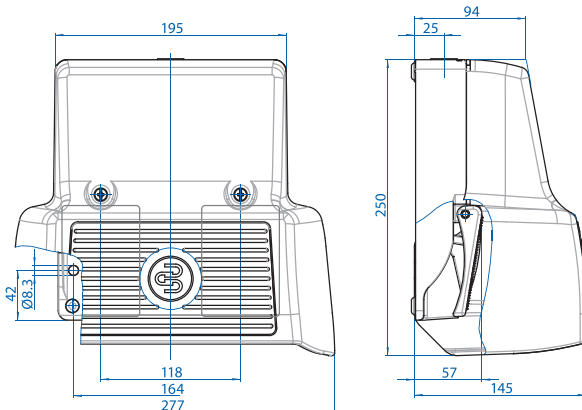


Double Pedal with Cover

STANDARD



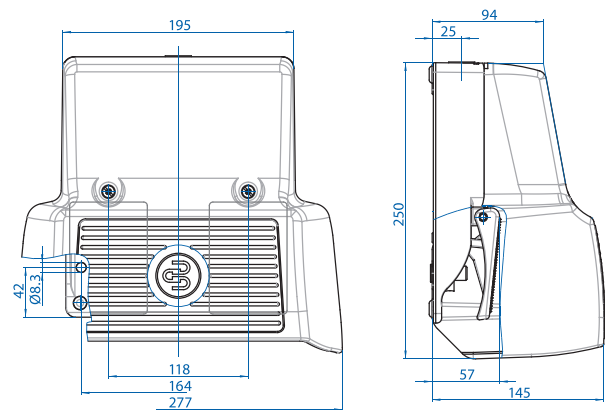
Standard OFF-ON Operation-
Push pedal to change contact state. Release pedal to return to original state.



TWO STAGE OPERATION



Two Stage Operation-
Press Pedal to change the state of the first set of contacts. Continue to press further to change the second set of contacts.



Two pedal foot switch F2

Article number	Designation	Switching contacts	Special feature
Snap-action contact:			
		Pedal 1 (left)	Pedal 2 (right)
606.2830.022	F2-SU1Z/SU1Z UN	1NC / 1NO	1NC / 1NO Prot. shroud UN
606.2940.066	F2-SU2Z/SU2Z UN	2NC / 2NO	2NC / 2NO Prot. shroud UN
Slow-action contact:			
		Pedal 1 (left)	Pedal 2 (right)
606.2610.014	F2-U1Z/U1Z UN	1NC / 1NO	1NC / 1NO Prot. shroud UN
606.2720.016	F2-U2Z/U2Z UN	2NC / 2NO	2NC / 2NO Prot. shroud UN

Two pedal foot switch F2

Article number	Designation	Switching contacts	Two Stage Operation
Snap-action contact:			
		Pedal 1 (left)	Pedal 2 (right)
616.2000.418	F2-SU1Z/SU2ZD UN	1NC / 1NO	2NC / 2NO (Pedal 2)
606.2830.417	F2-SU1ZD/SU1ZD UN	1NC / 1NO	1NC / 1NO (Pedal1+Pedal.2)
616.2000.503	F2-SU4ZD/SU4ZD UN	4NC / 4NO	4NC / 4NO (Pedal 1+Pedal 2)
Slow-action contact:			
616.2610.253	F2-U1ZD/U1Z UN	1NC / 1NO	1NC / 1NO (Pedal 1)
606.2620.086	F2-U1Z/U2ZD UN	1NC / 1NO	2NC / 2NO (Pedal 2)
606.2720.020	F2-U2ZD/U2ZD UN	2NC / 2NO	2NC / 2NO (Pedal 1+Pedal 2)
606.2710.376	F2-U2ZD/U1Z UN	2NC / 2NO	1NC / 1NO (Pedal 1)

Drawing dimensions in mm

Mouser Electronics

Authorized Distributor

Click to View Pricing, Inventory, Delivery & Lifecycle Information:

[Altech:](#)

[606.2710.376](#) [606.2720.016](#) [606.2830.022](#) [606.2940.066](#) [606.2720.020](#) [606.2610.014](#) [606.2620.086](#)
[606.2830.417](#) [616.2000.418](#) [616.2000.503](#) [616.2610.253](#)