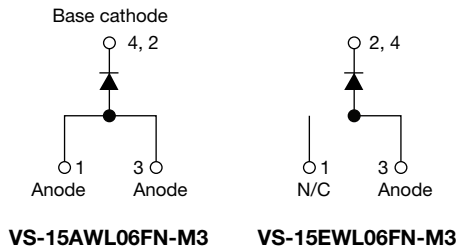


**Ultralow  $V_F$  Ultrafast Rectifier, 15 A FRED Pt<sup>®</sup>**

**TO-252AA (D-PAK)**

**FEATURES**

- Ultrafast recovery time, extremely low  $V_F$  and soft recovery
- 175 °C maximum operating junction temperature
- For PFC DCM operation
- Low leakage current
- Meets MSL level 1, per J-STD-020, LF maximum peak of 260 °C
- Material categorization: for definitions of compliance please see [www.vishay.com/doc?99912](http://www.vishay.com/doc?99912)


**RoHS**  
 COMPLIANT  
**HALOGEN**  
**FREE**
**DESCRIPTION / APPLICATIONS**

State of the art, ultralow  $V_F$ , soft-switching hyperfast rectifiers optimized for Discontinuous (Critical) Mode (DCM) Power Factor Correction (PFC).

The minimized conduction loss, optimized stored charge and low recovery current minimize the switching losses and reduce over-dissipation in the switching element and snubbers.

The device is also intended for use as a freewheeling diode in power supplies and other power switching applications.

**PRODUCT SUMMARY**

|                 |                  |
|-----------------|------------------|
| Package         | TO-252AA (D-PAK) |
| $I_{F(AV)}$     | 15 A             |
| $V_R$           | 600 V            |
| $V_F$ at $I_F$  | 0.85 V           |
| $t_{rr}$ (typ.) | 60 ns            |
| $T_J$ max.      | 175 °C           |
| Diode variation | Single die       |

**ABSOLUTE MAXIMUM RATINGS**

| PARAMETER                                   | SYMBOL         | TEST CONDITIONS                          | VALUES      | UNITS |
|---|----------------|--|-------------|-------|
| Peak repetitive reverse voltage             | $V_{RRM}$      |  | 600         | V     |
| Average rectified forward current           | $I_{F(AV)}$    | $T_C = 148$ °C                           | 15          | A     |
| Non-repetitive peak surge current           | $I_{FSM}$      | $T_J = 25$ °C                            | 180         |       |
| Peak repetitive forward current             | $I_{FM}$       | $T_C = 148$ °C, $f = 20$ kHz, $d = 50$ % | 30          |       |
| Operating junction and storage temperatures | $T_J, T_{Stg}$ |  | -65 to +175 | °C    |

**ELECTRICAL SPECIFICATIONS ( $T_J = 25$  °C unless otherwise specified)**

| PARAMETER                           | SYMBOL        | TEST CONDITIONS                              | MIN. | TYP. | MAX. | UNITS   |
|-------------------------------------|---------------|--|------|------|------|---------|
| Breakdown voltage, blocking voltage | $V_{BR}, V_R$ | $I_R = 100$ $\mu$ A                          | 600  | -    | -    | V       |
| Forward voltage                     | $V_F$         | $I_F = 15$ A                                 | -    | 0.99 | 1.05 |         |
|                                     |               | $I_F = 15$ A, $T_J = 150$ °C                 | -    | 0.85 | 0.92 |         |
| Reverse leakage current             | $I_R$         | $V_R = V_R$ rated                            | -    | -    | 10   | $\mu$ A |
|                                     |               | $T_J = 150$ °C, $V_R = V_R$ rated            | -    | -    | 120  |         |
| Junction capacitance                | $C_T$         | $V_R = 600$ V                                | -    | 11   | -    | pF      |
| Series inductance                   | $L_S$         | Measured lead to lead 5 mm from package body | -    | 8    | -    | nH      |



| DYNAMIC RECOVERY CHARACTERISTICS (T <sub>J</sub> = 25 °C unless otherwise specified) |                  |  |      |      |      |       |
|--|------------------|--|------|------|------|-------|
| PARAMETER  | SYMBOL           | TEST CONDITIONS  | MIN. | TYP. | MAX. | UNITS |
| Reverse recovery time  | t <sub>rr</sub>  | I <sub>F</sub> = 1 A, dI <sub>F</sub> /dt = 100 A/μs, V <sub>R</sub> = 30 V  | -    | 60   | 120  | ns    |
|  |                  | I <sub>F</sub> = 15 A, dI <sub>F</sub> /dt = 100 A/μs, V <sub>R</sub> = 30 V | -    | 190  | -    |       |
|  |                  | T <sub>J</sub> = 25 °C   | -    | 220  | -    |       |
|  |                  | T <sub>J</sub> = 125 °C  | -    | 290  | -    |       |
| Peak recovery current  | I <sub>RRM</sub> | T <sub>J</sub> = 25 °C   | -    | 21   | -    | A     |
|  |                  | T <sub>J</sub> = 125 °C  | -    | 25   | -    |       |
| Reverse recovery charge  | Q <sub>rr</sub>  | T <sub>J</sub> = 25 °C   | -    | 2.6  | -    | μC    |
|  |                  | T <sub>J</sub> = 125 °C  | -    | 4    | -    |       |

| THERMAL - MECHANICAL SPECIFICATIONS             |                                   |                             |           |      |      |       |
|---|-----------------------------------|-----------------------------|-----------|------|------|-------|
| PARAMETER                                       | SYMBOL                            | TEST CONDITIONS             | MIN.      | TYP. | MAX. | UNITS |
| Maximum junction and storage temperature range  | T <sub>J</sub> , T <sub>Stg</sub> |                             | -65       | -    | 175  | °C    |
| Thermal resistance, junction to case per leg    | R <sub>thJC</sub>                 |                             | -         | 1.4  | 1.8  | °C/W  |
| Thermal resistance, junction to ambient per leg | R <sub>thJA</sub>                 |                             | -         | -    | 70   |       |
| Approximate weight                              |                                   |                             | 0.3       |      |      | g     |
|   |                                   |                             | 0.01      |      |      | oz.   |
| Marking device                                  |                                   | Case style TO-252AA (D-PAK) | 15AWL06FN |      |      |       |
|   |                                   |                             | 15EWL06FN |      |      |       |

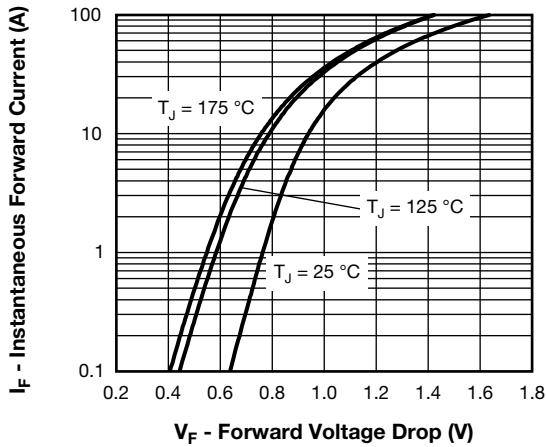


Fig. 1 - Typical Forward Voltage Drop Characteristics

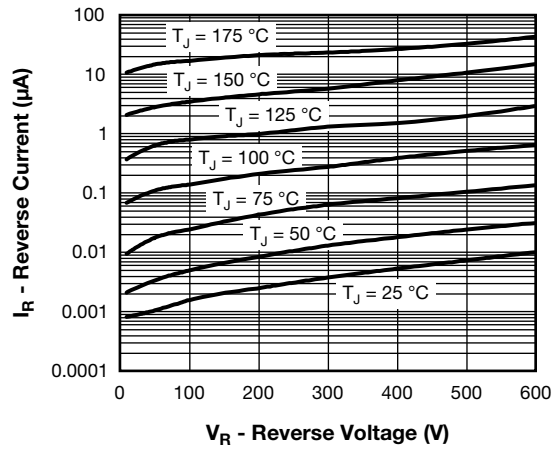


Fig. 2 - Typical Values of Reverse Current vs. Reverse Voltage

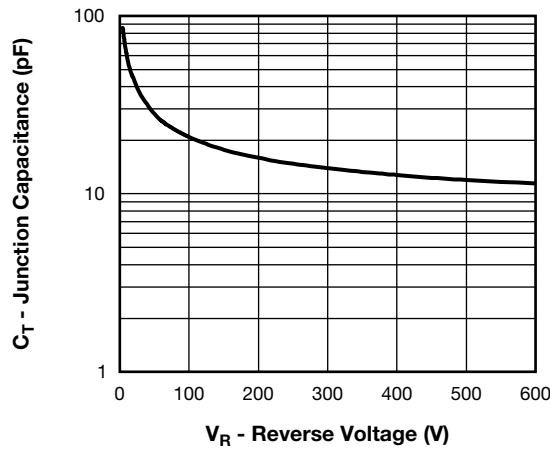


Fig. 3 - Typical Junction Capacitance vs. Reverse Voltage

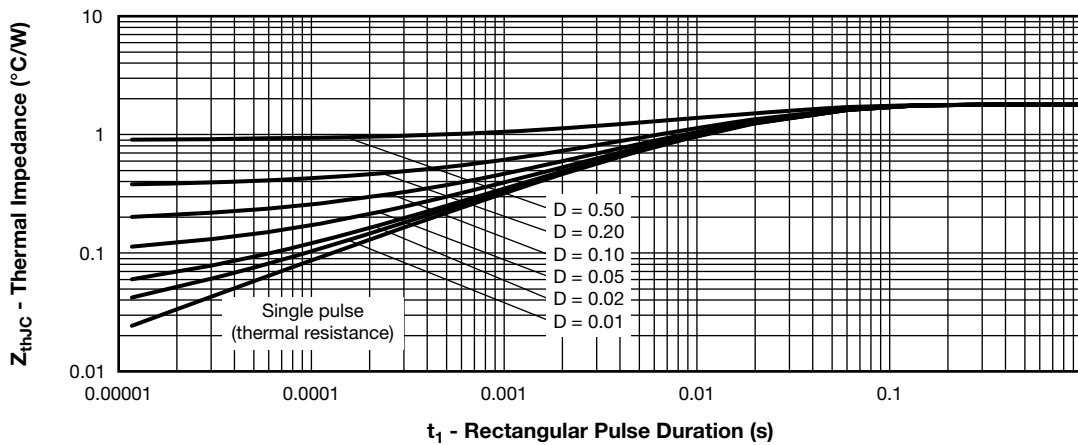


Fig. 4 - Maximum Thermal Impedance  $Z_{thJC}$  Characteristics

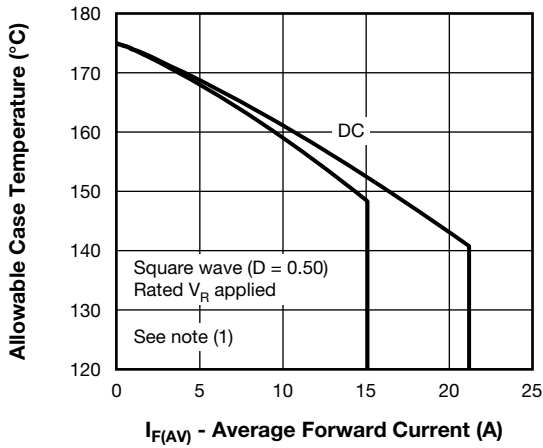


Fig. 5 - Maximum Allowable Case Temperature vs. Average Forward Current

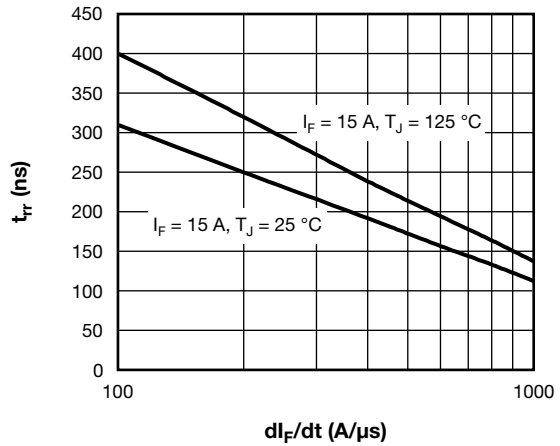


Fig. 7 - Typical Reverse Recovery Time vs.  $dI_F/dt$

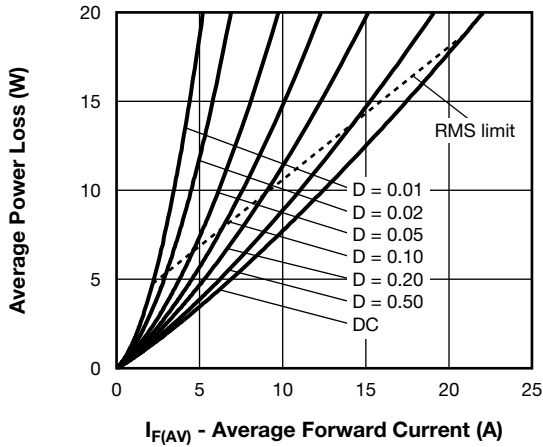


Fig. 6 - Forward Power Loss Characteristics

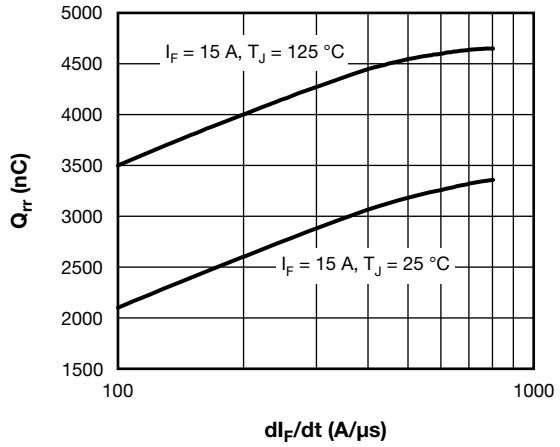


Fig. 8 - Typical Stored Charge vs.  $dI_F/dt$

**Note**

- (1) Formula used:  $T_C = T_J - (P_d + P_{d_{REV}}) \times R_{thJC}$ ;
- $P_d$  = forward power loss =  $I_{F(AV)} \times V_{FM}$  at  $(I_{F(AV)}/D)$  (see fig. 6);
- $P_{d_{REV}}$  = inverse power loss =  $V_{R1} \times I_R (1 - D)$ ;  $I_R$  at  $V_{R1}$  = rated  $V_R$

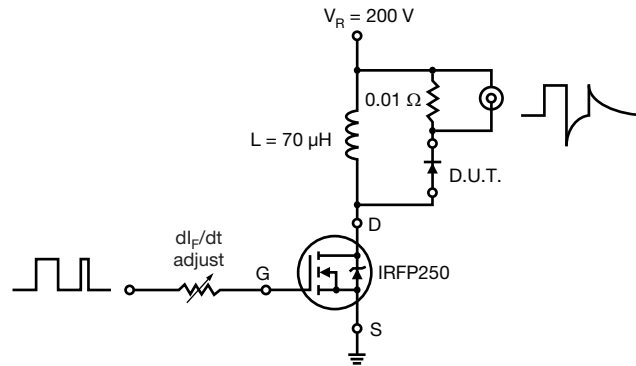
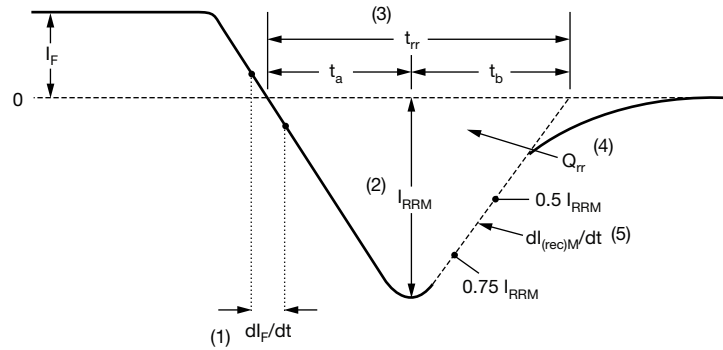


Fig. 9 - Reverse Recovery Parameter Test Circuit

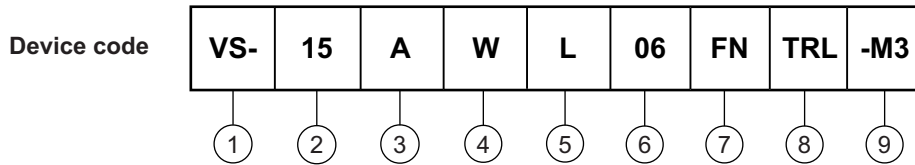


- |   |   |
|---|---|
| <p>(1) <math>di_F/dt</math> - rate of change of current through zero crossing</p> <p>(2) <math>I_{RRM}</math> - peak reverse recovery current</p> <p>(3) <math>t_{rr}</math> - reverse recovery time measured from zero crossing point of negative going <math>I_F</math> to point where a line passing through <math>0.75 I_{RRM}</math> and <math>0.50 I_{RRM}</math> extrapolated to zero current.</p> | <p>(4) <math>Q_{rr}</math> - area under curve defined by <math>t_{rr}</math> and <math>I_{RRM}</math></p> $Q_{rr} = \frac{t_{rr} \times I_{RRM}}{2}$ <p>(5) <math>di_{(rec)M}/dt</math> - peak rate of change of current during <math>t_b</math> portion of <math>t_{rr}</math></p> |
|---|---|

Fig. 10 - Reverse Recovery Waveform and Definitions



## ORDERING INFORMATION TABLE



- 1** - Vishay Semiconductors product
- 2** - Current rating (15 = 15 A)
- 3** - Circuit configuration:
  - A = single diode (2 anodes)
  - E = single diode
- 4** - Package identifier:
  - W = D-PAK
- 5** - L = hyperfast rectifier
- 6** - Voltage rating (06 = 600 V)
- 7** - FN = TO-252AA
- 8** -
  - None = tube
  - TR = tape and reel
  - TRL = tape and reel (left oriented)
  - TRR = tape and reel (right oriented)
- 9** - Environmental digit:
  - M3 = halogen-free, RoHS-compliant and terminations lead (Pb)-free

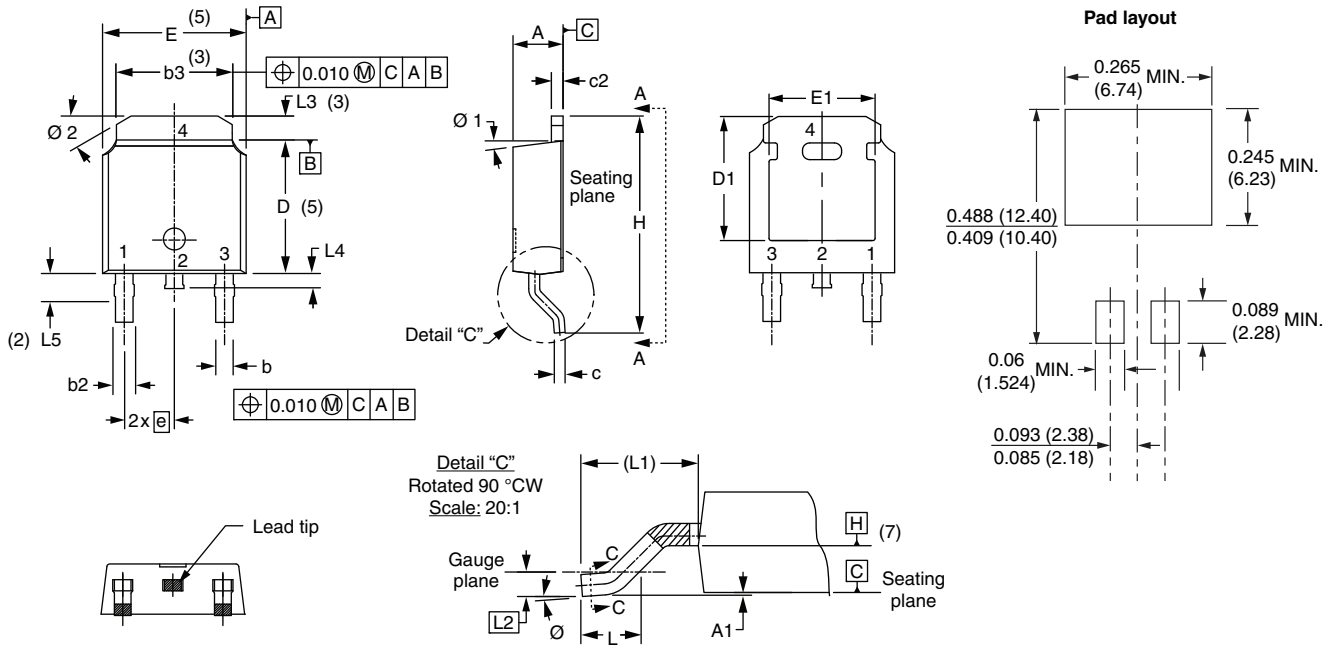
| ORDERING INFORMATION (Example) |                  |                        |                         |
|--------------------------------|------------------|------------------------|-------------------------|
| PREFERRED P/N                  | QUANTITY PER T/R | MINIMUM ORDER QUANTITY | PACKAGING DESCRIPTION   |
| VS-15AWL06FN-M3                | 75               | 3000                   | Antistatic plastic tube |
| VS-15EWL06FN-M3                |                  |                        |                         |
| VS-15AWL06FNTR-M3              | 2000             | 2000                   | 13" diameter reel       |
| VS-15EWL06FNTR-M3              |                  |                        |                         |
| VS-15AWL06FNTRL-M3             | 3000             | 3000                   | 13" diameter reel       |
| VS-15EWL06FNTRL-M3             |                  |                        |                         |
| VS-15AWL06FNTRR-M3             | 3000             | 3000                   | 13" diameter reel       |
| VS-15EWL06FNTRR-M3             |                  |                        |                         |

| LINKS TO RELATED DOCUMENTS |  |
|----------------------------|--|
| Dimensions                 | <a href="http://www.vishay.com/doc?95627">www.vishay.com/doc?95627</a> |
| Part marking information   | <a href="http://www.vishay.com/doc?95176">www.vishay.com/doc?95176</a> |
| Packaging information      | <a href="http://www.vishay.com/doc?95033">www.vishay.com/doc?95033</a> |
| SPIICE model               | <a href="http://www.vishay.com/doc?95372">www.vishay.com/doc?95372</a> |



# D-PAK (TO-252AA) "M"

**DIMENSIONS** in millimeters and inches



| SYMBOL | MILLIMETERS |      | INCHES |       | NOTES | SYMBOL | MILLIMETERS |       | INCHES     |       | NOTES |
|--------|-------------|------|--------|-------|-------|--------|-------------|-------|------------|-------|-------|
|        | MIN.        | MAX. | MIN.   | MAX.  |       |        | MIN.        | MAX.  | MIN.       | MAX.  |       |
| A      | 2.18        | 2.39 | 0.086  | 0.094 |       | e      | 2.29 BSC    |       | 0.090 BSC  |       |       |
| A1     | -           | 0.13 | -      | 0.005 |       | H      | 9.40        | 10.41 | 0.370      | 0.410 |       |
| b      | 0.64        | 0.89 | 0.025  | 0.035 |       | L      | 1.40        | 1.78  | 0.055      | 0.070 |       |
| b2     | 0.76        | 1.14 | 0.030  | 0.045 |       | L1     | 2.74 BSC    |       | 0.108 REF. |       |       |
| b3     | 4.95        | 5.46 | 0.195  | 0.215 | 3     | L2     | 0.51 BSC    |       | 0.020 BSC  |       |       |
| c      | 0.46        | 0.61 | 0.018  | 0.024 |       | L3     | 0.89        | 1.27  | 0.035      | 0.050 | 3     |
| c2     | 0.46        | 0.89 | 0.018  | 0.035 |       | L4     | -           | 1.02  | -          | 0.040 |       |
| D      | 5.97        | 6.22 | 0.235  | 0.245 | 5     | L5     | 1.14        | 1.52  | 0.045      | 0.060 | 2     |
| D1     | 5.21        | -    | 0.205  | -     | 3     | Ø      | 0°          | 10°   | 0°         | 10°   |       |
| E      | 6.35        | 6.73 | 0.250  | 0.265 | 5     | Ø1     | 0°          | 15°   | 0°         | 15°   |       |
| E1     | 4.32        | -    | 0.170  | -     | 3     | Ø2     | 25°         | 35°   | 25°        | 35°   |       |

**Notes**

- (1) Dimensioning and tolerancing as per ASME Y14.5M-1994
- (2) Lead dimension uncontrolled in L5
- (3) Dimension D1, E1, L3 and b3 establish a minimum mounting surface for thermal pad
- (4) Section C - C dimension apply to the flat section of the lead between 0.13 and 0.25 mm (0.005 and 0.10") from the lead tip
- (5) Dimension D, and E do not include mold flash. Mold flash shall not exceed 0.127 mm (0.005") per side. These dimensions are measured at the outermost extremes of the plastic body
- (6) Dimension b1 and c1 applied to base metal only
- (7) Datum A and B to be determined at datum plane H
- (8) Outline conforms to JEDEC® outline TO-252AA



## **Disclaimer**

ALL PRODUCT, PRODUCT SPECIFICATIONS AND DATA ARE SUBJECT TO CHANGE WITHOUT NOTICE TO IMPROVE RELIABILITY, FUNCTION OR DESIGN OR OTHERWISE.

Vishay Intertechnology, Inc., its affiliates, agents, and employees, and all persons acting on its or their behalf (collectively, "Vishay"), disclaim any and all liability for any errors, inaccuracies or incompleteness contained in any datasheet or in any other disclosure relating to any product.

Vishay makes no warranty, representation or guarantee regarding the suitability of the products for any particular purpose or the continuing production of any product. To the maximum extent permitted by applicable law, Vishay disclaims (i) any and all liability arising out of the application or use of any product, (ii) any and all liability, including without limitation special, consequential or incidental damages, and (iii) any and all implied warranties, including warranties of fitness for particular purpose, non-infringement and merchantability.

Statements regarding the suitability of products for certain types of applications are based on Vishay's knowledge of typical requirements that are often placed on Vishay products in generic applications. Such statements are not binding statements about the suitability of products for a particular application. It is the customer's responsibility to validate that a particular product with the properties described in the product specification is suitable for use in a particular application. Parameters provided in datasheets and / or specifications may vary in different applications and performance may vary over time. All operating parameters, including typical parameters, must be validated for each customer application by the customer's technical experts. Product specifications do not expand or otherwise modify Vishay's terms and conditions of purchase, including but not limited to the warranty expressed therein.

Except as expressly indicated in writing, Vishay products are not designed for use in medical, life-saving, or life-sustaining applications or for any other application in which the failure of the Vishay product could result in personal injury or death. Customers using or selling Vishay products not expressly indicated for use in such applications do so at their own risk. Please contact authorized Vishay personnel to obtain written terms and conditions regarding products designed for such applications.

No license, express or implied, by estoppel or otherwise, to any intellectual property rights is granted by this document or by any conduct of Vishay. Product names and markings noted herein may be trademarks of their respective owners.



# Mouser Electronics

Authorized Distributor

Click to View Pricing, Inventory, Delivery & Lifecycle Information:

[Vishay:](#)

[VS-15AWL06FNTR-M3](#) [VS-15EWL06FNTR-M3](#) [VS-15EWL06FN-M3](#) [VS-15ETX06FP-N3](#) [VS-15AWL06FN-M3](#) [VS-15EWL06FNTRL-M3](#) [VS-15EWL06FNTRR-M3](#) [VS-15AWL06FNTRL-M3](#) [VS-15AWL06FNTRR-M3](#)