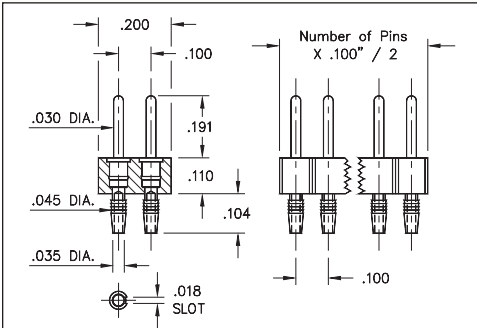
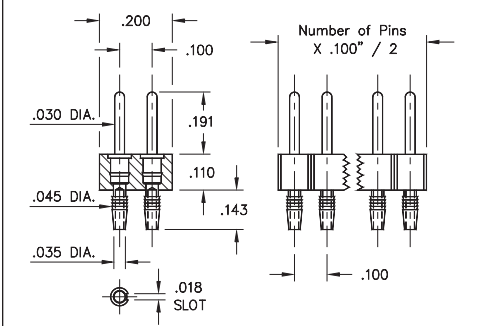


# INTERCONNECTS

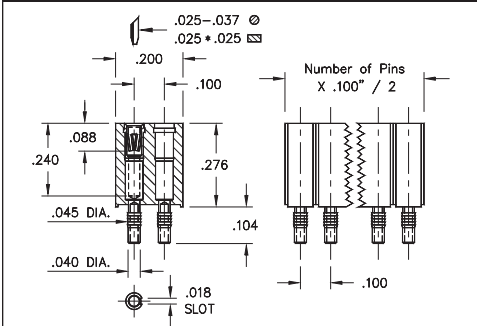
## SERIES 802 & 803 • .100" GRID (.030" DIA. PINS), SOLDERLESS PRESS-FIT • DOUBLE ROW STRIPS



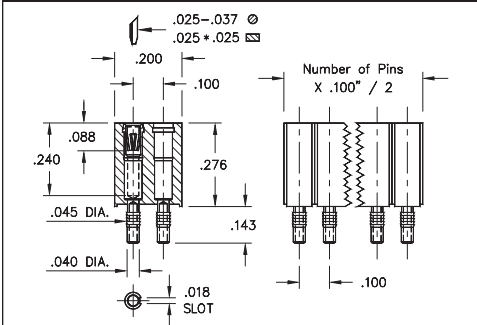
**FIG. 1**



**FIG. 2**

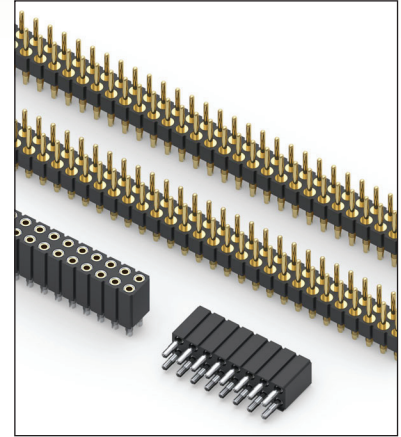


**FIG. 3**



**FIG. 4**

- The unique compliant tail pins conform to .040"±.003" finished hole without stressing inner layers. Patent No. 4,799,904
- Headers and sockets are available for board thicknesses of .060" - .100" and .090" - .130". See ordering information for details
- Series 802 pin headers use MM #5601 and #5602 compliant tail pins featuring a .030" dia. mating lead. See page 220 for details
- Series 803 sockets with MM #4614 or #4615 pins use Hi-Rel, 6-finger BeCu #47 contact rated at 4.5 amps. Receptacles accept .030" diameter pins & .025" square pins. See pg. 256 for details
- Insulators are high temperature thermoplastic



### ORDERING INFORMATION

<b>FIG. 1</b>	<b>Compliant Tail Pin Header for .060" - .100" Thick Boards</b>			
	802-XX-0__-61-001000 Specify number of pins    04-64			
<b>FIG. 2</b>	<b>Compliant Tail Pin Header for .090" - .130" Thick Boards</b>			
	802-XX-0__-62-001000 Specify number of pins    04-64			
<div style="display: flex; justify-content: space-around; align-items: center;"> <div style="border: 1px solid black; padding: 5px; background-color: #c8e6c9;">RoHS-2 2011/65/EU</div> <div style="border: 1px solid black; border-radius: 50%; padding: 5px;">XX=Plating Code See Below</div> <div style="border: 1px solid black; border-radius: 50%; padding: 5px;">For Electrical, Mechanical &amp; Environmental Data, See page 264</div> </div>				
<b>SPECIFY PLATING CODE XX=</b>				
Pin Plating				
	10	90	40	
	10 μ" Au	200 μ" Sn/Pb	200 μ" Sn	

<b>FIG. 3</b>	<b>Compliant Tail Socket for .060" - .100" Thick Boards</b>							
	803-XX-__-61-001000 Specify number of pins    004-100							
<b>FIG. 4</b>	<b>Compliant Tail Socket for .090" - .130" Thick Boards</b>							
	803-XX-__-62-001000 Specify number of pins    004-100							
<div style="display: flex; justify-content: space-around; align-items: center;"> <div style="border: 1px solid black; padding: 5px; background-color: #c8e6c9;">RoHS-2 2011/65/EU</div> <div style="border: 1px solid black; border-radius: 50%; padding: 5px;">XX=Plating Code See Below</div> <div style="border: 1px solid black; border-radius: 50%; padding: 5px;">For Electrical, Mechanical &amp; Environmental Data, See page 264</div> </div>								
<b>SPECIFY PLATING CODE XX=</b>								
Sleeve (Pin)								
Contact (Clip)								
	11	13	91	93	99	41	43	44
	10 μ" Au	10 μ" Au	200 μ" Sn/Pb	200 μ" Sn/Pb	200 μ" Sn/Pb	200 μ" Sn	200 μ" Sn	200 μ" Sn
	10 μ" Au	30 μ" Au	10 μ" Au	30 μ" Au	100 μ" Sn/Pb	10 μ" Au	30 μ" Au	100 μ" Sn



# Mouser Electronics

Authorized Distributor

Click to View Pricing, Inventory, Delivery & Lifecycle Information:

## Mill-Max:

[803-99-100-62-001000](#) [803-99-100-61-001000](#) [803-99-072-62-001000](#) [803-99-072-61-001000](#) [803-93-072-62-001000](#) [803-93-072-61-001000](#) [802-90-064-62-001000](#) [802-90-064-61-001000](#) [803-43-100-62-001000](#) [803-43-100-61-001000](#) [802-10-064-62-001000](#) [802-10-064-61-001000](#) [803-93-100-61-001000](#) [803-93-100-62-001000](#) [803-43-072-62-001000](#) [803-43-072-61-001000](#) [802-40-064-62-001000](#) [802-40-064-61-001000](#) [803-93-026-61-001000](#) [803-43-004-62-001000](#) [803-43-008-61-001000](#) [803-43-006-61-001000](#) [803-43-010-62-001000](#) [803-43-064-62-001000](#) [803-43-006-62-001000](#) [803-43-004-61-001000](#) [803-43-064-61-001000](#) [803-43-010-61-001000](#) [803-43-008-62-001000](#) [803-43-024-20-001000](#) [803-43-012-62-001000](#) [803-43-028-62-001000](#)