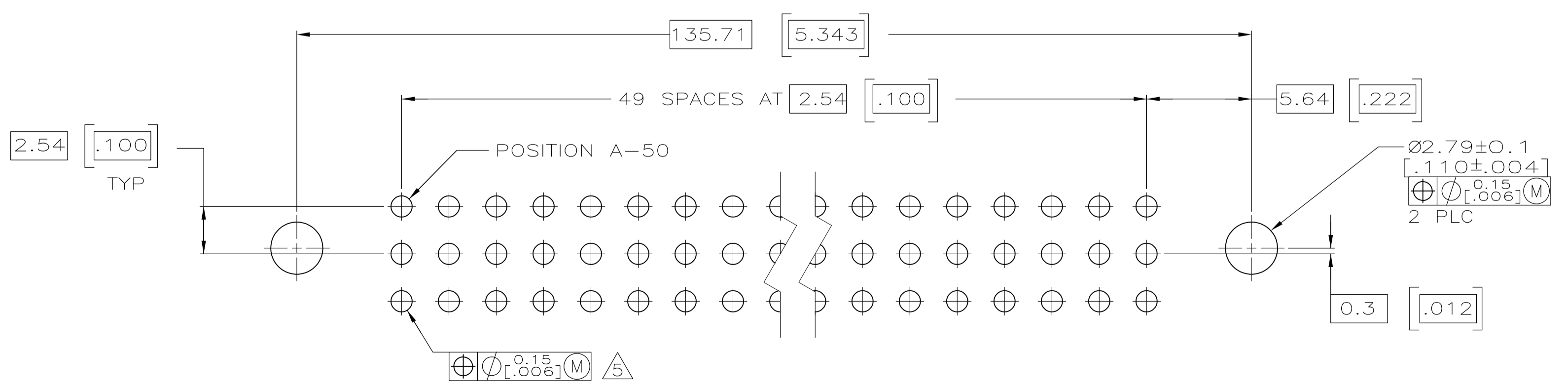
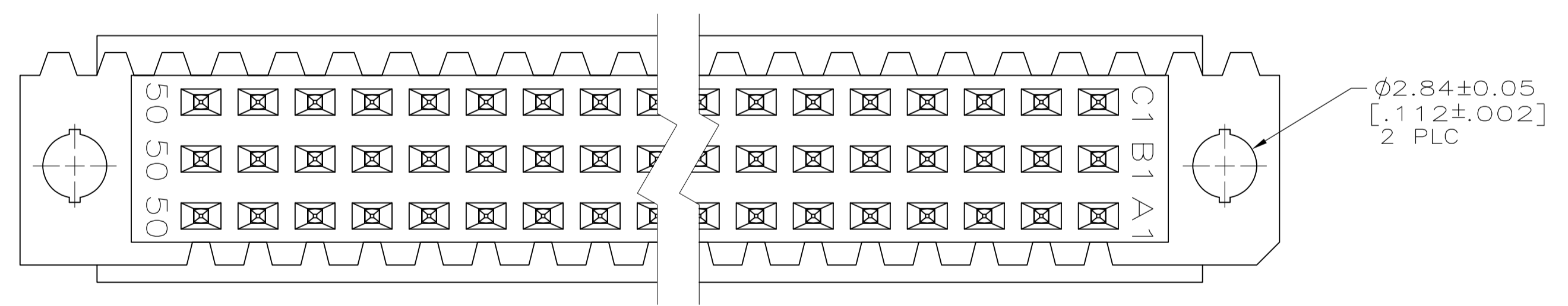
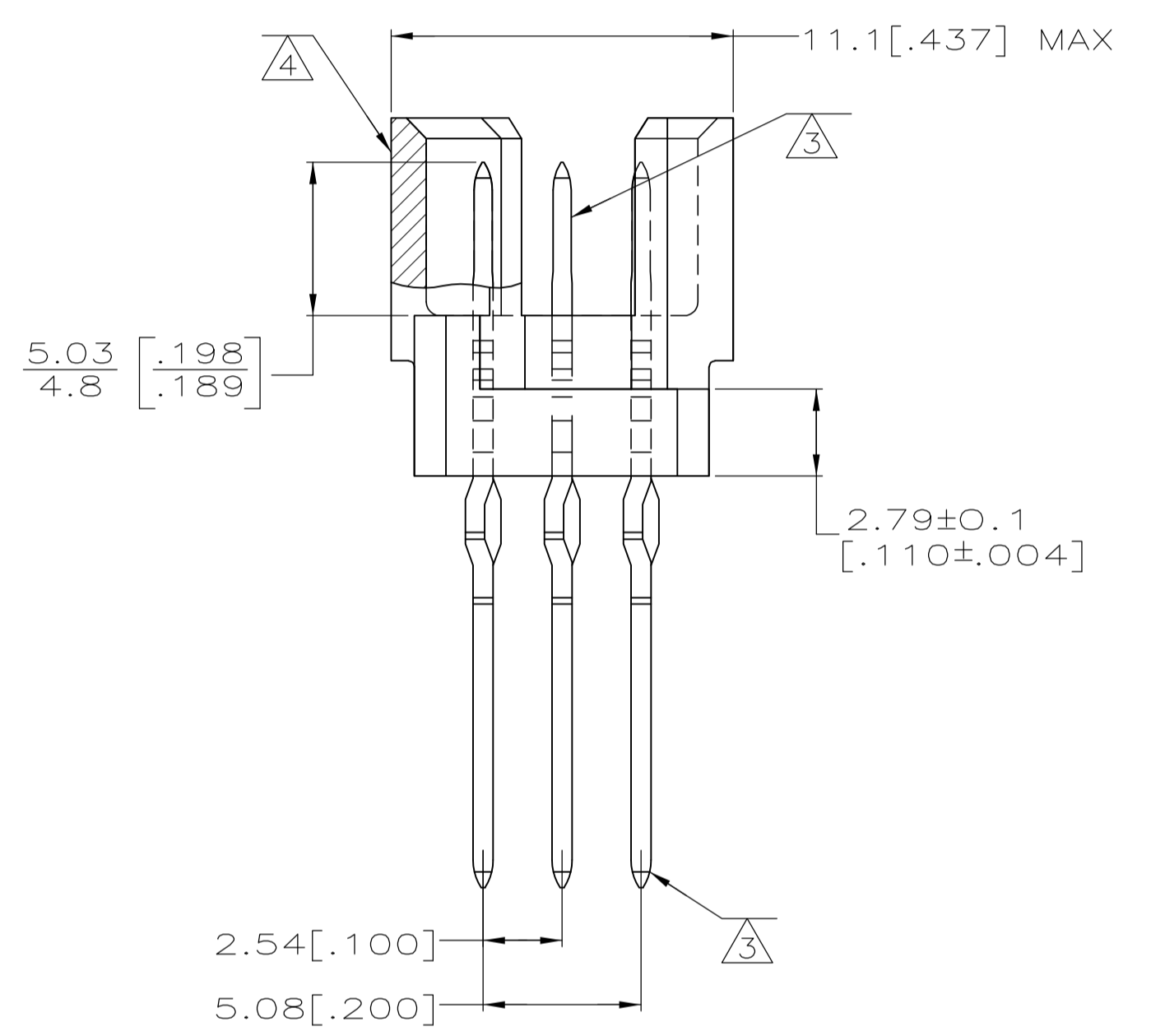
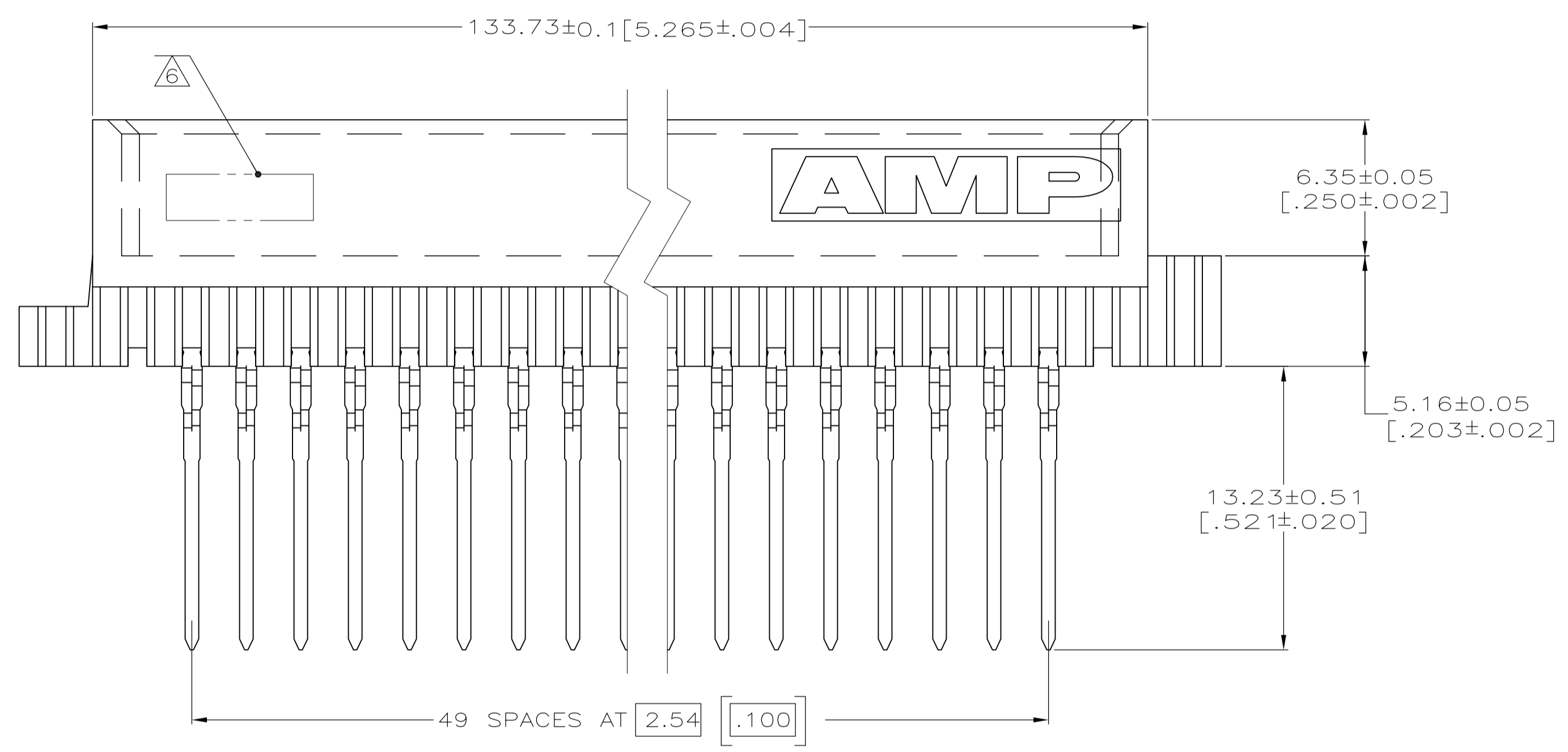


- ① HOUSING MATERIAL: GLASS-FILLED POLYMER.
- ② POST MATERIAL: COPPER ALLOY.
- ③ POST FINISH: DIN 41612 CLASS 2 IN CONTACT AREA. TIN PLATE ON POSTS.
- ④ MARKING ON THIS SIDE.
- ⑤ ACTION PIN POSTS REQUIRE 2.36[.093] MINIMUM THICK PC BOARD. RECOMMENDED PC BOARD HOLES ARE 1.151[.0453] DIA PLATED THROUGH WITH 0.02-0.08[.001-.003] COPPER AND 0.008[.0003] MINIMUM TIN-LEAD PLATING. FINISHED HOLE AFTER PLATING, 0.94-1.09[.037-.043] DIA.
- ⑥ PART NUMBER, DATE CODE MARKED THIS APPROXIMATE AREA.



PC BOARD LAYOUT

1-50	X	X	X	150	5650923-5
POSITIONS LOADED	C	B	A	NO. OF LOADED POSITION	ASSY PART NUMBER

THIS DRAWING IS A CONTROLLED DOCUMENT.

DIMENSIONS: mm [INCHES]	TOLERANCES UNLESS OTHERWISE SPECIFIED:	DIN 1 POLIGNONE	OSMAYOS
0 PLC ± -	1 PLC ± -	2 SHARPE	OSMAYOS NAME
2 PLC ± -	3 PLC ± 0.13[.005]	3 SHARPE	PRODUCT SPEC
4 PLC ± -	ANGLES ± -		
MATERIAL	FINISH	SIZE	CAGE CODE
		A1	00779
		DRAWING NO	5650923
		WEIGHT	
		CUSTOMER DRAWING	SCALE 5:1

STE PRELIMINARY

ASSEMBLY, PIN, EUROCARD, TYPE R, 150 POSITION, 13.23[.521] PRESS-FIT POSTS

RESTRICTED TO

SHEET 1 OF 1 REV A