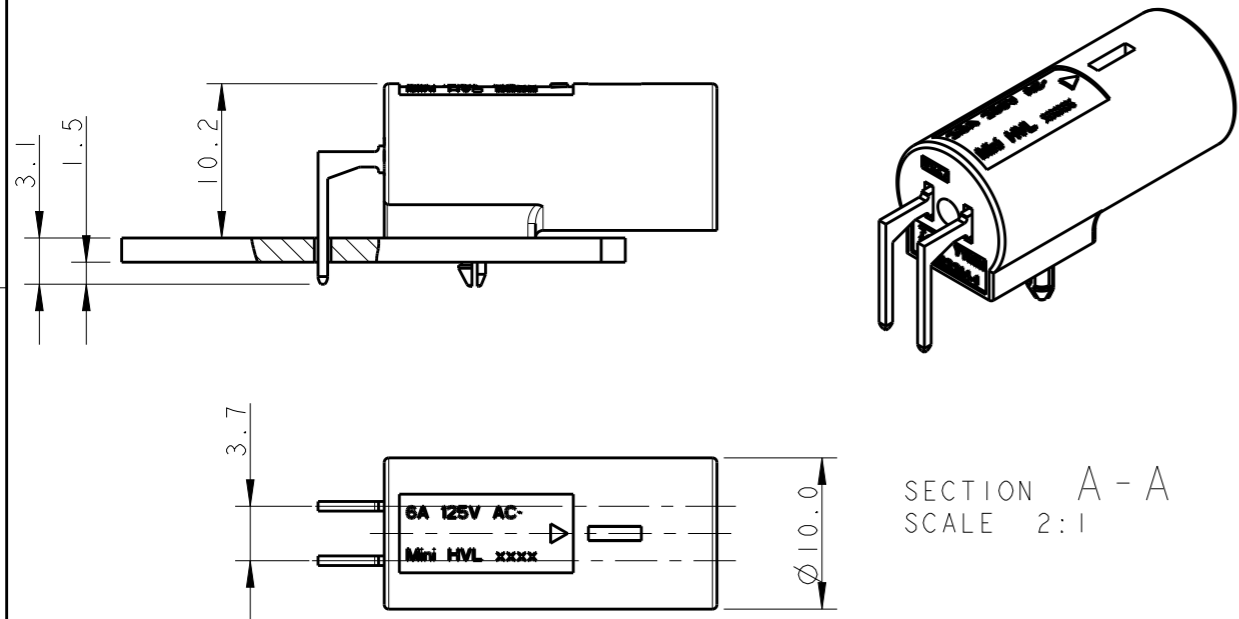


THIS DRAWING IS UNPUBLISHED. RELEASED FOR PUBLICATION 20  
 © COPYRIGHT 20 BY - ALL RIGHTS RESERVED.

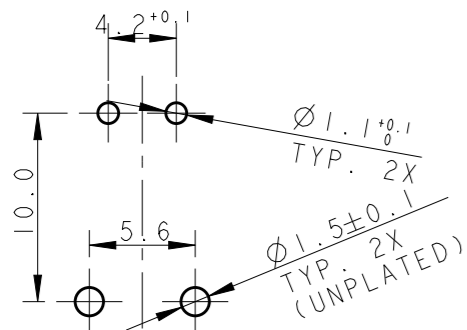
LOC	DIST	REVISIONS			
P	LTR	DESCRIPTION	DATE	DWN	APVD
	E	CHANGED PCB LAYOUT	01SEP2008	J.S.	G.T.
	F	DELETED PART REVISION TABLE	18MAR2009	JS	PEG
	F1	REVISED PCB HOLES LAYOUT	04APR2011	AV	GT
	F2	REVISED PER ECR-13-009678	18SEP2013	RS	DD

### TYPICAL APPLICATION



#### PRINTED CIRCUIT BOARD LAYOUT FOR LOW VOLTAGE VERSION

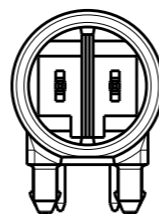
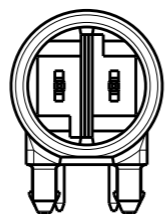
TOLERANCES UNLESS OTHERWISE SPECIFIED  $\pm 0.05$   
 PRINTED CIRCUIT BOARD THICKNESS: 1.6 mm NOMINAL



#### HIGH VOLTAGE

P/N 293315-1;-2;-6;-7  
 KEYING HV-1

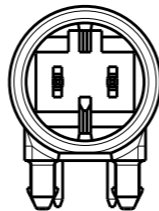
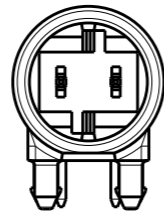
P/N 293315-3  
 KEYING HV-3



#### LOW VOLTAGE

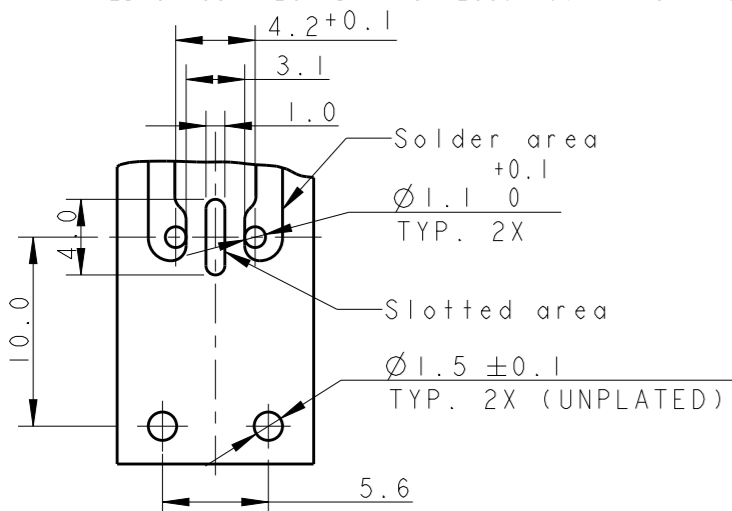
P/N 293315-4  
 KEYING LV-1

P/N 293315-5  
 KEYING LV-2



#### PRINTED CIRCUIT BOARD LAYOUT FOR HIGH VOLTAGE VERSION

TOLERANCES UNLESS OTHERWISE SPECIFIED  $\pm 0.05$   
 PRINTED CIRCUIT BOARD THICKNESS: 1.6 mm NOMINAL



- NOTE:
- 1 TIN PLATED CONTACTS
  - 2 GOLD PLATED CONTACTS
  - 3 MATERIAL HOUSING PA66 25%GFF UL94 V0

NOTE	KEYING	REMARKS	PART NUMBER	COLOR
2	HV-1	HIGH-VOLT 250 V AC	293315-7	BLACK
2	HV-1	HIGH-VOLT 250 V AC	293315-6	WHITE
1	LV-2	LOW-VOLT 42 V DC	293315-5	YELLOW
1	LV-1	LOW-VOLT 42 V AC	293315-4	LIGHT GREY
1	HV-3	HIGH-VOLT 125 V AC	293315-3	BLUE
1	HV-1	HIGH-VOLT 250 V AC	293315-2	BLACK
1	HV-1	HIGH-VOLT 250 V AC	293315-1	WHITE

THIS DRAWING IS A CONTROLLED DOCUMENT.

DIMENSIONS:	TOLERANCES UNLESS OTHERWISE SPECIFIED:
mm	
	0 PLC $\pm 0.3$
	1 PLC $\pm 0.1$
	2 PLC $\pm 0.1$
	3 PLC $\pm 0.1$
	4 PLC $\pm 0.1$
	ANGLES $\pm 0.5^\circ$

MATERIAL - FINISH -

DWN	20JUN2007
CHK	R. FRABONI
APVD	J. SALO
PRODUCT SPEC	11FEB2008
APPLICATION SPEC	11FEB2008
WEIGHT	108-94018
	114-32102

TE Connectivity		NAME	
		7.5 mm PCB CONNECTOR ASSEMBLY 90 DEGREE MALE VERSION	
SIZE	CAGE CODE	DRAWING NO	RESTRICTED TO
A3	00779	C-293315	-

Customer Drawing SCALE 2:1 SHEET 1 OF 1 REV F2

# Mouser Electronics

Authorized Distributor

Click to View Pricing, Inventory, Delivery & Lifecycle Information:

[TE Connectivity:](#)

[293315-2](#)