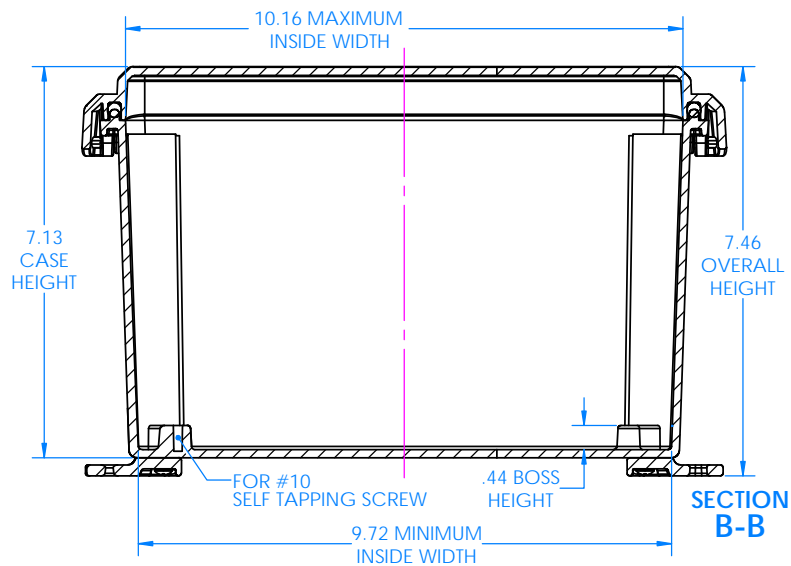
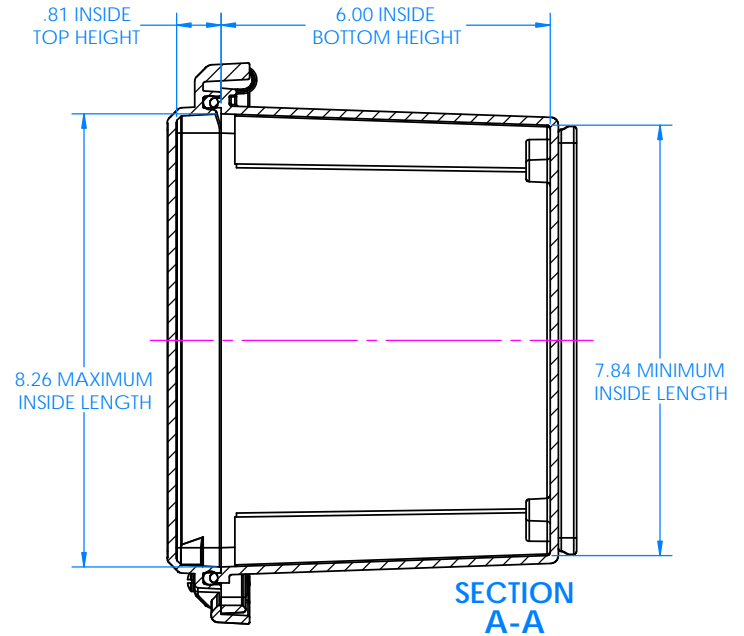
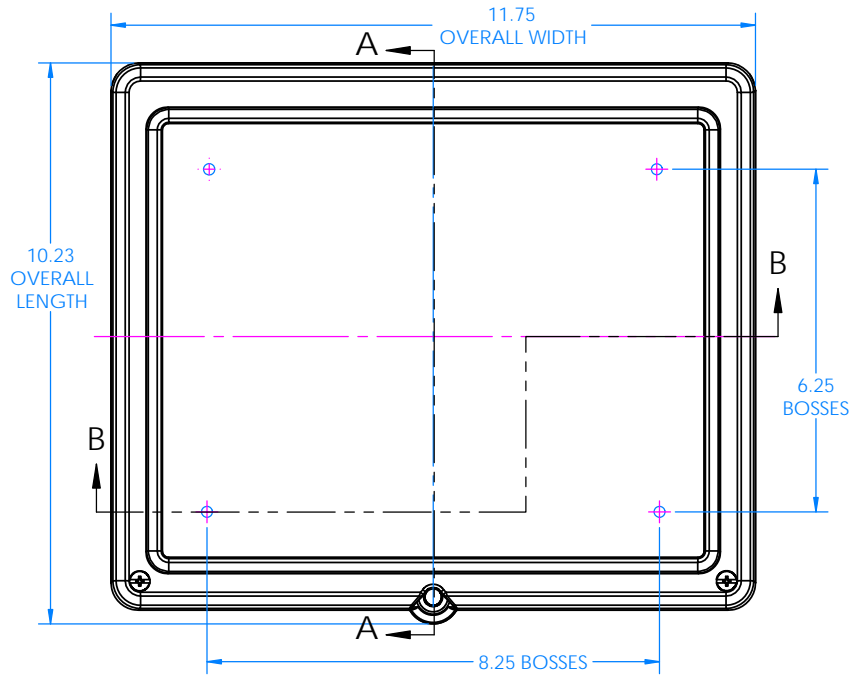
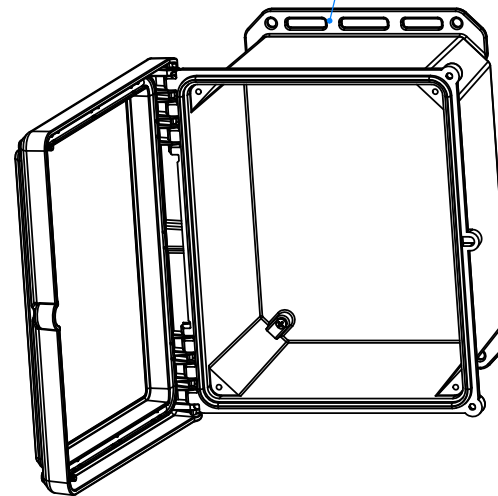


SERPAC I352HS

Electronic Enclosures



2 Mounting Brackets included, see sheet 2 for dimensions and for optional mounting Corner Feet and Brackets.



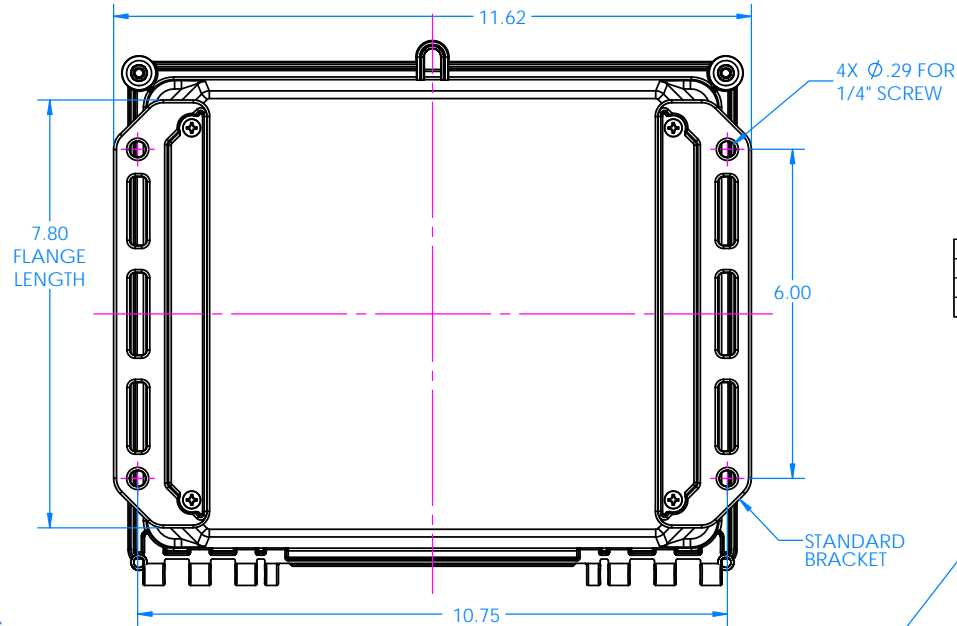
Aluminum and Plastic Panel Kits are available as options, see sheets 3-6. The aluminum panel options are:
 Bottom Panel Kit p/n 7200B
 Top Panel Kit p/n 7200T
 Hinged Panel Kit p/n 7200TH
 The plastic panel option is:
 Hinged Panel Kit p/n 7200HP

-Material: UV stabilized Polycarbonate
 Flammability UL 94 V-2
 -Watertight enclosure meets or exceeds Nema 4 and or IP67.

PARTS INCLUDED		
P/N	Qty.	Description
I352HST	1	I352 Hinge Screws Top
I350HSB	1	I350 Hinge Latch Bottom
8350	1	350 Perimeter O-ring
1305	2	Mounting Bracket
6028	4	SS #10 X 5/8" Pan H/L
6031	2	#10-32 X 1" Screw
6104	2	10-32 Threaded Insert
8001	2	O-Ring for Screw

I352/I342 Mounting Bracket Dimensions

TOP REMOVED FOR CLARITY FROM ALL VIEWS

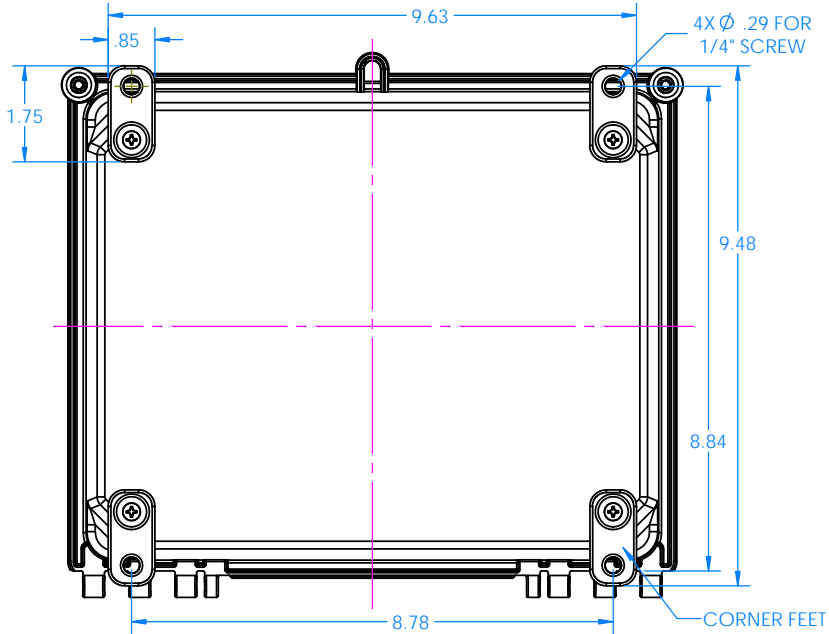


STANDARD INCLUDED MOUNTING BRACKETS

PARTS INCLUDED		
P/N	Qty.	Description
1305	2	Mounting Bracket
6028	4	SS #10 X 5/8" Pan Combo H/L Screw

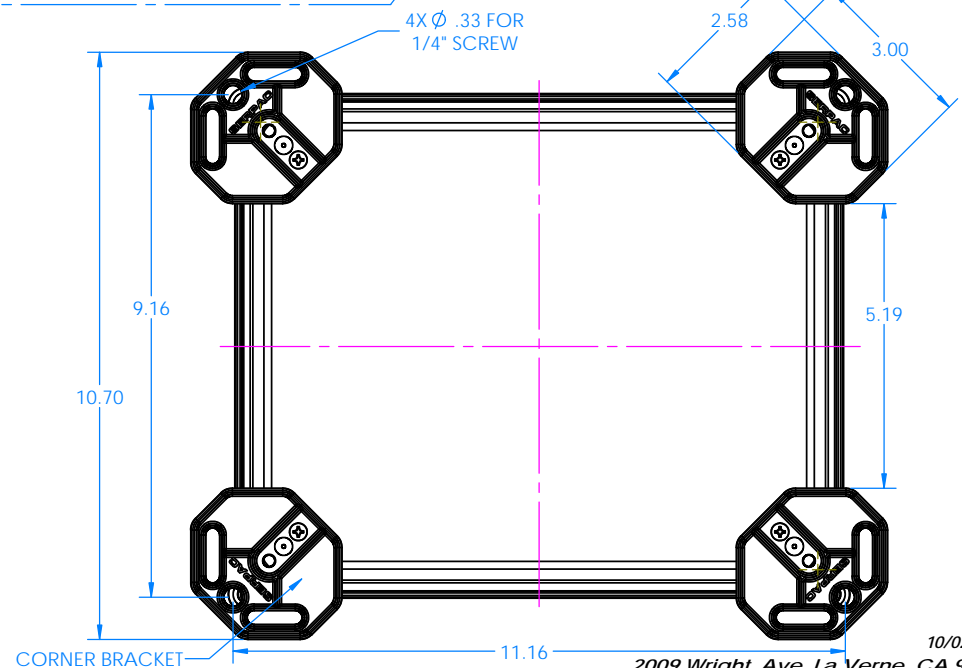
OPTIONAL CORNER FEET

PARTS INCLUDED		
P/N	Qty.	Description
1306	4	Mounting Corner Feet
6028	4	SS #10 X 5/8" Pan Combo H/L Screw

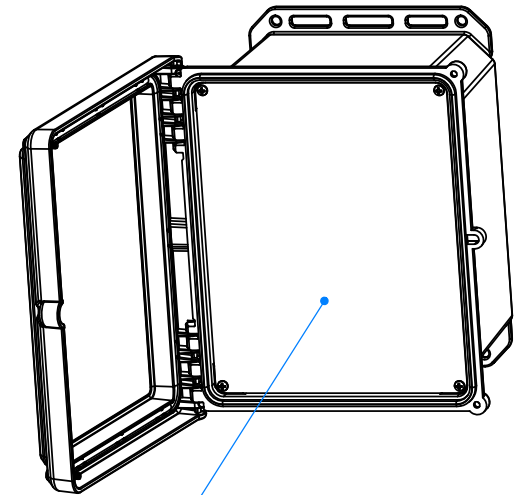
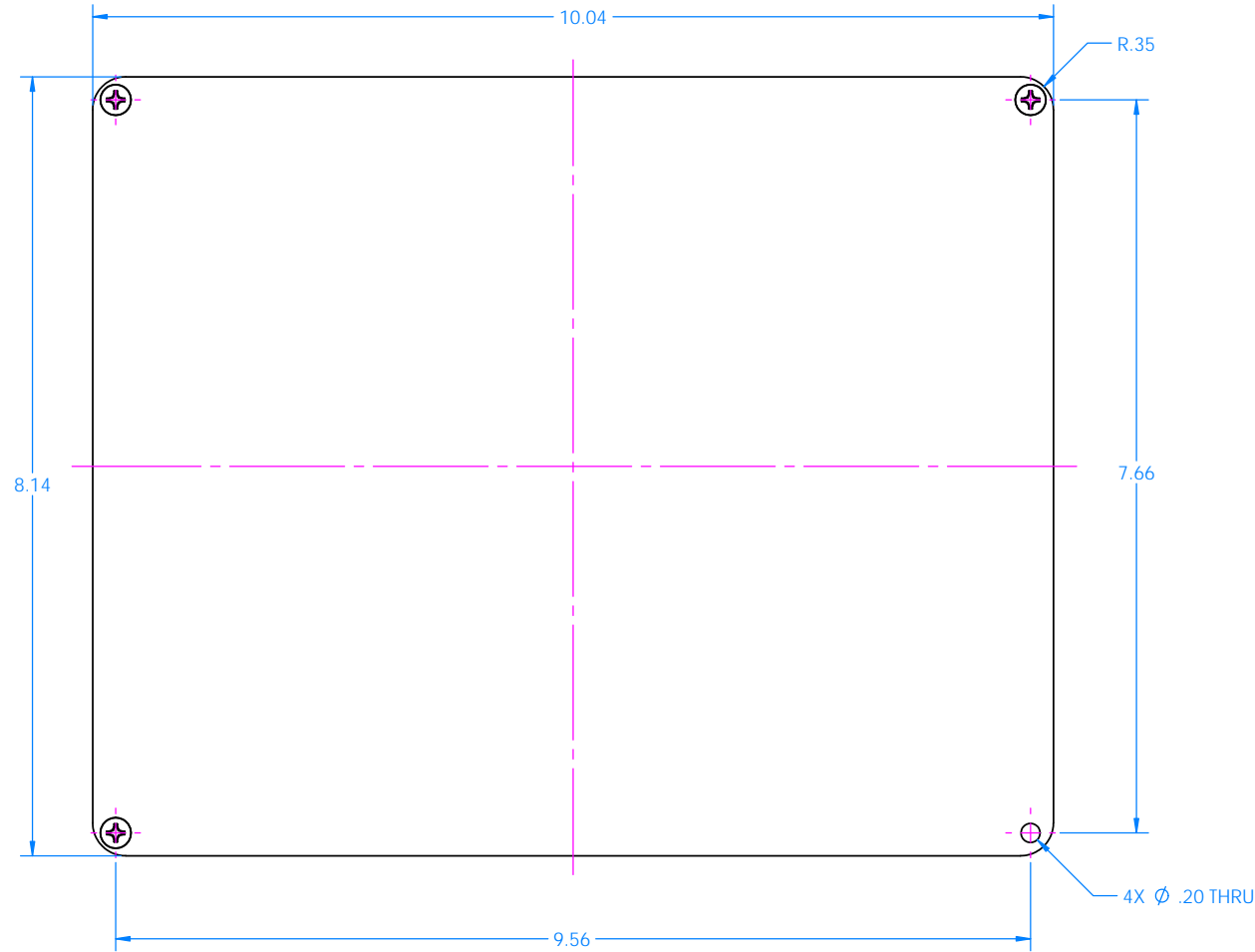


OPTIONAL CORNER BRACKETS

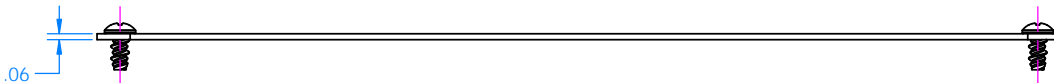
PARTS INCLUDED		
P/N	Qty.	Description
1355	4	Mounting Corner Bracket
6028	4	SS #10 X 5/8" Pan Combo H/L Screw



7200T Top Panel Kit for 352HL, 342HL, 352HS, 342HS, 352S and 342S



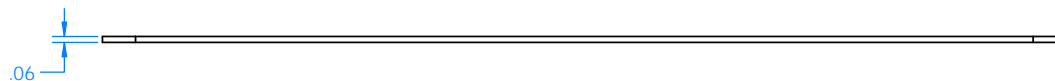
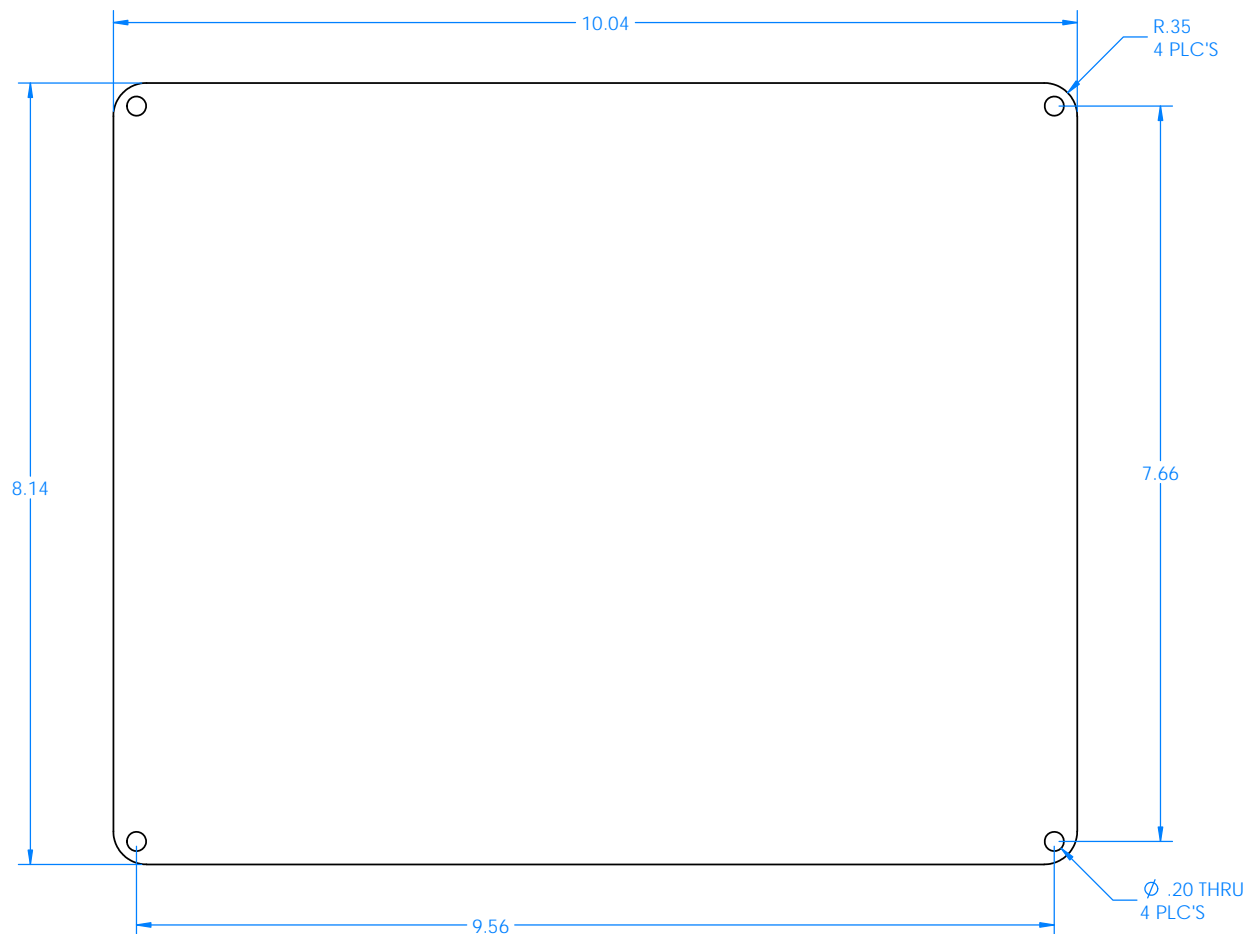
OPTIONAL ACCESSORY



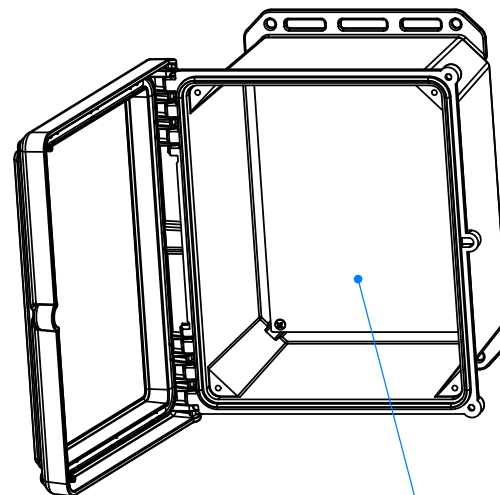
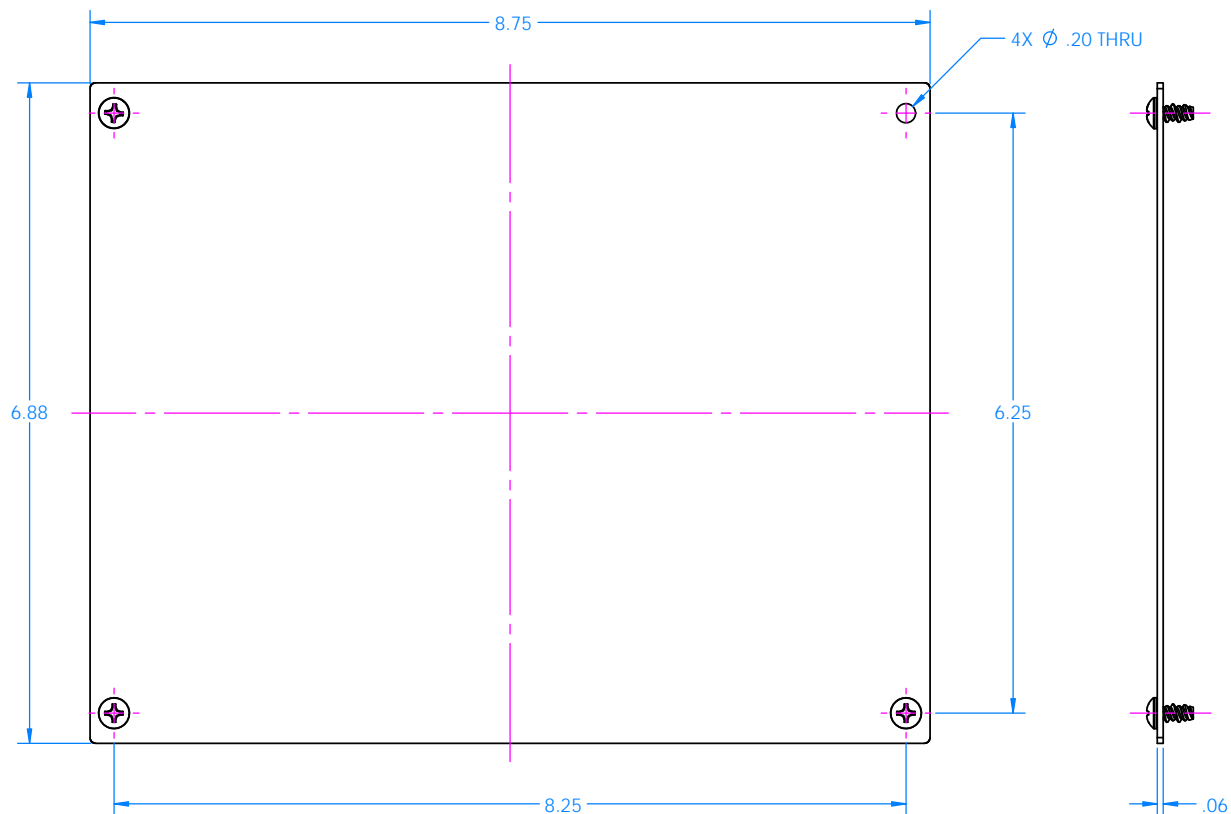
PARTS INCLUDED		
P/N	Qty.	Description
72040	1	Top Aluminum Panel
6029	4	SS #10 X 3/8" Pan HL Screw

72040 AP-1 Top Alum Panel

352HL, 342HL, 352HS, 342HS, 352S and 342S



7200B Bottom Panel Kit for 352HL, 342HL, 352HS, 342HS, 352S and 342S

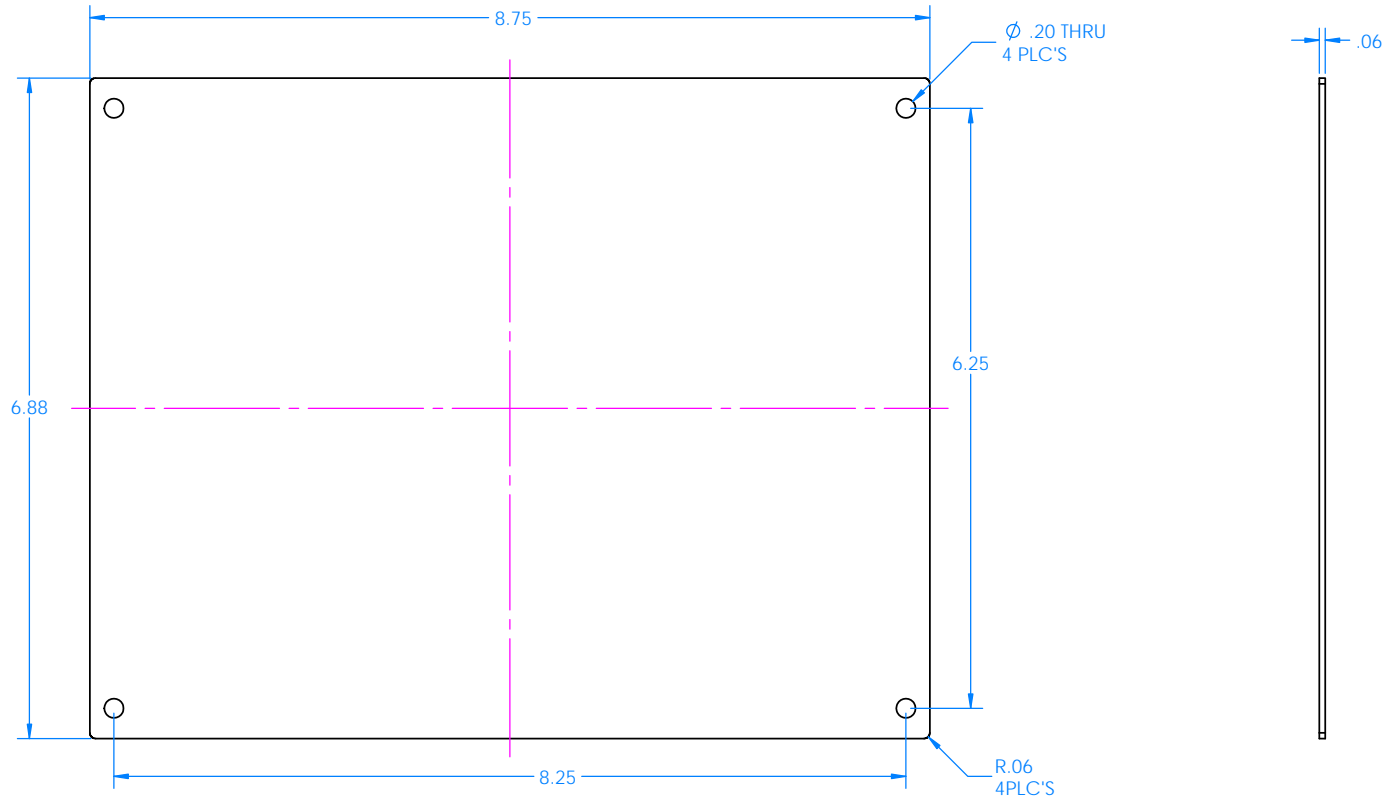


OPTIONAL ACCESSORY

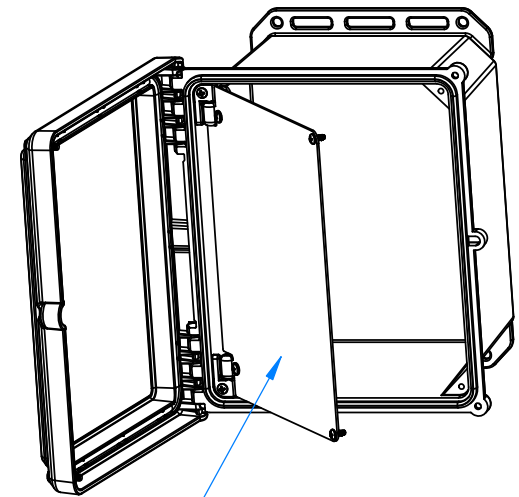
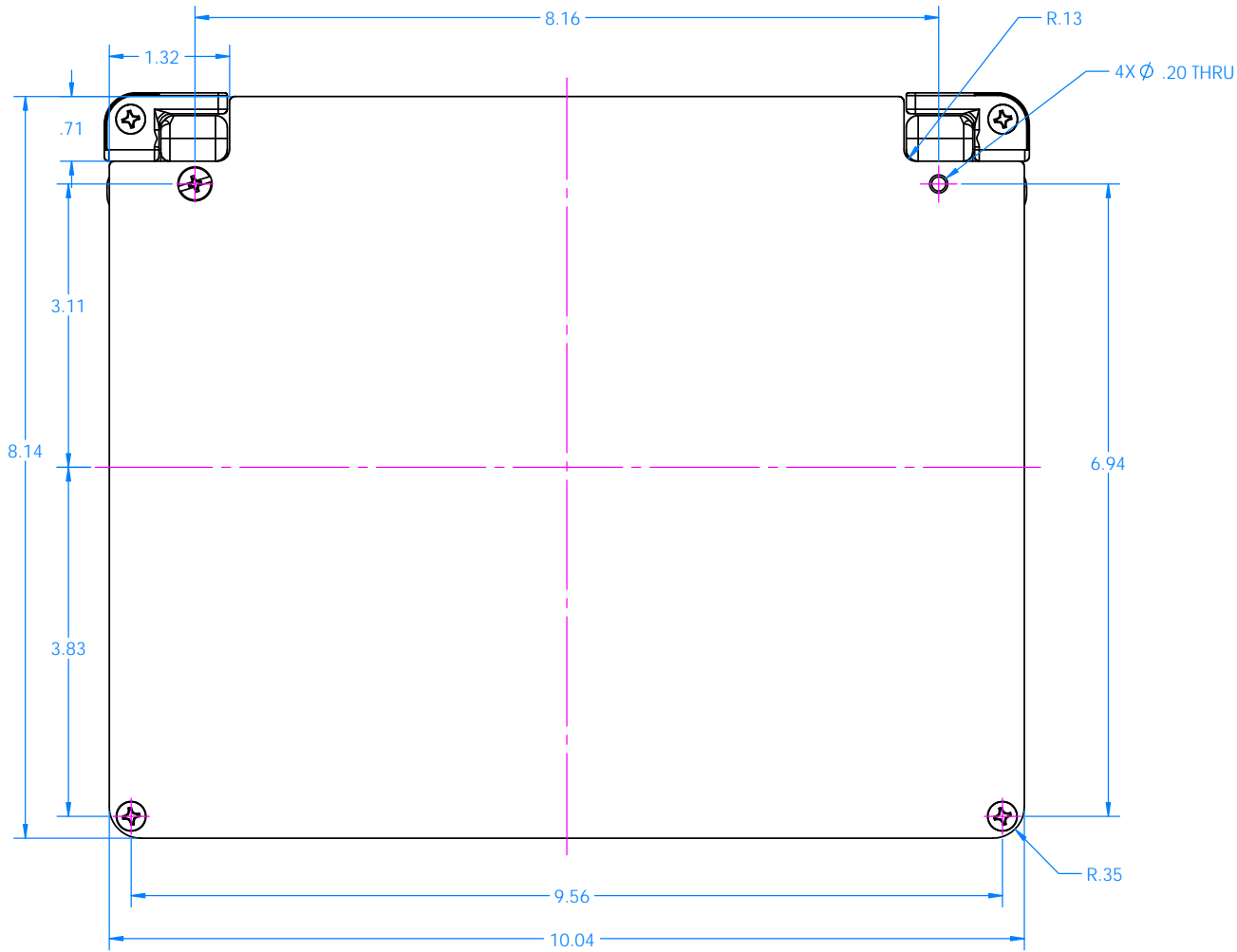
PARTS INCLUDED		
P/N	Qty.	Description
72000	1	Bottom Aluminum Panel
6029	4	SS #10 X 3/8" Pan HL Screw

72000 AP-3 Bottom Alum Panel

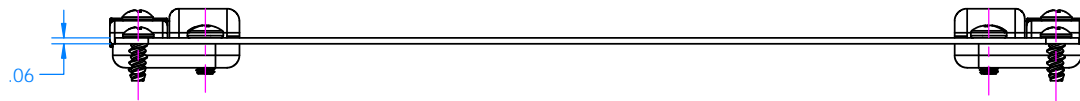
352HL, 342HL, 352HS, 342HS, 352S and 342S



7200TH Hinged Top Panel Kit for 352HL, 342HL, 352HS, 342HS, 352S and 342S



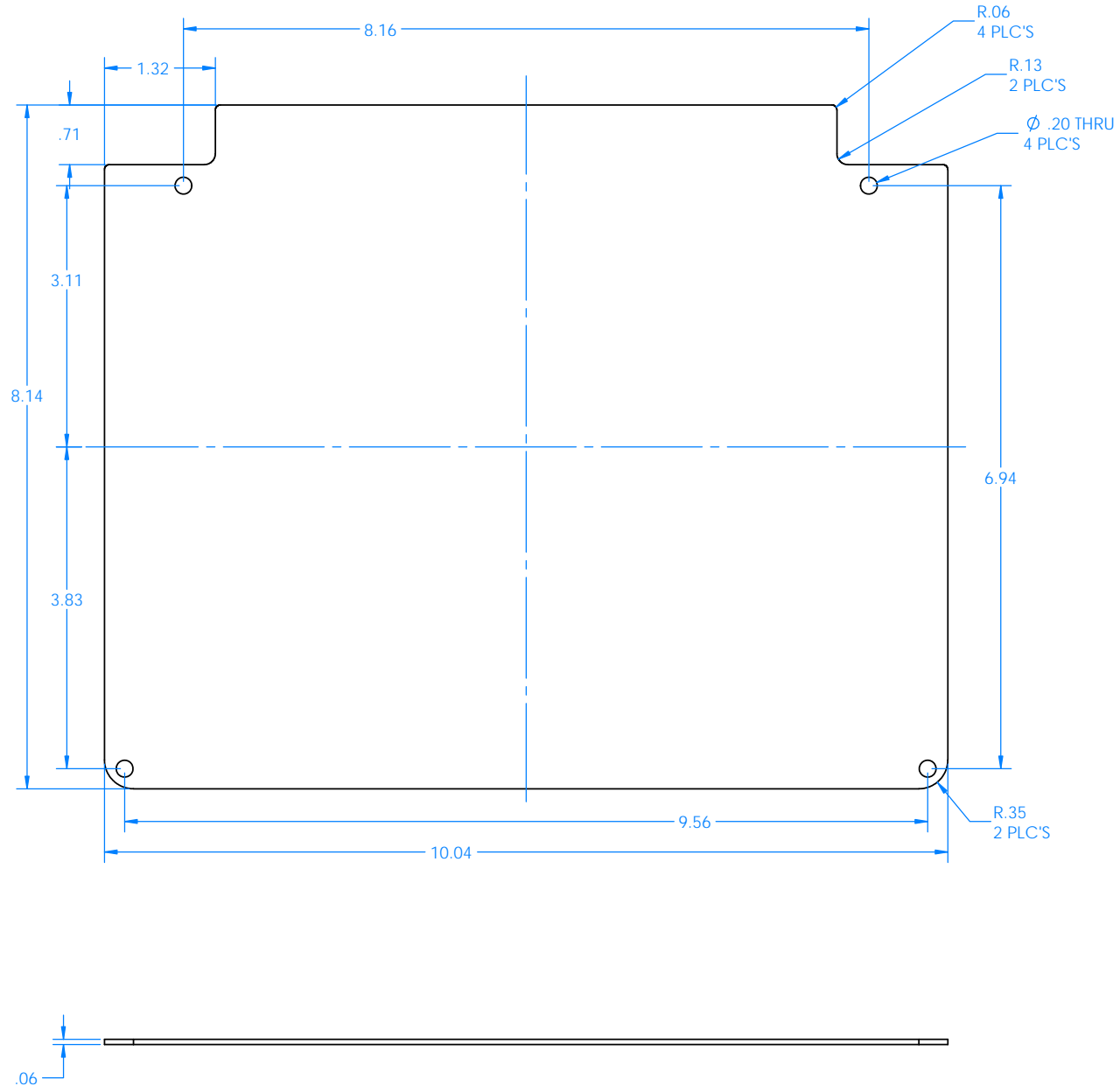
OPTIONAL ACCESSORY



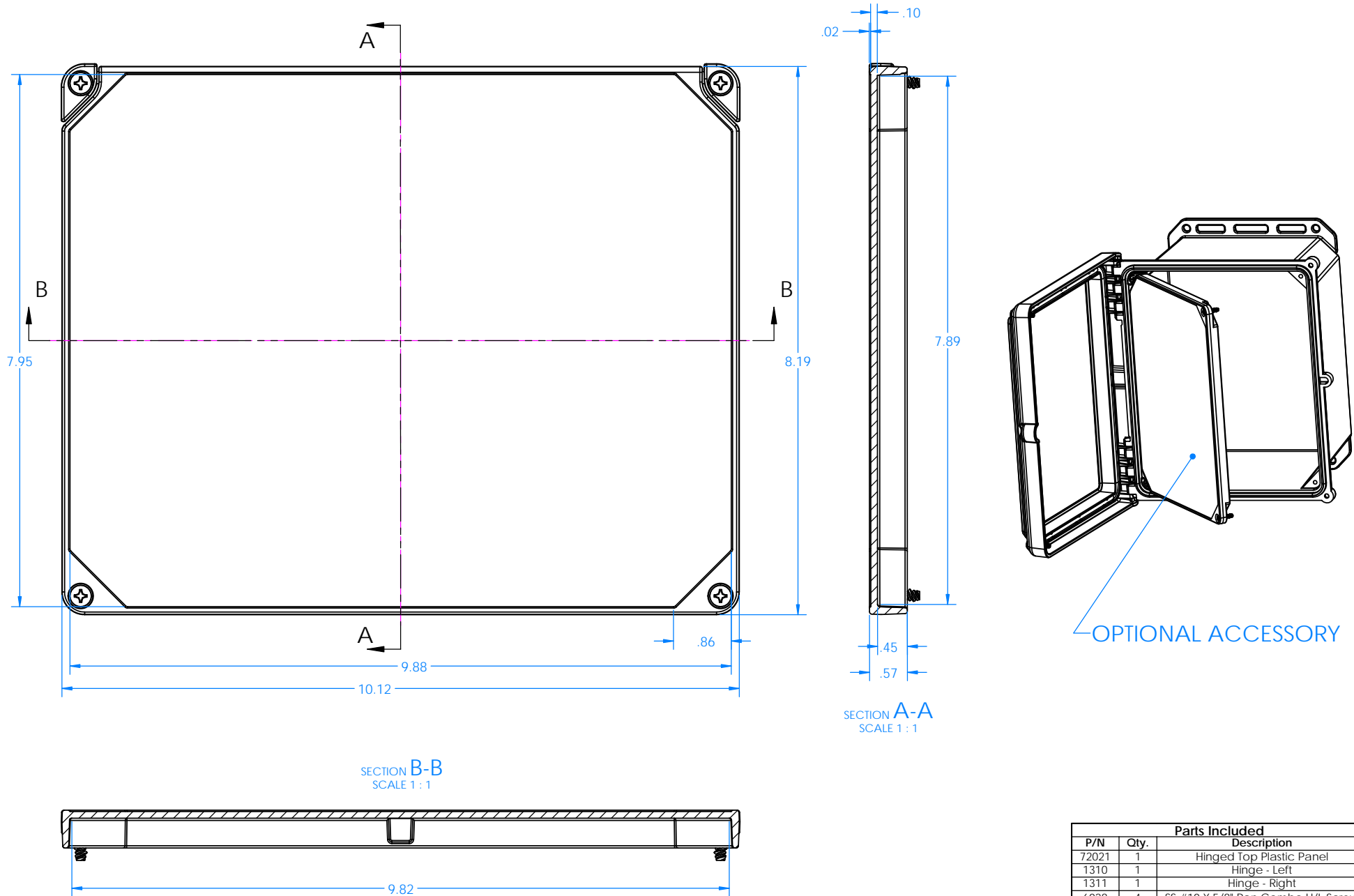
Parts Included		
P/N	Qty.	Description
72020	1	Hinged Top Aluminum Panel
6029	2	SS #10 X 3/8" Pan HL Screw
6030	2	SS #10 X 3/8" Pan Combo H/L Screw
6105	2	SS #10-32 X 1/8" Nut
6028	2	SS #10 X 5/8" Pan Combo H/L Screw
1307	2	Hinge Pin
1308	1	Panel Hinge A
1309	1	Panel Hinge B

72020 AP-2 Hinged Alum Panel

352HL, 342HL, 352HS, 342HS, 352S and 342S



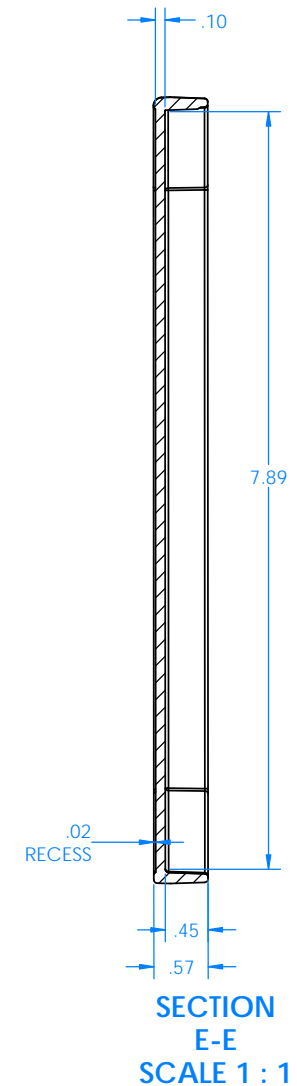
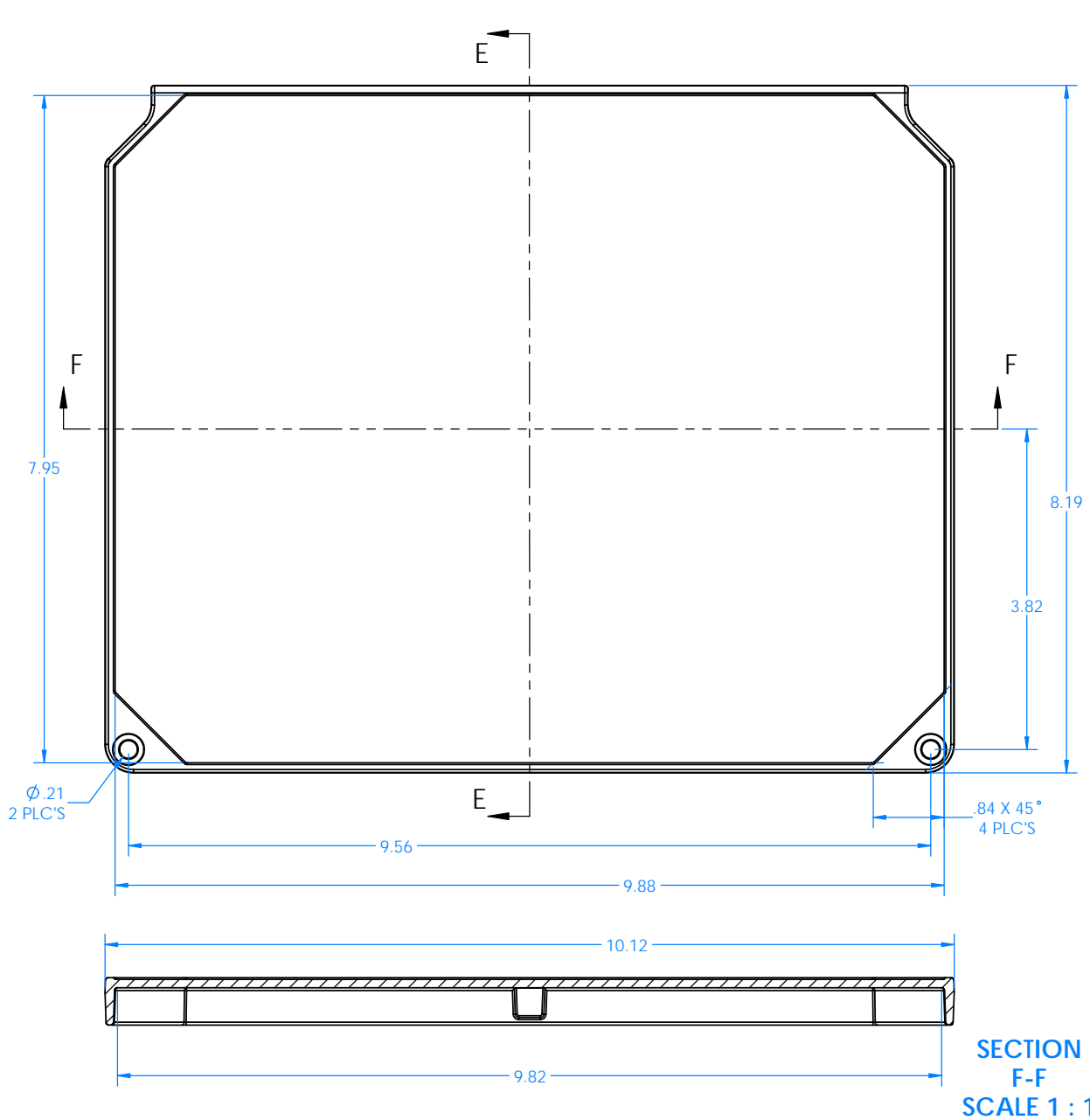
7200HP Hinged Top Plastic Panel Kit for 352HL, 342HL, 352HS, 342HS, 352S and 342S



Parts Included		
P/N	Qty.	Description
72021	1	Hinged Top Plastic Panel
1310	1	Hinge - Left
1311	1	Hinge - Right
6028	4	SS #10 X 5/8" Pan Combo H/L Screw

72021 Hinged Top Plastic Panel

352HL, 342HL, 352HS, 342HS, 352S and 342S



SECTION F-F
SCALE 1 : 1

Mouser Electronics

Authorized Distributor

Click to View Pricing, Inventory, Delivery & Lifecycle Information:

[SERPAC:](#)

[I352HS, TCBC](#) [I352HS, TGBG](#)