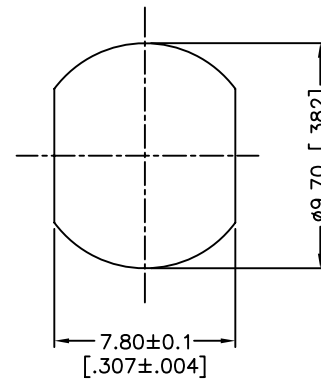
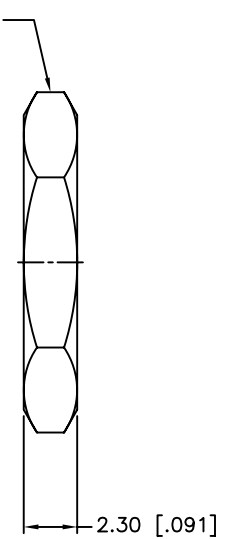
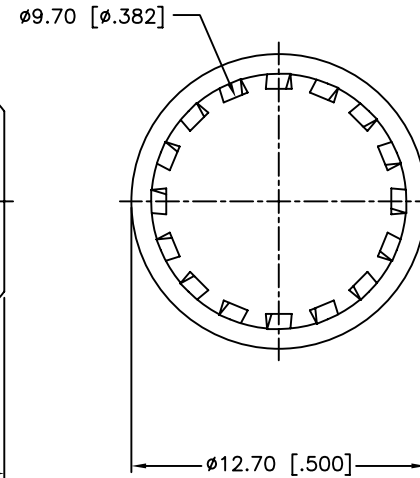
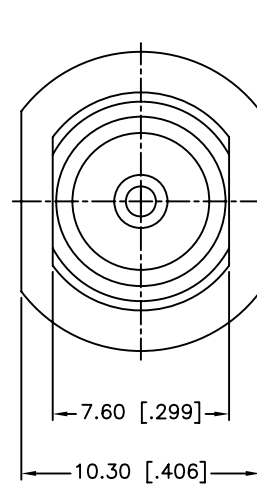
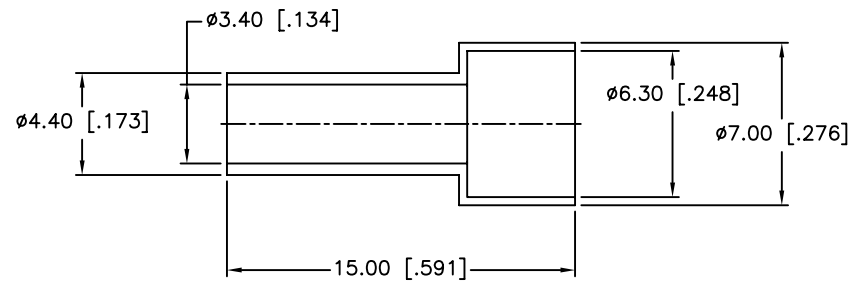
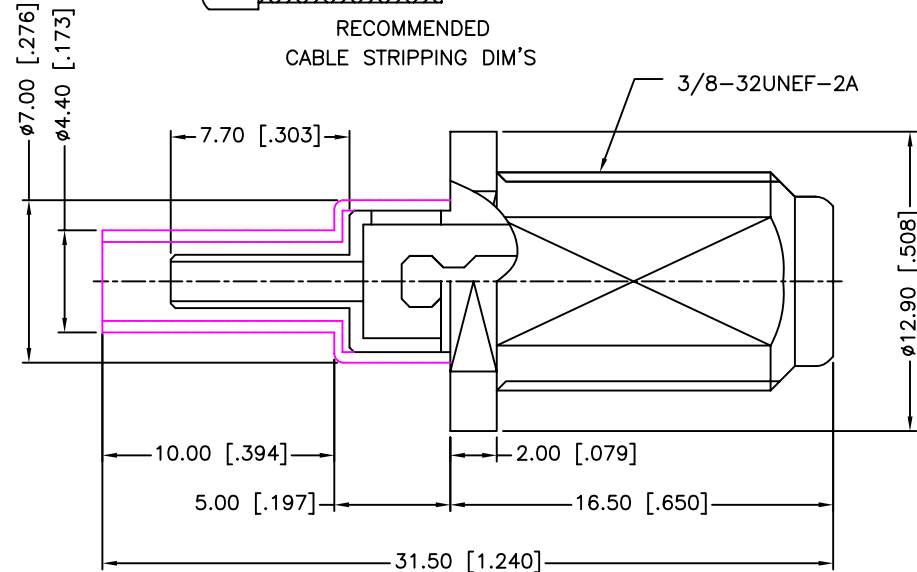


REV.	DATE	ECR NO.	DESCRIPTION
NC	09/07/08	XXXXXX	INITIAL RELEASE
A	12/07/08	XXXXXX	ADD CRIMP NOTES
B	10/25/12	2398	ADD RECOMMENDED MOUNTING HOLE, UPDATED DRAWING FORMAT



RECOMMENDED MOUNTING HOLE

1. IMPEDANCE: 75 OHM
2. FREQUENCY RANGE: DC 0-3 GHz
3. DIELECTRIC WITHSTANDING VOLTAGE: 1500 VRMS, MIN.
4. DURABILITY: 100 CYCLES MIN.
5. TEMPERATURE RANGE: -40°C TO +140°C
6. CRIMPED FERRULE
HEX CRIMP SIZE .151"
7. CONTACT PIN TO SOLDER
8. MAX. PANEL THICKNESS=4.5mm

DESCRIPTION	MATERIAL	FINISH	QTY
7 FERRULE	BRASS	BRIGHT TIN	1
6 HEX NUT	BRASS	BRIGHT TIN	1
5 LOCK WASHER	BRASS	BRIGHT TIN	1
4 INSULATOR	P.P	NATURAL	1
3 CONTACT PIN	BRASS	BRIGHT TIN	1
2 INSULATOR	P.P	NATURAL	1
1 BODY	BRASS	BRIGHT TIN	1

UNLESS OTHERWISE SPECIFIED DIMENSIONS ARE IN MILLIMETERS. DIMENSIONS IN [] ARE IN INCHES AND FOR CUSTOMER REFERENCE ONLY.

UNLESS OTHERWISE SPECIFIED TOLERANCES FOR MILLIMETERS ARE:
0.5 - 8mm ± 0.20mm
8 - 30mm ± 0.40mm
30 - 120mm ± 0.50mm

UNLESS OTHERWISE SPECIFIED TOLERANCES FOR INCHES ARE:
.020 - .315 ± 0.007"
.315 - 1.180 ± 0.015"
1.180 - 4.724 ± 0.020"

DO NOT SCALE DRAWING

APPROVALS	DATE
DRAWN M.ZHANG	10/25/12
CHECKED	
ISSUED	
SHEET 1 OF 1	
CAD FILE C:/CONNEX/222167-10.DWG	

PART DESCRIPTION			
Amphenol Connex			
F BULKHEAD CRIMP JACK (FOR RG-179U/D WITH NUT AND WASHER)			
PART NO.		222167-10	
DWG. NO.	222167-10.DWG	REV.	B
SIZE	A	SCALE	NA

Mouser Electronics

Authorized Distributor

Click to View Pricing, Inventory, Delivery & Lifecycle Information:

[Amphenol:](#)

[222167-10](#)