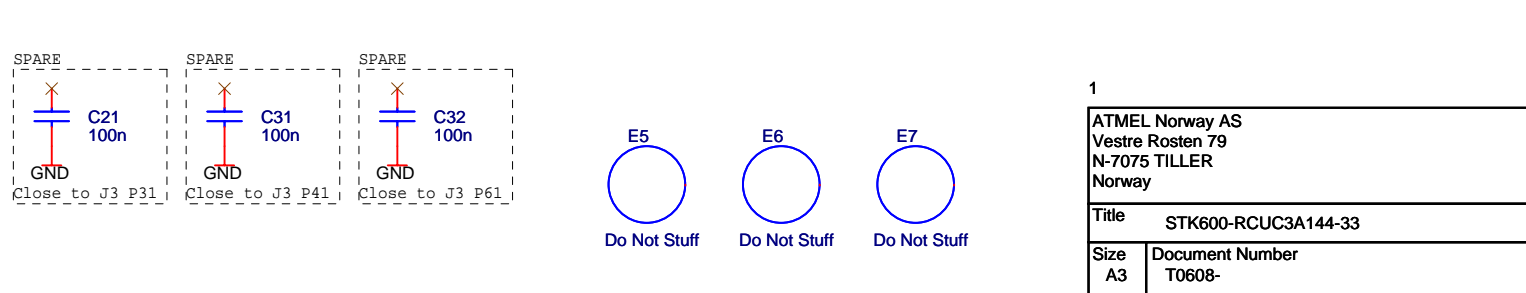
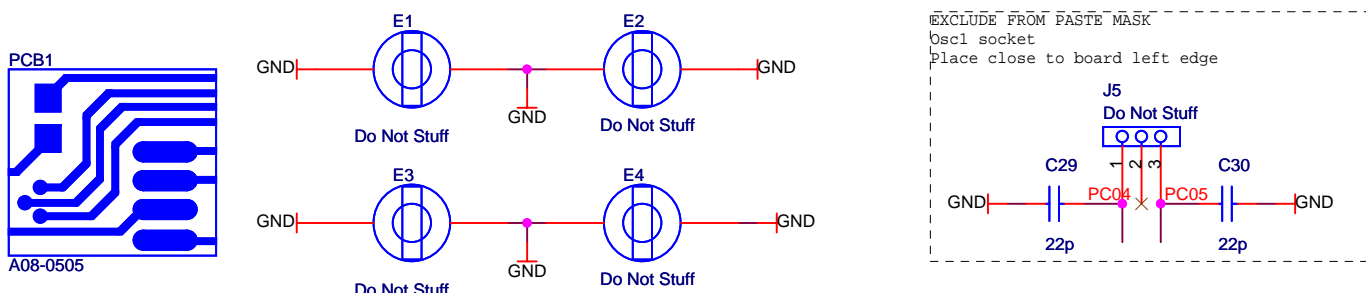
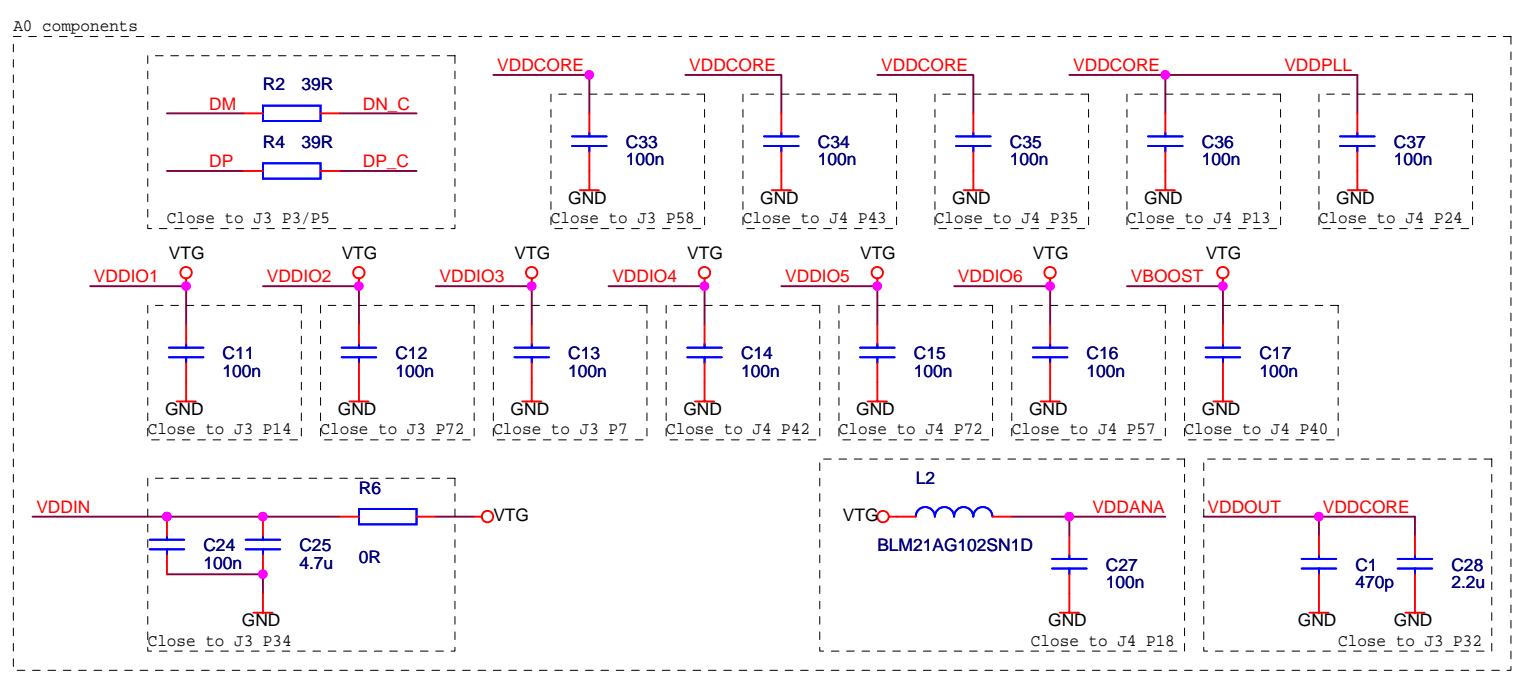
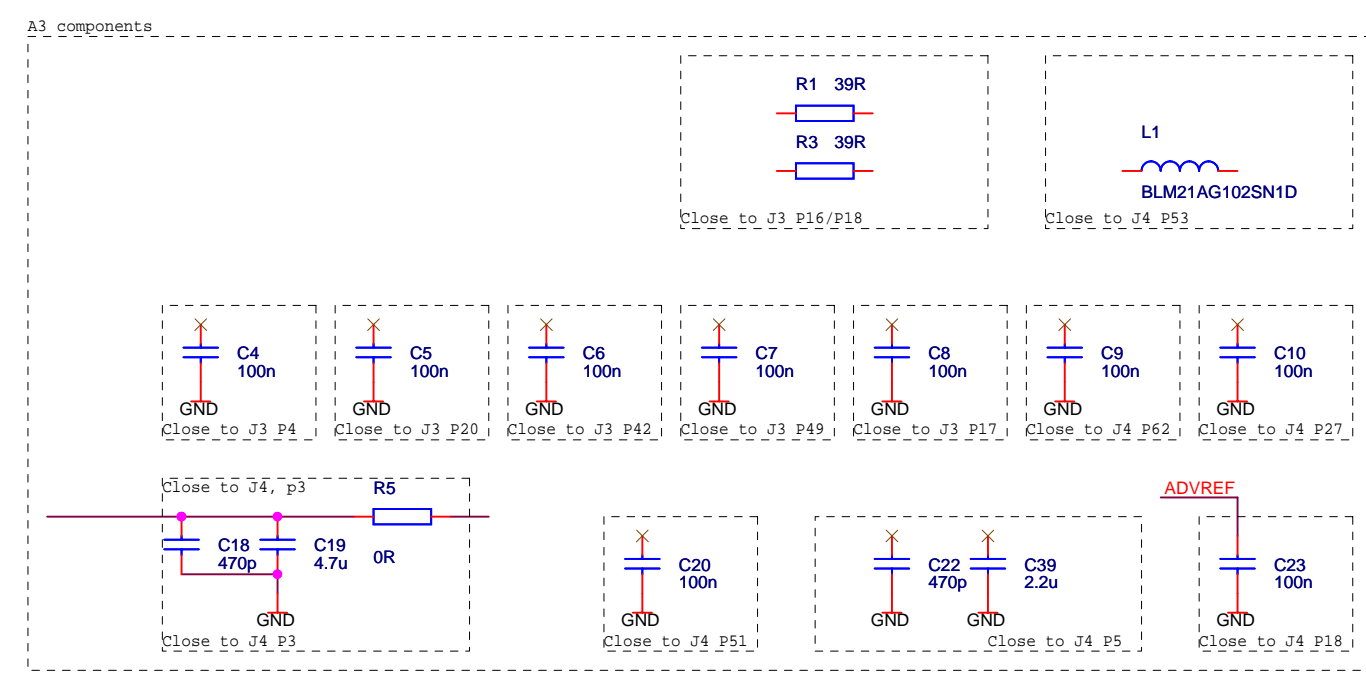
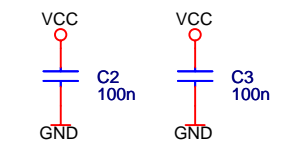
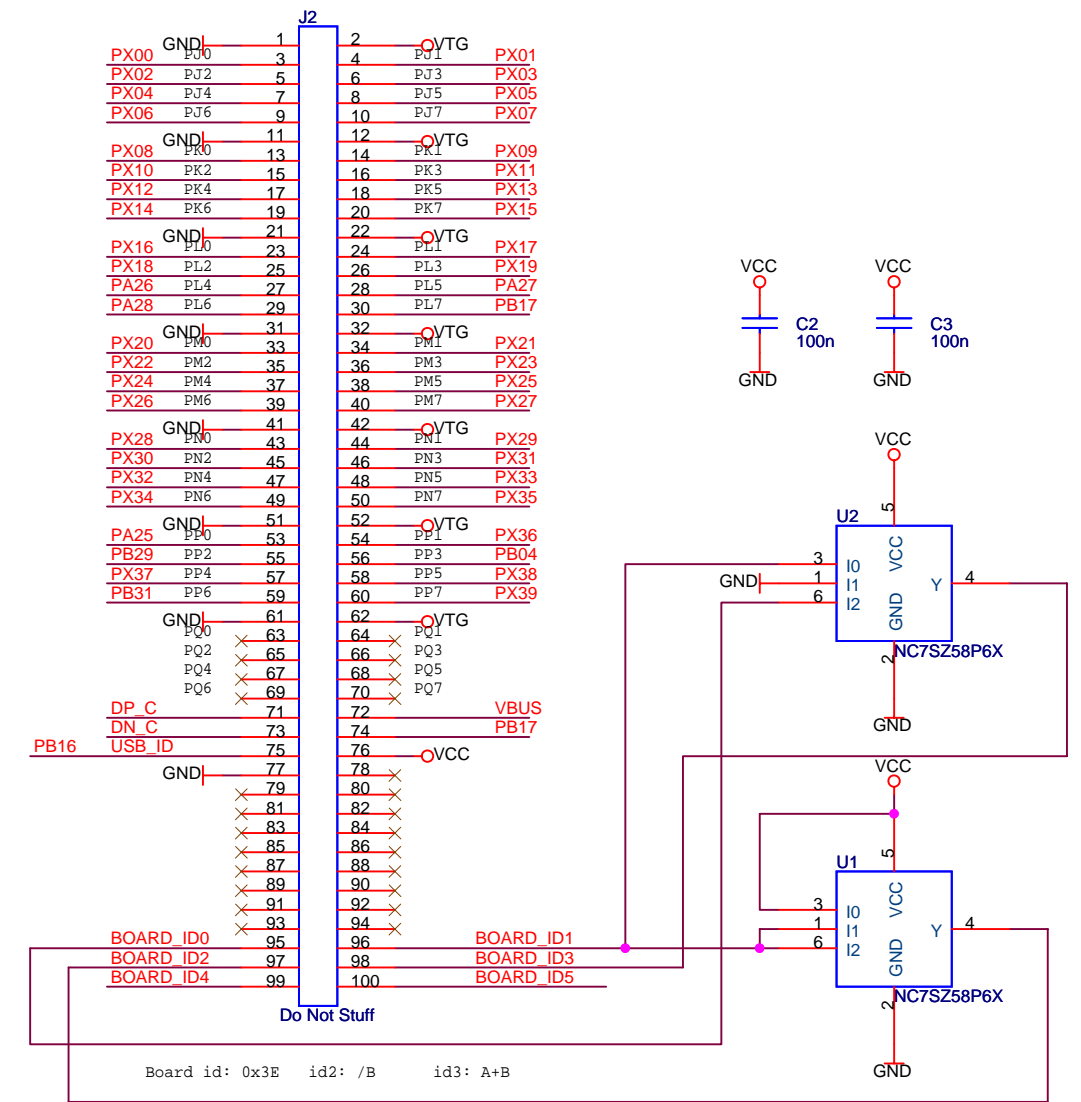
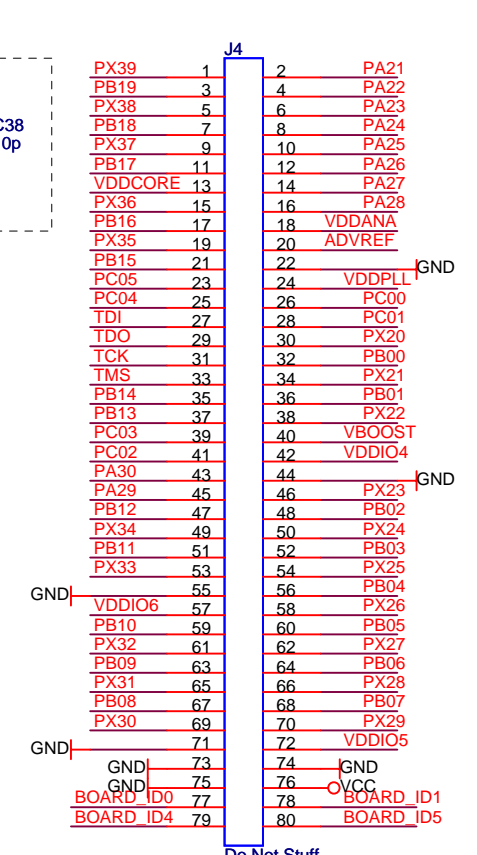
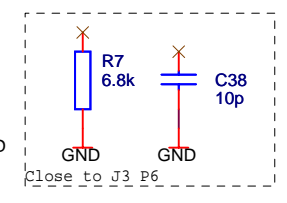
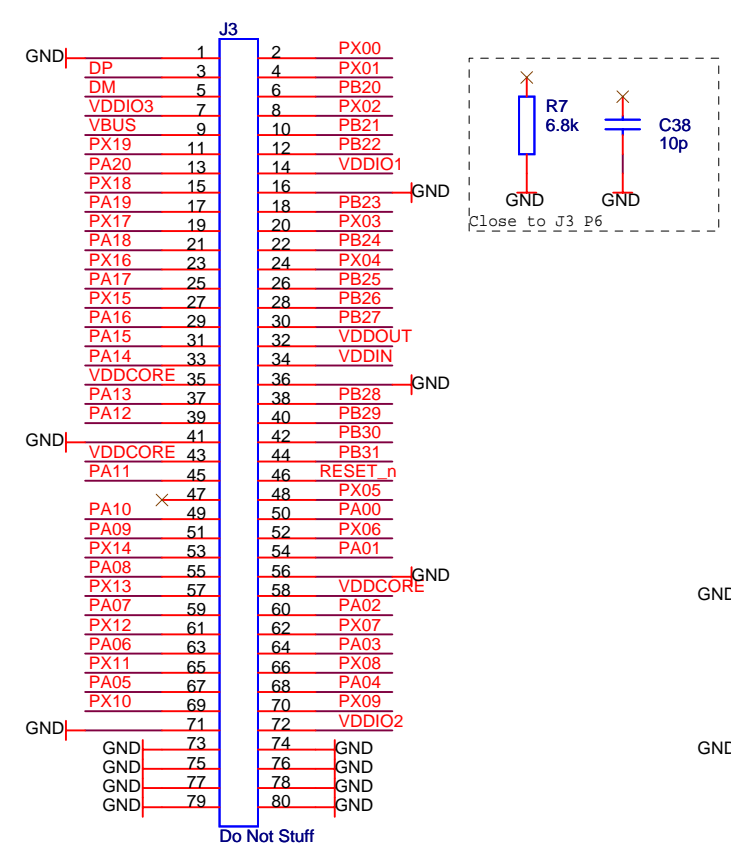
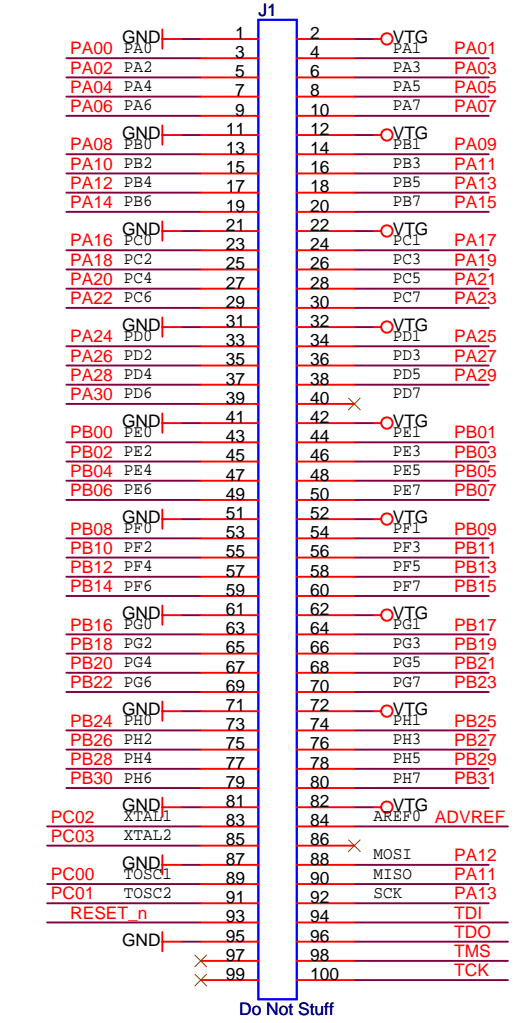


# STK600-RCuC3A144-33

component placement prepared for uC3A0 and uC3A3



ATMEL Norway AS Vestre Rosten 79 N-7075 TILLER Norway		
Title	STK600-RCuC3A144-33	
Size	A3	Rev
Document Number	T0608-	A
Date:	Tuesday, July 08, 2008	Sheet 1 of 1

# Mouser Electronics

Authorized Distributor

Click to View Pricing, Inventory, Delivery & Lifecycle Information:

[Microchip:](#)

[ATSTK600-RC33](#)