

Customer Information Sheet

DRAWING No.: M20-876XXXXP

SHEET 2 OF 2

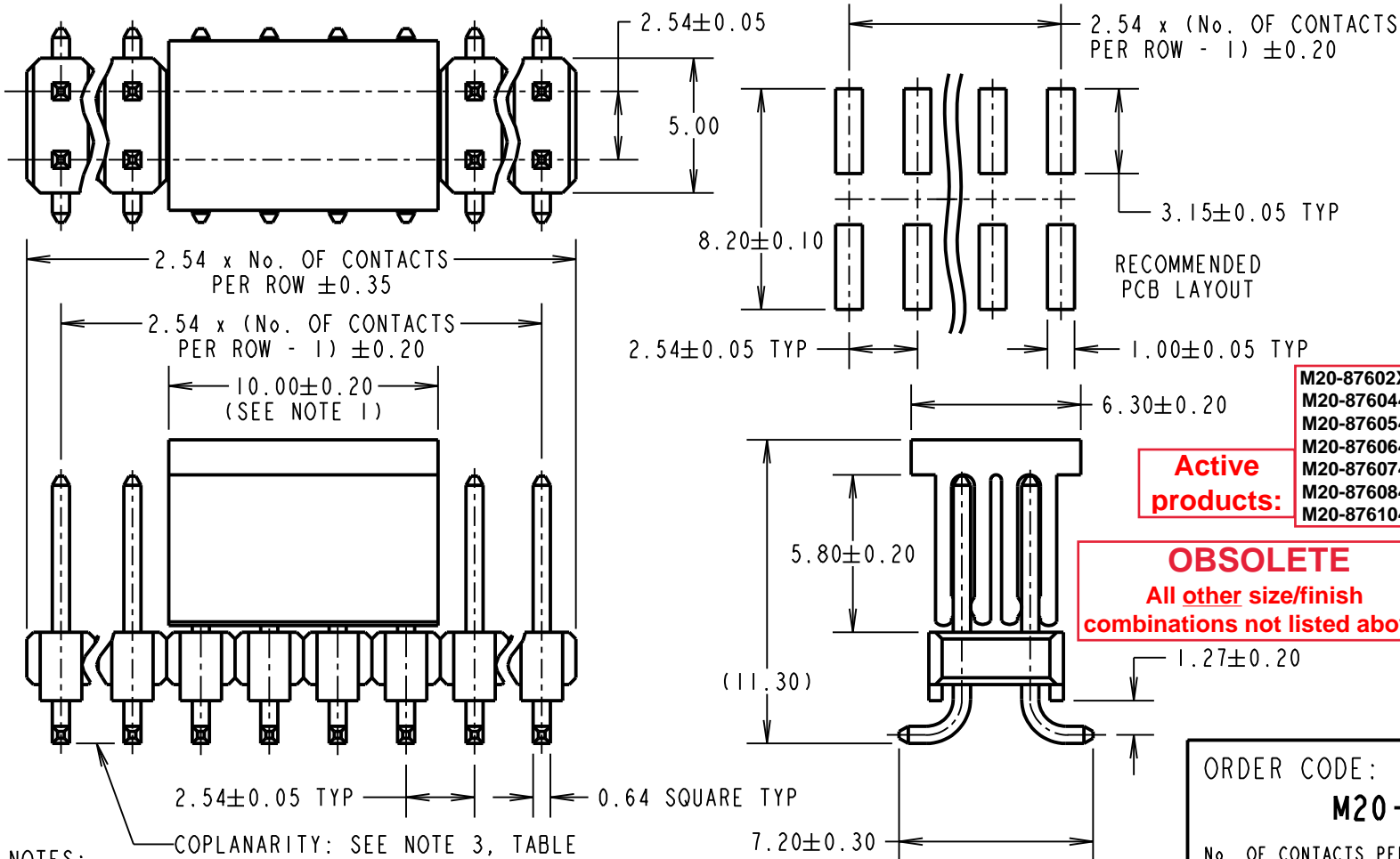
IF IN DOUBT - ASK

(C)

NOT TO SCALE

THIRD ANGLE PROJECTION

ALL DIMENSIONS IN mm



SPECIFICATION:

MATERIAL:
 MOULDING = PA6T UL94V-0, BLACK
 CONTACT = BRASS
FINISH (OVER NICKEL):
 42 = SELECTIVE GOLD ON CONTACT AREA,
 100% TIN ON TAILS
 46 = 100% TIN
ELECTRICAL:
 CURRENT RATING = 3A MAX
 CONTACT RESISTANCE = 20mΩ MAX
 INSULATION RESISTANCE = 500MΩ MIN
 DIELECTRIC STRENGTH = 1000V AC
 VOLTAGE RATING = 250V AC/DC
MECHANICAL:
 DURABILITY = 50 OPERATIONS (TIN),
 300 OPERATIONS (GOLD)

ENVIRONMENTAL:
 TEMPERATURE RANGE = -40°C TO +105°C
SOLDERING:
 REFLOW TEMP = 260°C FOR 10 SECONDS MAX
 MANUAL TEMP = 330°C FOR 3-5 SECONDS
PACKING:
 TUBE
 FOR COMPLETE SPECIFICATION, SEE COMPONENT
 SPECIFICATION C001XX (LATEST ISSUE)

M20-87602XXP
M20-8760442P
M20-8760542P
M20-8760642P
M20-8760742P
M20-8760842P
M20-8761042P

Active products:

OBSOLETE
 All other size/finish combinations not listed above

No. OF CONTACTS PER ROW	COPLANARITY TOLERANCE
02 TO 12	0.10mm MAX
13 TO 20	0.15mm MAX
23	0.20mm MAX

NOTES:

- FOR 4+4-WAYS AND LESS, CAP LENGTH = 6.00mm.
- SEE M20-876XXXXR FOR TAPE & REELED VERSION, M20-876XXXX FOR STANDARD PRODUCT.
- CO-PLANARITY: FLATNESS OF SMT TAILS WILL NOT EXCEED VALUES GIVEN IN TABLE.
- ALL TOLERANCES ARE ±0.15 UNLESS OTHERWISE STATED.

ORDER CODE:
M20-876XXXXP
 No. OF CONTACTS PER ROW: 02 TO 20, 23
 FINISH:
 42 = SELECTIVE GOLD + 100% TIN
 46 = 100% TIN

WJP	10	01.08.17	20398
NAME	ISS.	DATE	C/NOTE
APPROVED: W. J. PRESTON			
CHECKED: S. BENNETT			
DRAWN: A. J. FILLINGHAM			
CUSTOMER REF.:			
ASSEMBLY DRG:			

HARWIN

www.harwin.com
 technical@harwin.com

THIS DRAWING AND ANY INFORMATION OR DESCRIPTIVE MATTER SET OUT HEREON ARE CONFIDENTIAL AND COPYRIGHT PROPERTY OF THE HARWIN GROUP AND MUST NOT BE DISCLOSED, LOANED, COPIED OR USED FOR MANUFACTURING, TENDERING OR FOR ANY OTHER PURPOSE WITHOUT THEIR WRITTEN PERMISSION.

TOLERANCES
~~X. = ±1mm~~
~~X.X = ±0.50mm~~
~~X.XX = ±0.10mm~~
~~X.XXX = ±0.01mm~~
 ANGLES = ±5°
 UNLESS STATED

MATERIAL:
 SEE ABOVE
FINISH:
 SEE ABOVE
S/AREA:
 mm²

TITLE: 2.54mm PITCH DIL SMT PIN HEADER ASSEMBLY WITH PICK & PLACE CAP
DRAWING NUMBER:
M20-876XXXXP
 SHT 2 OF 2

Mouser Electronics

Authorized Distributor

Click to View Pricing, Inventory, Delivery & Lifecycle Information:

Harwin:

[M20-8761342P](#) [M20-8761346P](#) [M20-8761242P](#) [M20-8761246P](#) [M20-8761442P](#) [M20-8761446P](#) [M20-8761942P](#)
[M20-8761946P](#) [M20-8760642P](#) [M20-8760646P](#) [M20-8760742P](#) [M20-8760746P](#) [M20-8761842P](#) [M20-8761846P](#)
[M20-8760546P](#) [M20-8760542P](#) [M20-8762042P](#) [M20-8762046P](#) [M20-8760346P](#) [M20-8760342P](#) [M20-8760446P](#)
[M20-8760442P](#) [M20-8761146P](#) [M20-8761142P](#) [M20-8760946P](#) [M20-8760942P](#) [M20-8761046P](#) [M20-8761042P](#)
[M20-8760846P](#) [M20-8760842P](#) [M20-8761542P](#) [M20-8761546P](#) [M20-8761742P](#) [M20-8761746P](#) [M20-8761642P](#)
[M20-8761646P](#) [M20-8762342P](#) [M20-8762346P](#) [M20-8760246P](#) [M20-8760242P](#) [M20-8763246R](#)