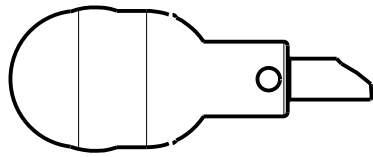
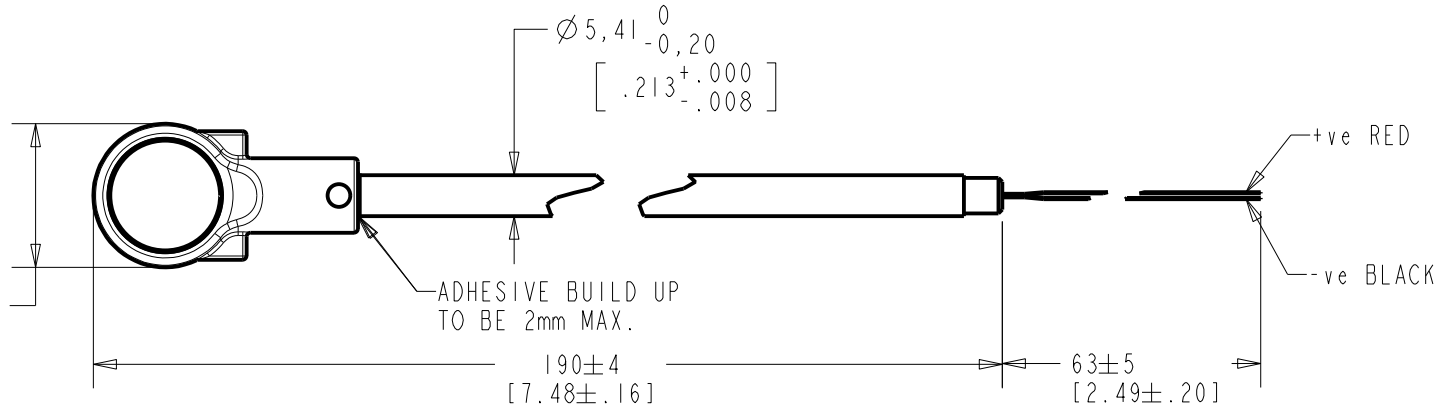


FB-EM-30343-000
SHT 1.1



TOP VIEW
W/WINDSHIELD SHOWN
SCALE 1:1

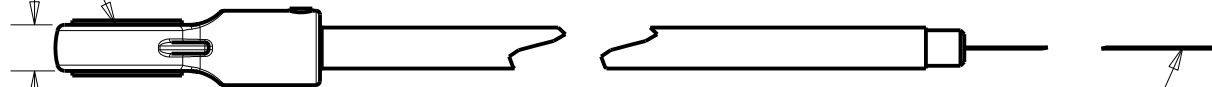
$\varnothing 19,0 \pm 0,3$
[.748 \pm .012]



PLASTIC HOUSING, BLACK



$6,10 \pm 0,12$
[.240 \pm .005]



WIRES
2mm STRIPPED & TINNED ENDS

WIRE COLOR			WEIGHT GRAMS
+ve	OUTPUT	-ve	
RED	---	BLACK	---

DIMENSIONS IN MILLIMETERS [INCHES]

Revision	C.O. #	Implementation Date	RELEASE LEVEL	REVISION
C	C40101206	3-7-13	Active	C
B	C10107748	8-12-08		
A	C10107379	6-26-08		

SCALE:

1:1

DO NOT SCALE DRAWING

TITLE:

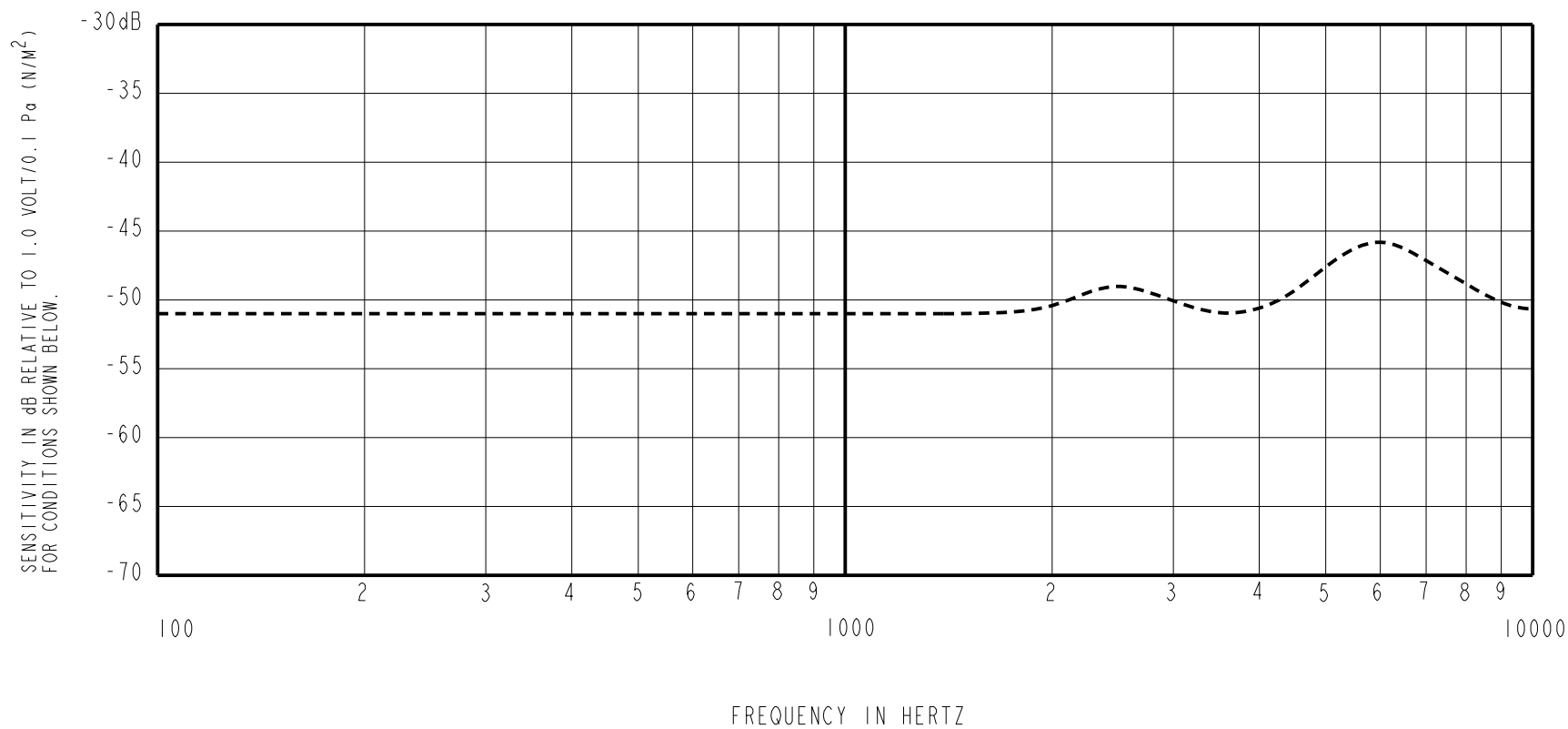
BOOM MICROPHONE FB-EM-30343-000

OUTLINE DRAWING

SHT 1.1

DR. BY	DATE
TT	6-26-08
CK. BY	DATE
GJP	7-15-08
APP. BY	DATE
GJP	7-15-08

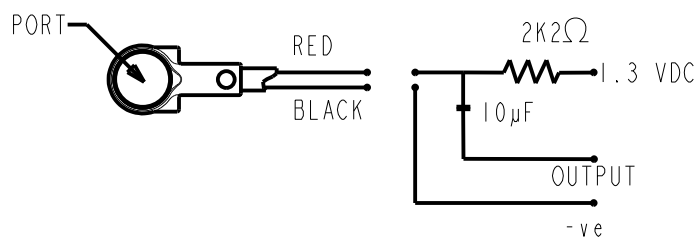
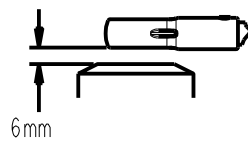
KNOWLES ELECTRONICS
ITASCA, ILLINOIS U.S.A.



FREQUENCY	SENSITIVITY			DEVICE CONFORMITY	
	MIN.	NOM.	MAX.	RANGE OF DEVIATION FROM 1KHz	
300	---	-51.0	---	-4.0	+4.0
1000	-55.0	-51.0	-47	0.0	0.0
2000	---	-50.5	---	-4.0	---
6000	---	-46.5	---	0.0	+9

NOTES:

- MICROPHONE TO BE FUNCTIONAL WITH 10 VDC SUPPLY.
- SENSITIVITY VALUES INDICATED ON THIS SPECIFICATION ARE VALID AT 50% HUMIDITY.
- TEST CONDITIONS:
HEAD OF BOOM EXPOSED TO 74 dB SPL SWEPT SOUND FIELD AT 6mm FROM VOICE APERTURE.
ARTIFICIAL VOICE:
B & k 4227 MOUTH SIMULATOR.
- FOR MICROPHONE CAPSULE SPEC. SEE DRAWING WP-25993-D63
- SURVIVES 3m SUBMERSION BASED ON QUALIFICATION TESTING. 100% TEST 30 MINUTES 1m SUBMERSION; SENSITIVITY WITHIN 3dB OF INITIAL SENSITIVITY AFTER DRIED FOR 30 MINUTES AT ROOM TEMPERATURE.



LEAD IDENTIFICATION & TEST CIRCUIT

Revision	C.O. #	Implementation Date	RELEASE LEVEL	REVISION
C	C40101206	3-7-13	Active	C
B	C10107748	8-12-08		
A	C10107379	6-26-08		

KNOWLES ELECTRONICS
ITASCA, ILLINOIS U.S.A.

WHEN TEST LIMITS ARE USED TO ESTABLISH INCOMING INSPECTION ACCEPTANCE/REJECTION CRITERIA, CORRELATION OF TEST EQUIPMENT WITH KNOWLES IS ALSO REQUIRED FOR ELIMINATION OF EQUIPMENT AND TEST METHOD VARIATION

TITLE: **BOOM MICROPHONE FB-EM-30343-000**
PERFORMANCE SPECIFICATION **SHT 2.1**

DR. BY	DATE
TT	6-26-08
CK. BY	DATE
GJP	7-15-08
APP. BY	DATE
GJP	7-15-08

Mouser Electronics

Authorized Distributor

Click to View Pricing, Inventory, Delivery & Lifecycle Information:

Knowles:

[FB-AE-30051-000](#) [FB-AE-30209-000](#) [FB-AE-30389-000](#) [FB-BW-30330-000](#) [FB-BW-30335-000](#) [FB-DE-30290-000](#)
[FB-DE-30291-000](#) [FB-DE-30292-000](#) [FB-DO-25946-000](#) [FB-DW-30293-000](#) [FB-DW-30294-000](#) [FB-DW-30295-000](#)
[FB-DW-30296-000](#) [FB-EI-30026-000](#) [FB-EI-30426-000](#) [FB-EM-30342-000](#) [FB-EM-30343-000](#) [FB-EM-30344-000](#)
[FB-EM-30345-000](#) [FB-EM-30346-000](#) [FB-EM-30347-000](#) [FB-EM-30348-000](#) [FB-EM-30349-000](#) [FB-FO-23225-000](#)
[FB-FO-25581-000](#) [FB-HO-25624-000](#) [FB-DW-23249-000](#) [FB-DO-23511-000](#) [FB-FO-25542-000](#) [FB-FO-23528-000](#)
[FB-MU-31025-000](#) [HM-31308-P137](#) [FB-FO-25383-A97](#) [FB-DR-30366-000](#) [FB-DO-32222-000](#) [FB-DW-32122-000](#)
[FB-DW-23539-000](#) [FB-MU-31024-000](#) [FB-FO-25383-000](#) [FB-DW-23794-000](#) [FB-DW-25798-000](#) [FB-LW-31458-000](#)
[FB-AW-30002-000](#) [FB-DW-23335-000](#) [FB-DO-32221-000](#) [VBU-31553-P122](#) [FB-31538-000](#) [FB-DS-25966-000](#) [FB-](#)
[EI-31878-000](#) [FB-LW-31456-000](#) [FB-DW-25989-000](#) [FB-DW-23868-000](#) [FB-DO-32103-000](#) [FB-MU-30749-000](#) [FB-](#)
[23891-000](#) [FB-CO-28515-L20](#) [FB-FO-30764-000](#) [FB-EI-31809-000](#) [FB-DW-32198-000](#)