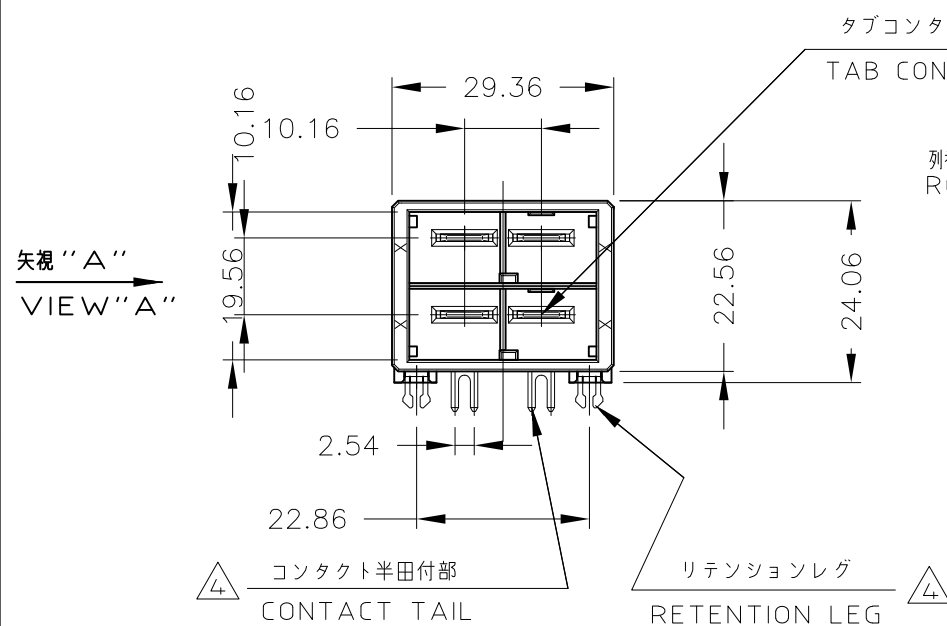
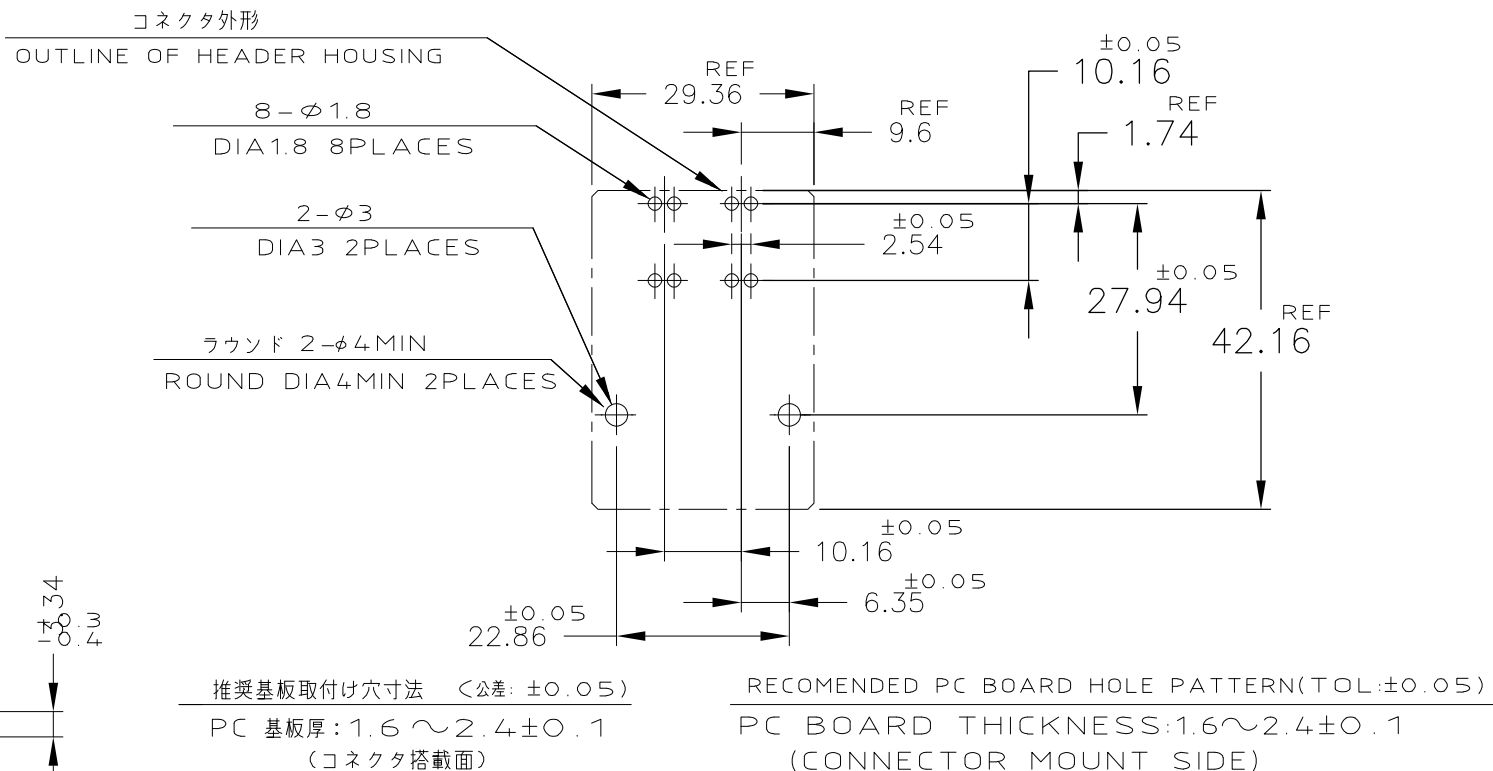
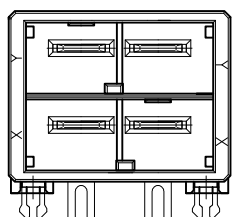
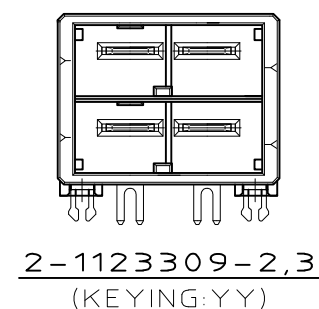
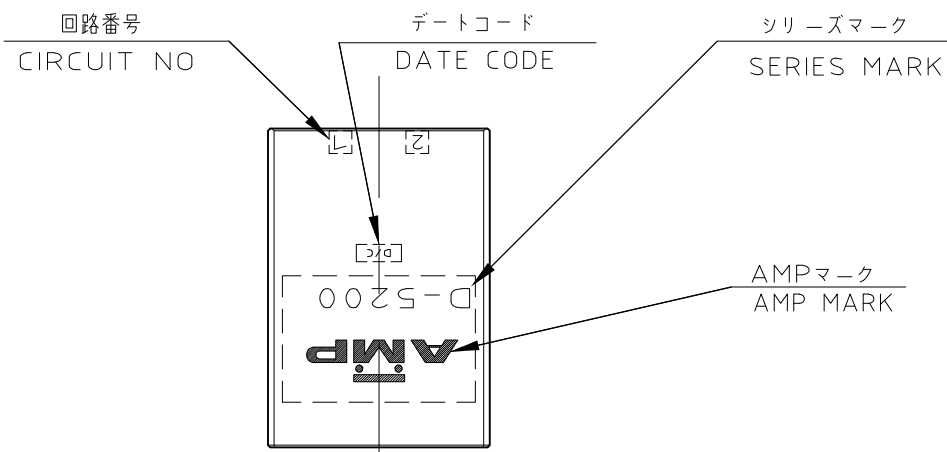
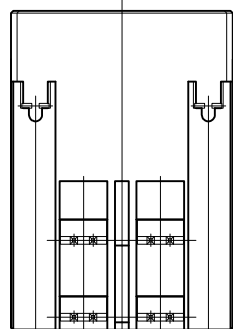


THIS DRAWING IS UNPUBLISHED. RELEASED FOR PUBLICATION  
 © COPYRIGHT 1997 By Tyco Electronics Japan G.K. ALL RIGHTS RESERVED.

LOC	DIST	REVISIONS					
		P	LTR	DESCRIPTION	DATE	DWN	APVD
J	—		D	REVISED	05SEP2012	H.M	N.Y



1-1123309-2,3  
(KEYING:XX)



1. MATERIAL: HOUSING: GLASS FILED THERMO PLASTIC, POLYESTER(94V-0), COLOR: BLACK  
 TAB CONTACT: COPPER ALLOY  
 RETENTION LEG: BRASS
- △2. FINISH (CONTACT AREA): 0.38 μm MIN GOLD PLATING OVER Ni PLATING  
 △3. FINISH (CONTACT AREA): 0.76 μm MIN GOLD PLATING OVER Ni PLATING  
 △4. FINISH (RETENTION LEG): TIN PLATED (CONTACT TAIL) OVER NICKEL  
 △5. OBSOLETE PARTS : OBSOLETE CIS STREAMLINING PER D.RENAUD/D.SINISI  
 △6. FINISH (CONTACT AREA) : ALL OVER 2.54 μm MIN SILVER PLATING OVER Ni PLATING

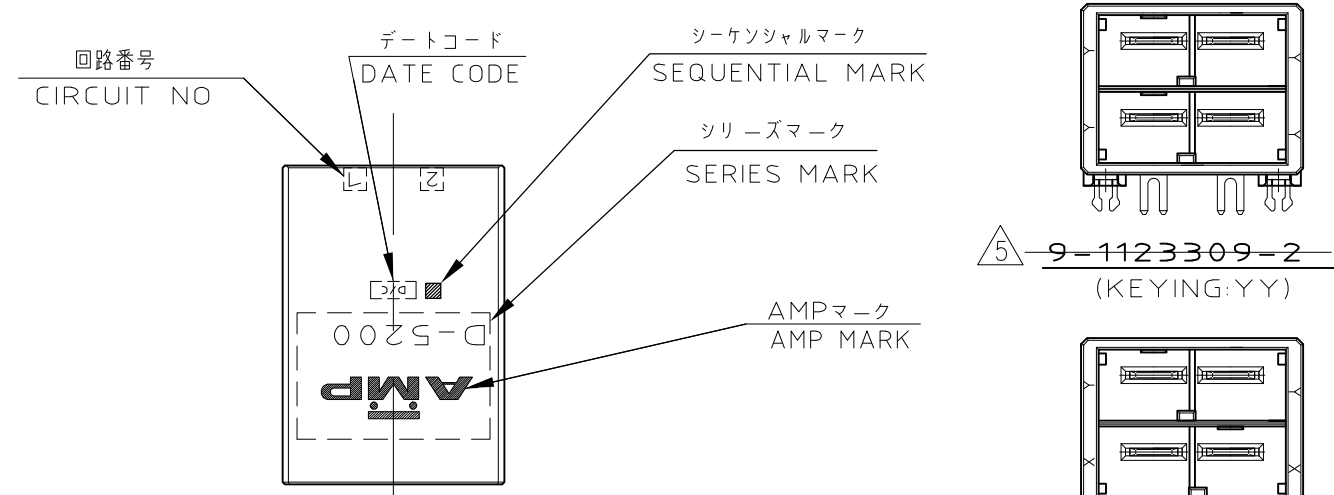
1. 材料: ハウジング : ガラス入り熱可塑性ポリエステル樹脂(94V-0)、色: 黒  
 : タブコンタクト : 銅合金  
 : リテンションレグ : 黄銅
- △2. めっき: コンタクト: 全面Ni下地 接触部 : 0.38 μm MIN 金めっき  
 △3. めっき: コンタクト: 全面Ni下地 接触部 : 0.76 μm MIN 金めっき  
 △4. めっき: リテンションレグとコンタクト半田付部 : ニッケル下地の上にスズめっき  
 △6. めっき: コンタクト: 全面Ni下地の上に2.54 μm MIN 全面銀めっき

XY	△4 △3	3-1123309-3
	△4 △2	3-1123309-2
YY	△4 △3	2-1123309-3
	△4 △2	2-1123309-2
XX	△4 △6	1-1123309-4
	△4 △3	1-1123309-3
	△4 △2	1-1123309-2
KEY TYPE	コンタクトのめっき (FINISH)	製品番号 (PART NO.)

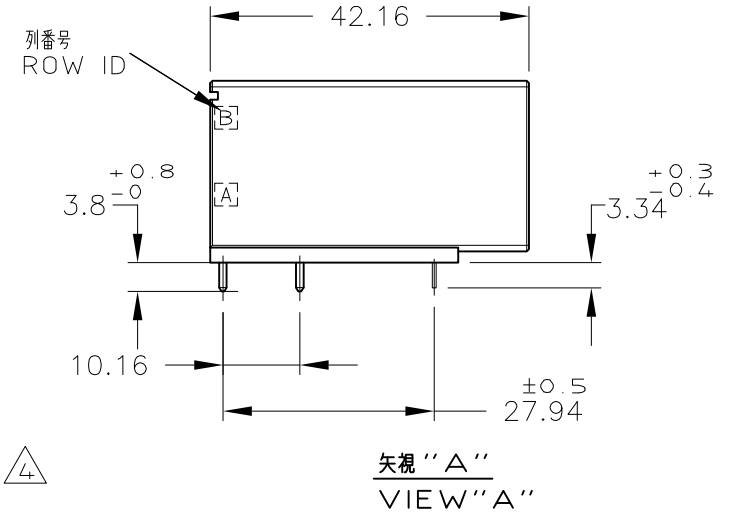
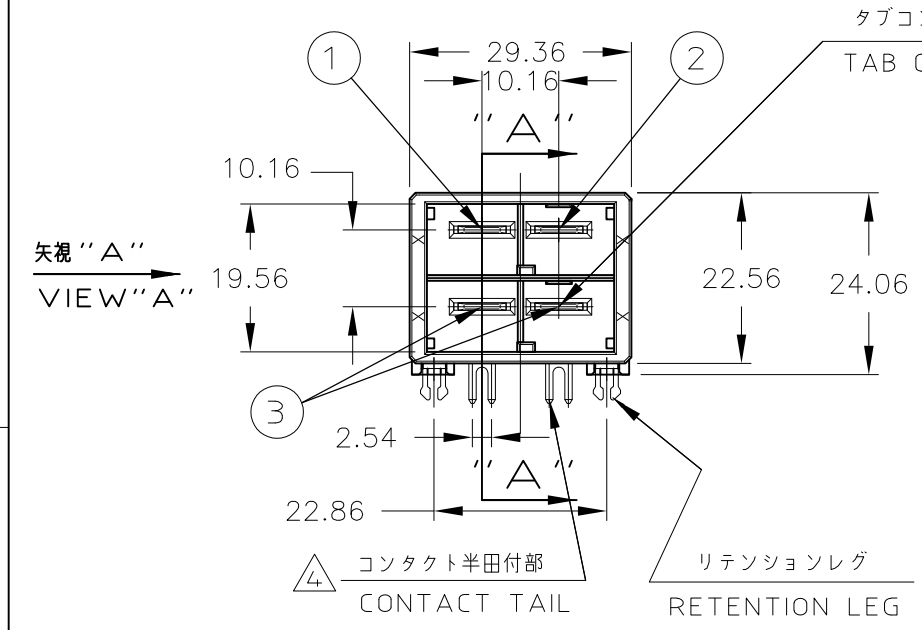
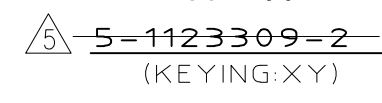
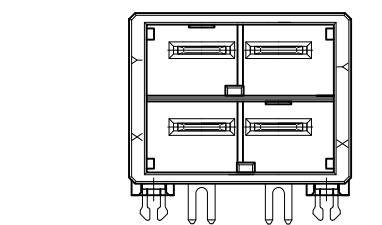
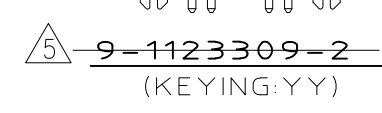
THIS DRAWING IS A CONTROLLED DOCUMENT.

DIMENSIONS: mm	TOLERANCES UNLESS OTHERWISE SPECIFIED:	DWN K.IKEDA 07NOV1997	TE Connectivity
	0 PLC ± 10 <sub>2</sub> ± 0.3 1 PLC ± 30 <sub>2</sub> > 10 ± 0.35 2 PLC ± 100 <sub>2</sub> > 30 ± 0.4 3 PLC ± 4 PLC ANGLES ± 3°	CHK N.MATSUBARA 26NOV1997	
MATERIAL SEE NOTE	FINISH SEE NOTE	APVD S.MANABE 10DEC1997	NAME
		PRODUCT SPEC 108-5453	DOUBLE ROW HEADER ASSY 4P H-TYPE
		APPLICATION SPEC 114-5246	DYNAMIC D-5200 D
		WEIGHT	SIZE CAGE CODE DRAWING NO RESTRICTED TO
		CUSTOMER DRAWING	A3 00779 C-1123309
		SCALE 1:1	SHEET 1 OF 2 REV D

LOC	DIST	REVISIONS					
J	-	P	LTR	DESCRIPTION	DATE	DWN	APVD
		-		SEE SHEET 1	-	-	-

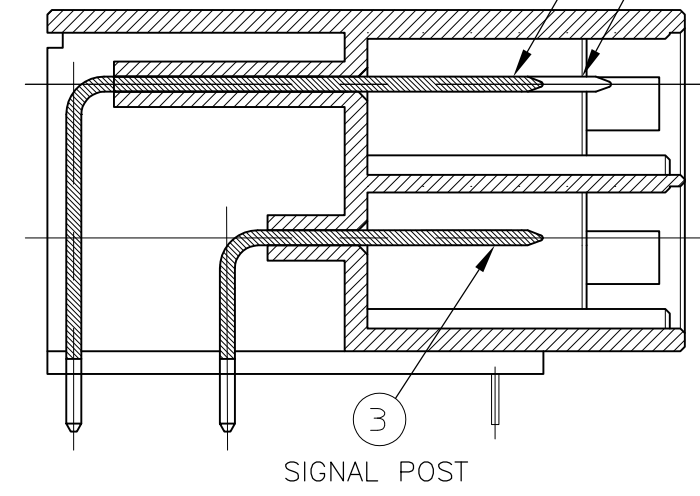


5,8,9-1123309-2;AS SHOWN  
 SEQUENTIAL TYPE



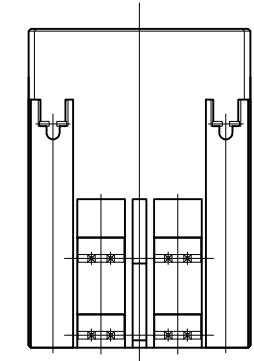
	回路番号	
B 列	① Signal	② Ground
A 列	③ Signal	③ Signal

POINT OF SEQUENTIAL



SECT "A" - "A"  
 (SCALE:2-1)

8-1123309-2  
 (KEYING:XX)



- 1. MATERIAL:HOUSING:GLASS FILED THERMO PLASTIC ,POLYESTER(94V-0),COLOR:BLACK  
 TAB CONTACT:COPPER ALLOY  
 RETENTION LEG:BRASS
- 2. FINISH(CONTACT AREA):0.38μmMIN GOLD PLATING OVER Ni PLATING
- 3. FINISH(CONTACT AREA):0.76μmMIN GOLD PLATING OVER Ni PLATING
- 4. FINISH(RETENTION LEG): TIN PLATED (CONTACT TAIL) OVER NICKEL
- 5. OBSOLETE PARTS : OBSOLETE CIS STREAMLINING PER D.RENAUD/D.SINISI

- 1. 材料:ハウジング : ガラス入り熱可塑性ポリエステル樹脂(94V-0)、色:黒  
 :タブコンタクト : 銅合金  
 :リテンションレグ : 黄銅
- 2. めっき:コンタクト:全面Ni下地 接触部 :0.38μm MIN 金めっき
- 3. めっき:コンタクト:全面Ni下地 接触部 :0.76μm MIN 金めっき
- 4. めっき:リテンションレグとコンタクト半田付部 : ニッケル下地の上にスズめっき

XY	④ ②	5-1123309-2	⑤ OBSOLETE
YY	④ ②	9-1123309-2	
XX	④ ②	8-1123309-2	
KEY TYPE	コンタクトのめっき (FINISH)	製品番号 (PART NO.)	

THIS DRAWING IS A CONTROLLED DOCUMENT.		DWN K.IKEDA 07NOV1997	TE Connectivity	
DIMENSIONS: mm		CHK N.MATSUBARA 26NOV1997		
TOLERANCES UNLESS OTHERWISE SPECIFIED:		APVD S.MANABE 10DEC1997	NAME	
0 PLC ± 10 <sub>2</sub> ± 0.3 1 PLC ± 30 <sub>2</sub> > 10 ± 0.35 2 PLC ± 100 <sub>2</sub> > 30 ± 0.4 3 PLC ± 4 PLC ANGLES ± 3°		PRODUCT SPEC 108-5453	DOUBLE ROW HEADER ASSY 4P H-TYPE DYNAMIC D-5200 D	
MATERIAL SEE NOTE		FINISH SEE NOTE	APPLICATION SPEC 114-5246	RESTRICTED TO
		WEIGHT	SIZE A3	CAGE CODE 00779
			DRAWING NO C-1123309	REV D
		CUSTOMER DRAWING	SCALE 1:1	SHEET 2 OF 2

# Mouser Electronics

Authorized Distributor

Click to View Pricing, Inventory, Delivery & Lifecycle Information:

[TE Connectivity:](#)

[2-1123309-2](#)