

**ebm-papst St. Georgen GmbH & Co. KG**

Hermann-Papst-Str. 1  
 D-78112 St. Georgen  
 Phone +49 (0) 7724 81-0  
 Fax +49 (0) 7724 81-1309  
 info2@de.ebmpapst.com  
 www.ebmpapst.com

**Nominal data**

| Type                     | 3412 NLE          |         |
|--------------------------|-------------------|---------|
| Nominal voltage          | VDC               | 12      |
| Nominal voltage range    | VDC               | 8 .. 15 |
| Speed (rpm)              | min <sup>-1</sup> | 1950    |
| Power consumption        | W                 | 0.8     |
| Min. ambient temperature | °C                | -20     |
| Max. ambient temperature | °C                | 85      |
| Air flow                 | m <sup>3</sup> /h | 61      |
| Sound power level        | B                 | 4.0     |
| Sound pressure level     | dB(A)             | 23      |

ml = Max. load · me = Max. efficiency · fa = Free air · cs = Customer specification · ce = Customer equipment  
 Subject to change

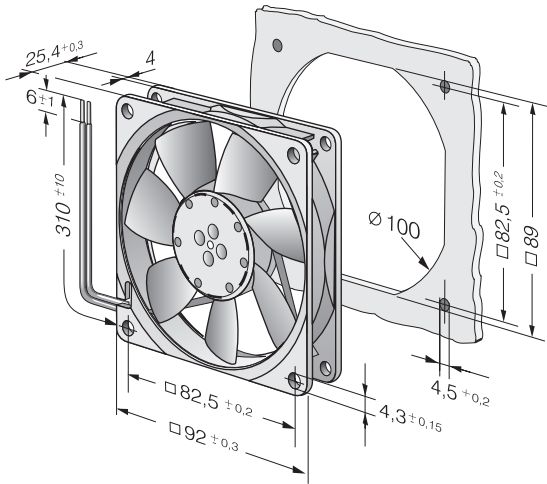


**Technical description**

|                                                |                                                        |
|------------------------------------------------|--------------------------------------------------------|
| <b>Housing material</b>                        | Glass-fiber reinforced PBT plastic                     |
| <b>Impeller material</b>                       | Glass-fiber reinforced PA plastic                      |
| <b>Weight</b>                                  | 0.100 kg                                               |
| <b>Dimensions</b>                              | 92 x 92 x 25 mm                                        |
| <b>Airflow direction</b>                       | Exhaust over struts                                    |
| <b>Direction of rotation</b>                   | Counterclockwise, viewed toward rotor                  |
| <b>Storage</b>                                 | Ball bearing                                           |
| <b>Service life L10 at 40 °C</b>               | 80000 h                                                |
| <b>Service life L10 at maximum temperature</b> | 17500 h                                                |
| <b>Cable</b>                                   | Leads AWG 24, TR 64, stripped and tin-plated.          |
| <b>Motor protection</b>                        | Protection against reverse polarity and blocked rotor. |
| <b>Approval</b>                                | VDE, CSA, UL                                           |



## Product drawing



## Curves: Air performance

