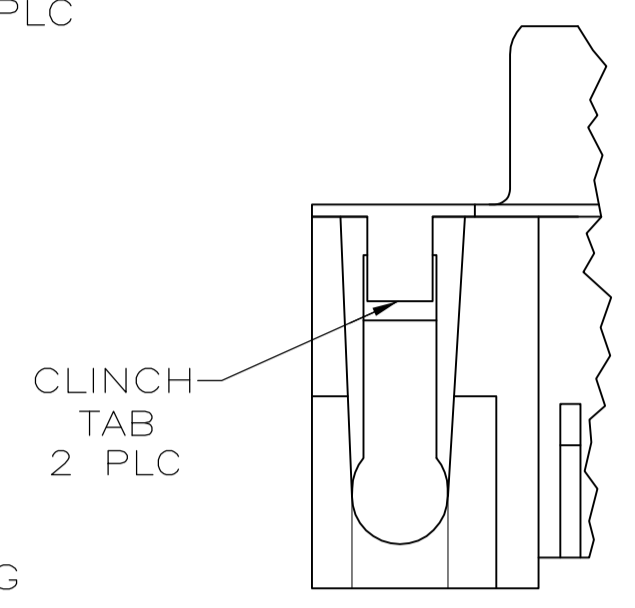
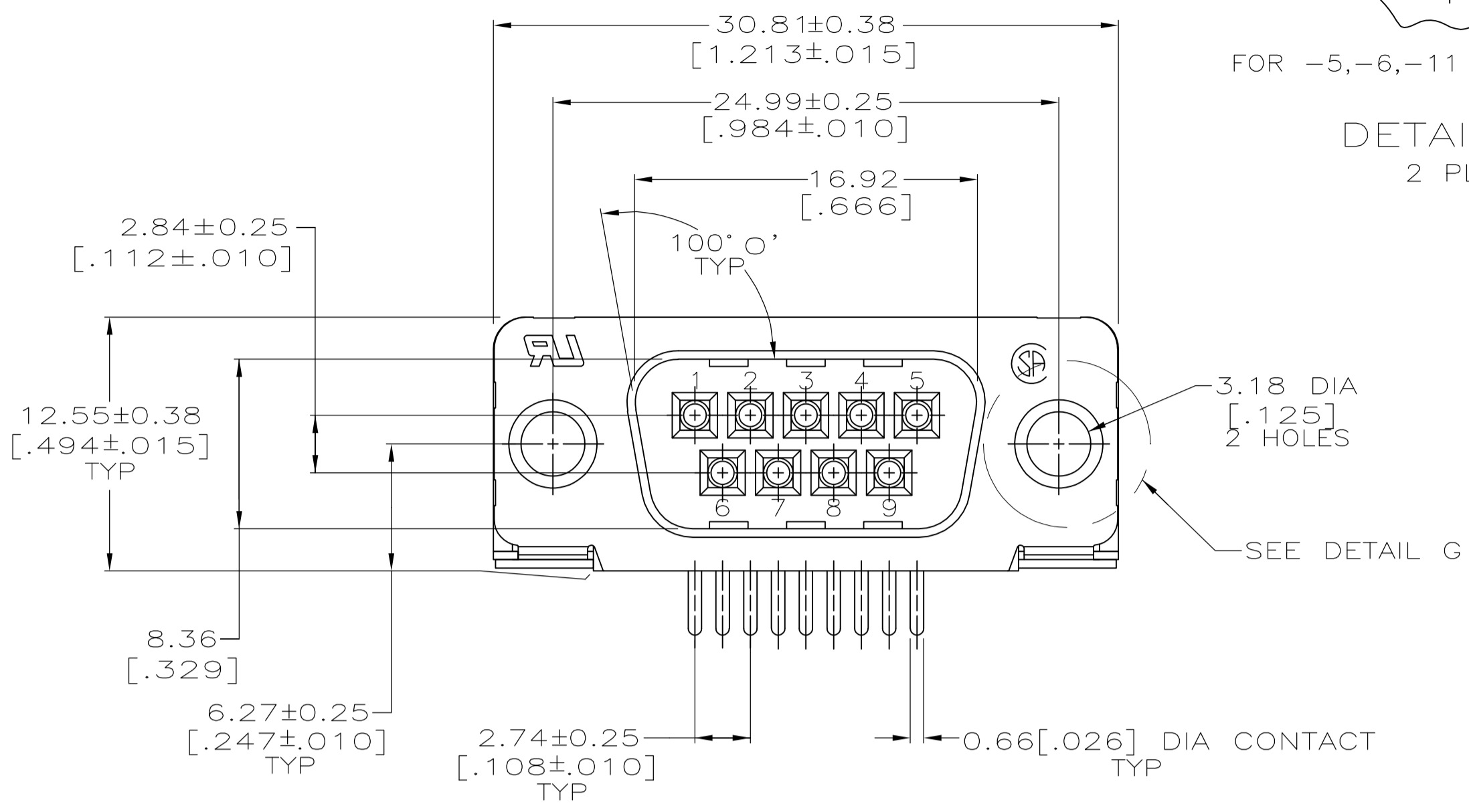


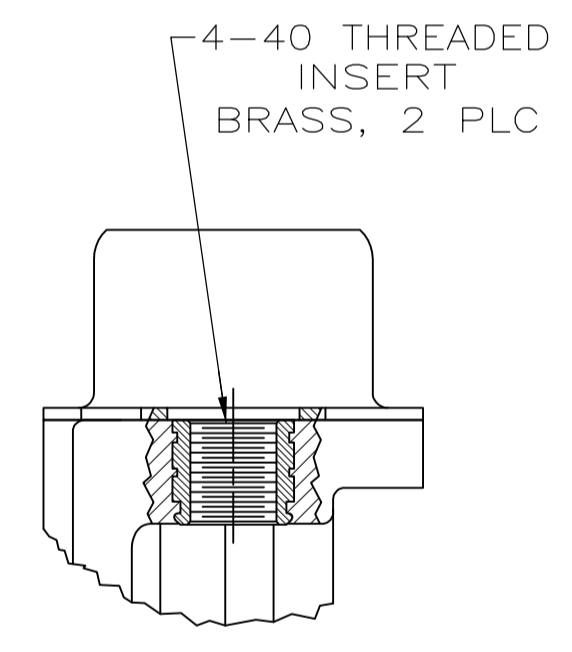
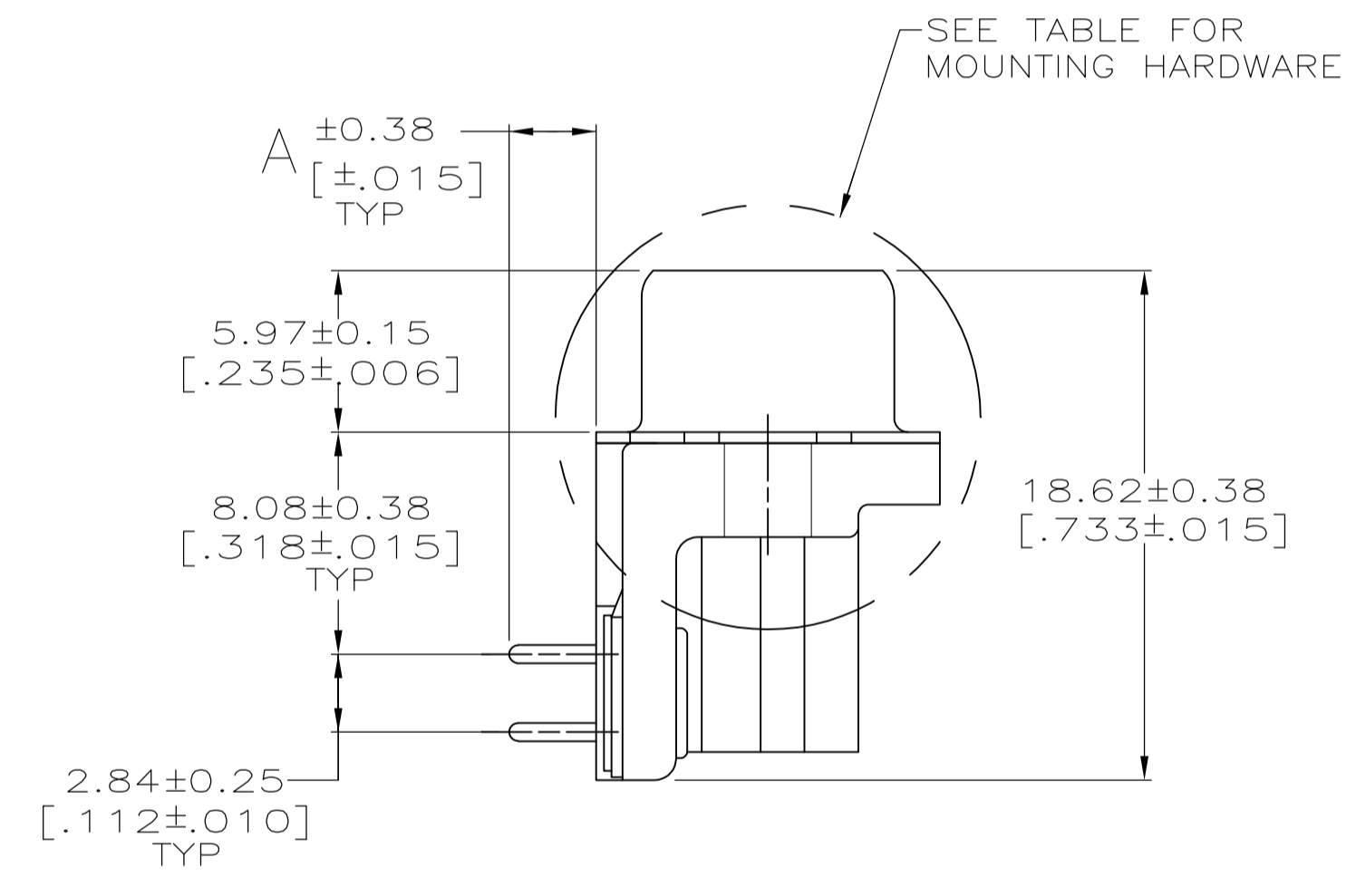
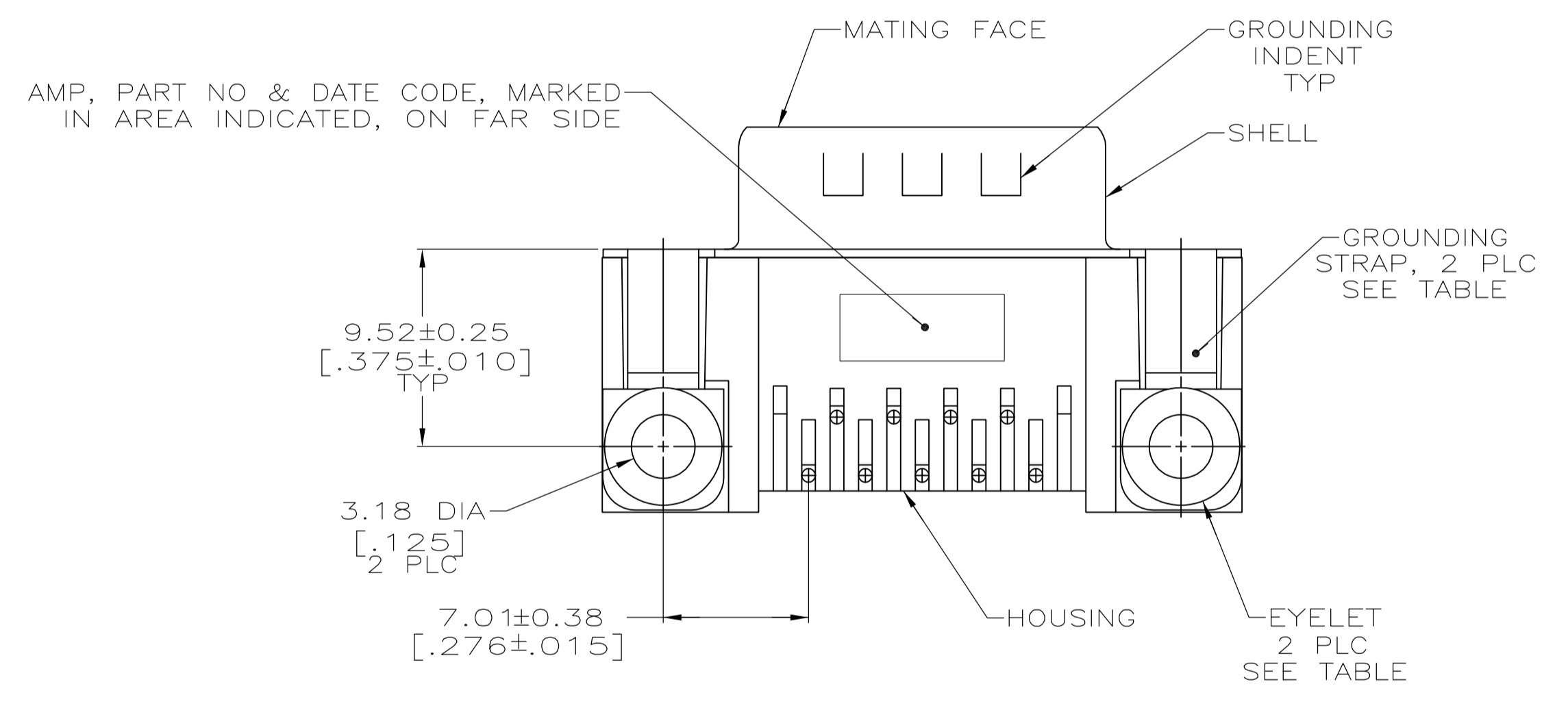
FOR -5, -6, -11 & -12 ONLY

DETAIL G  
2 PLC

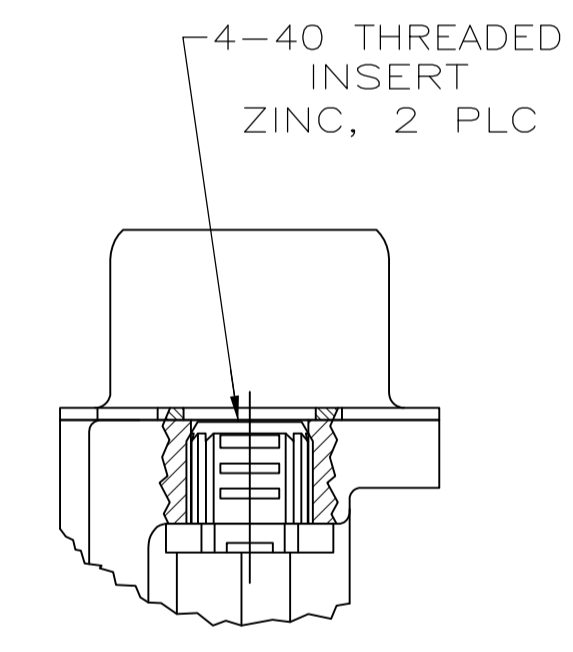


DETAIL B

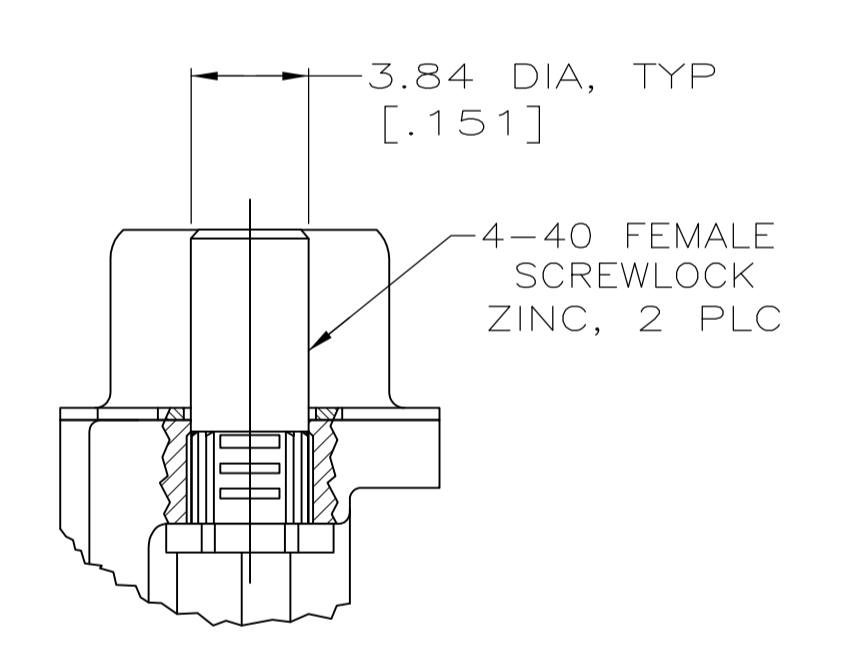
- △ HOUSING: BLACK NYLON OR POLYESTER, FLAME RETARDANT, UL 94V-0 RATED, GLASS FILLED
- CONTACTS: BRASS
- SHELLS: CARBON STEEL
- EYELETS: BRASS
- △ GOLD FLASH ON THE MATING SURFACES, 2.54µm[.000100] MIN TIN OR TIN-LEAD PLATE ON THE SOLDER END, 1.27µm[.000050] MIN NICKEL UNDERPLATE ON THE ENTIRE CONTACT.
- △ 0.76µm[.000030] MIN GOLD PLATE ON THE MATING SURFACES, 2.54µm[.000100] MIN TIN OR TIN-LEAD PLATE ON THE SOLDER END, 1.27µm[.000050] MIN NICKEL UNDERPLATE ON THE ENTIRE CONTACT
- OR-
- GOLD FLASH OVER PALLADIUM-NICKEL PLATE, 0.76µm[.000030] MIN TOTAL ON THE MATING SURFACES, 2.54µm[.000100] MIN TIN OR TIN-LEAD PLATE ON THE SOLDER END, 1.27µm[.000050] MIN NICKEL UNDERPLATE ON THE ENTIRE CONTACT.
- △ SHELLS: 2.54µm[.000100] MIN TIN OVER 1.27µm[.000050] MIN COPPER
- EYELETS: 5.08µm[.000200] MIN TIN OVER COPPER FLASH
- CONTACTS: SEE TABLE
- SCREWLOCK AND INSERT: CLEAR CHROMATE
- △ THIS CONNECTOR IS COMPATIBLE WITH TYPICAL SURFACE MOUNT SOLDERING PROCESSES CONSISTING OF 418°F MAX TEMPERATURE AND 3 MINUTES MAX EXPOSURE TIME.
- △ SCREWLOCKS AND LOCKWASHERS FOR 1-747250-3 ASSEMBLY WILL BE BULK PACKED AND SHIPPED WITH ASSEMBLIES.
- △ OBSOLETE PART NUMBER.
- △ SUPERSEDED BY 747250-2.
- △ SUPERSEDED BY 747250-6.



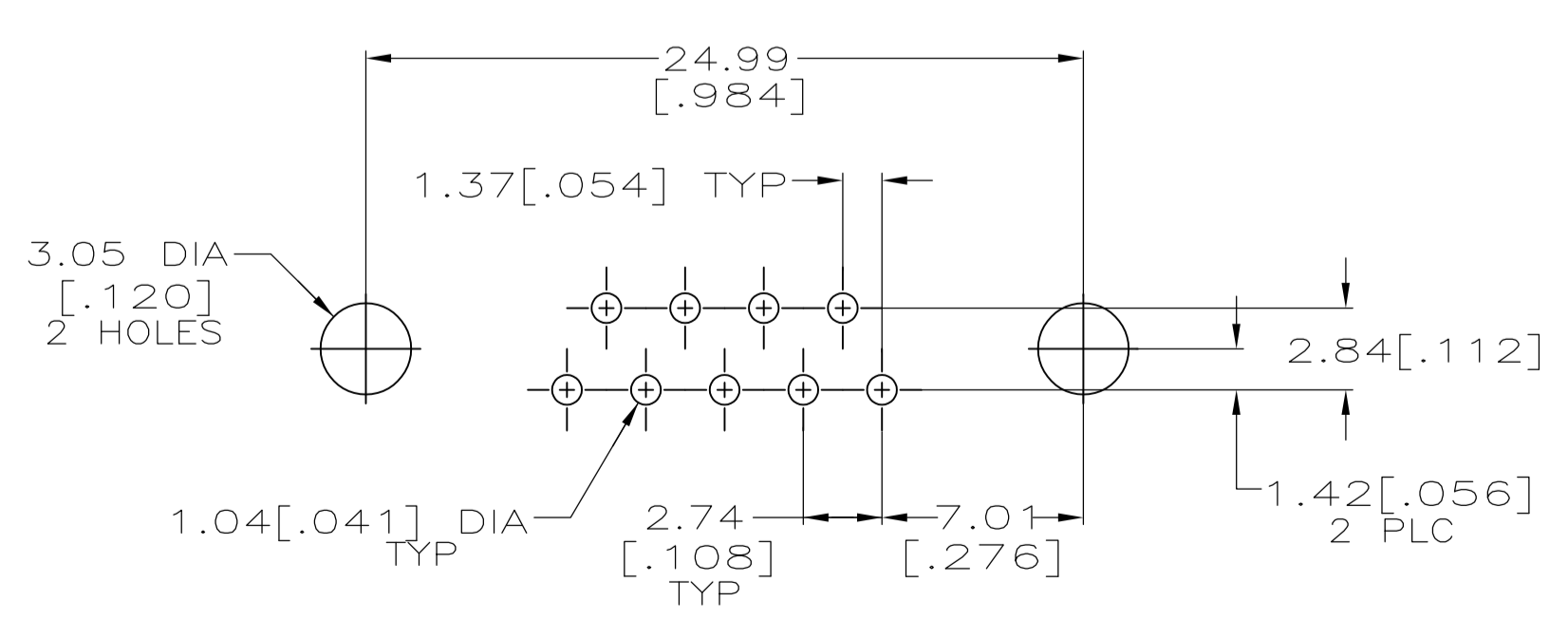
DETAIL C



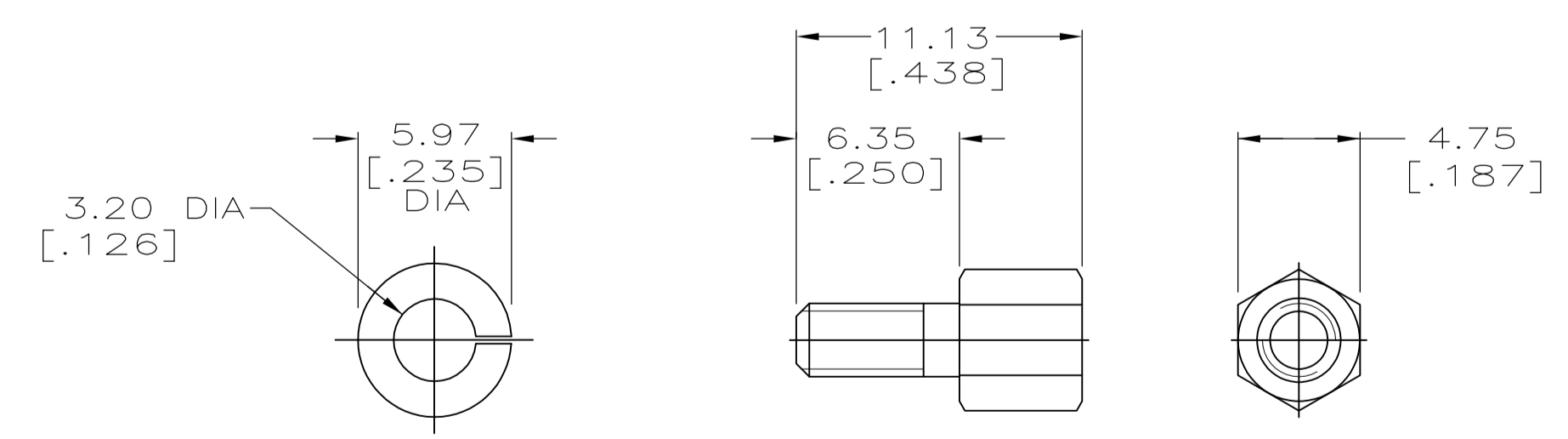
DETAIL D



DETAIL E



P.C. BOARD MOUNTING DIMENSIONS



LOCKWASHER: QTY 2 CARBON STEEL, ZINC PLATED CLEAR CHROMATE

4-40 FEMALE SCREWLOCK: QTY 2 CARBON STEEL; 3.81µm[.000150] MIN ZINC PLATED CLEAR CHROMATE

△ 6 DETAIL F

A	GROUNDING STRAPS	YES	YES	-	△ 3	△ 1-747250-5
				SEE DETAIL C	△ 3	△ 1-747250-4
				SEE DETAILS D AND F	△ 3	△ 1-747250-3
				SEE DETAIL E	△ 3	△ 1-747250-2
				SEE DETAIL D	△ 2	△ 1-747250-1
				-	△ 3	△ 1-747250-0
				-	△ 2	△ 747250-9
				-	△ 3	△ 747250-8
				-	△ 2	△ 747250-7
				-	△ 3	△ 747250-6
A	EYELETS	NO	NO	SEE DETAIL D	△ 3	△ 1-747250-0
				-	△ 3	△ 747250-9
				-	△ 2	△ 747250-8
				-	△ 2	△ 747250-7
				SEE DETAIL E	△ 3	△ 747250-6
				SEE DETAIL D	△ 2	△ 747250-5
				-	△ 3	△ 747250-4
				-	△ 2	△ 747250-3
				-	△ 3	△ 747250-2
				-	△ 2	△ 747250-1
A	MOUNTING HARDWARE	YES	YES	-	△ 2	△ 747250-1
				-	△ 2	△ 747250-1
				CONTACT FINISH	PART NUMBER	

THIS DRAWING IS A CONTROLLED DOCUMENT. DIMENSIONING AND TOLERANCING PER ASME Y14.5M-2009

W.G. LENKER 05 OCT 89  
R. STONE 06 FEB 90  
M.D. GALLOWAY 06 FEB 90

STE TE Connectivity

PLUG ASSEMBLY, SIZE 1, 9 POSITION, RIGHT ANGLE, FRONT METAL SHELL, .318 SERIES, AMPLIMITE® HD-20

108-40025

114-40010

00779 747250

CUSTOMER DRAWING SCALE 4:1 SHEET 1 OF 1 REV W

# Mouser Electronics

Authorized Distributor

Click to View Pricing, Inventory, Delivery & Lifecycle Information:

[TE Connectivity:](#)

[747250-4](#)